

MOUNTING OF A MOTOR AND FLANGE TO A LINEAR MOTION SYSTEM

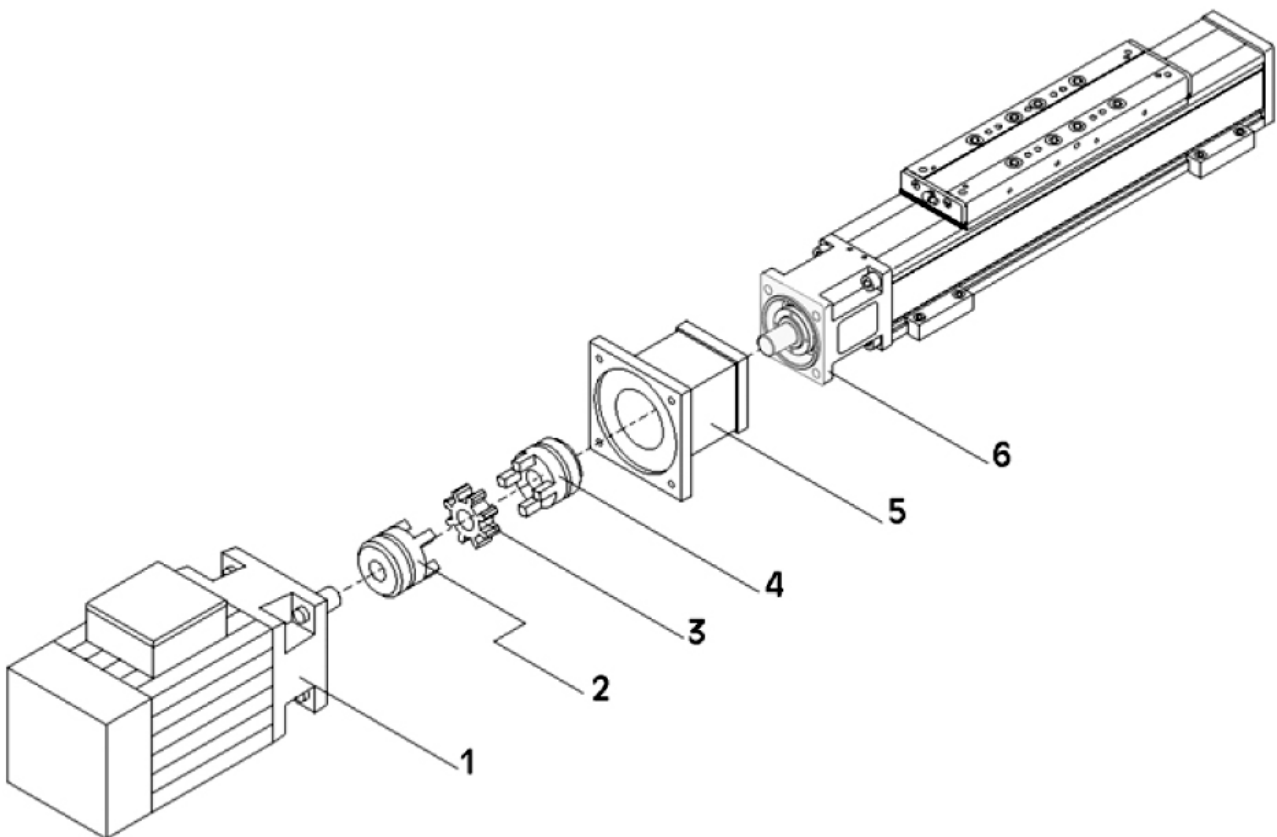
THOMSON™

Linear Motion. Optimized.

Mounting a drive motor to the flange of a linear motion system

The electrical installation and the checking of the direction of rotation may only be carried out by a licensed electrician. Always check the direction of motor rotation in association with the safety limit switches (if necessary, change the direction of rotation by connecting the motor differently) before mounting the motor. Then proceed as described below:

1. Attach the coupling half (4) to the drive shaft of the linear motion system.
2. Attach the motor adapter flange (5) to the flange of the linear motion system (6) with four screws.
3. Push the toothed wheel (3) onto the coupling half on the linear motion system.
4. Mount the second coupling half (2) on the drive shaft of the motor (1).
5. Attach the motor with the coupling half to the motor adapter flange (5) with four screws. Ensure that no axial pressure is exerted on the motor shaft. If necessary, correct the distance between the two coupling halves.



1. Motor
2. Coupling half
3. Toothed wheel
4. Coupling half
5. Adapter flange
6. Flange

Make sure all bolts and screws are tightened according to the tables on the next page.

Tightening torque tables

TABLE 1: ROTEX GS TYPE 1.0/1.1

RotexGS size	Setscrew	Tightening torque
5	M2	2,5 Nm
7	M3	3,5 Nm
9, 12, 14	M4	5,0 Nm
19, 24	M5	10 Nm
28, 38	M8	15 Nm
42, 48	M8	20 Nm
55, 65	M10	20 Nm
75	M10	25 Nm



TABLE 2:
ROTEX GS TYPE 2.0/2.1/2.5/2.6/4.0/5.0/6.0/6.5

RotexGS size	Clamp.screw	Tightening torque
5	M1,2	- Nm
7	M2	0,37 Nm
9	M2,5	0,76 Nm
12, 14	M3	1,34 Nm
19, 24	M6	10,5 Nm
28, 38	M8	25 Nm
42	M10	69 Nm
48, 55, 65	M12	120 Nm
75	M16	295 Nm

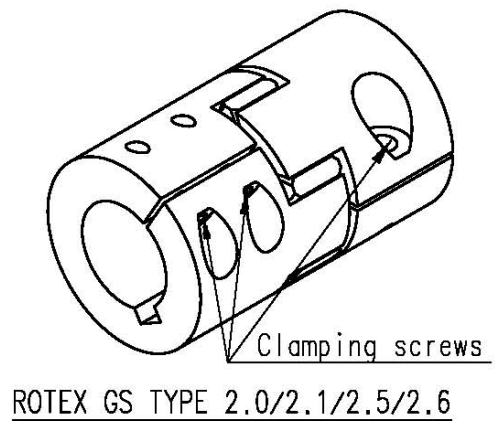
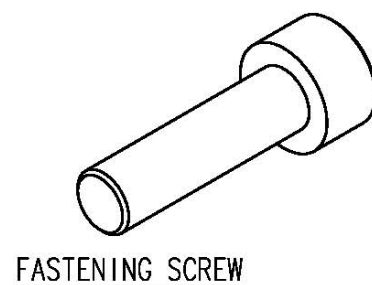
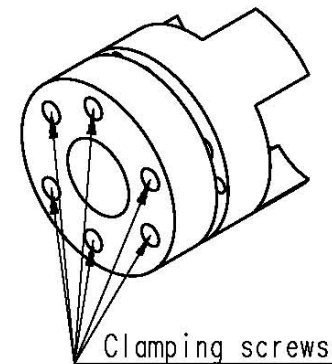


TABLE 3: FASTENING SCREW

Screw Dim.	Quality	Tightening torque
M3	8.8	1,35 Nm
M4	8.8	3,3 Nm
M5	8.8	6,5 Nm
M6	8.8	11,1 Nm
M8	8.8	26,6 Nm
M10	8.8	52,5 Nm
M12	8.8	91,2 Nm
M14	8.8	145 Nm



Technical changes to improve the performance of the equipment may be made without notice!
All rights reserved. No part of this work may be reproduced in any form (by printing, photocopying, microfilm or any other method) or processed, copied or distributed by electronic means without the written permission of Thomson.

EUROPE**United Kingdom**

Thomson
Office 9, The Barns
Caddsdow Business Park
Bideford
Devon, EX39 3BT
Phone: +44 (0) 1271 334 500
E-mail: sales.uk@thomsonlinear.com

Germany

Thomson
Nürtinger Straße 70
72649 Wolfschlugen
Phone: +49 (0) 7022 504 0
Fax: +49 (0) 7022 504 405
E-mail: sales.germany@thomsonlinear.com

France

Thomson
Phone: +33 (0) 243 50 03 30
Fax: +33 (0) 243 50 03 39
E-mail: sales.france@thomsonlinear.com

Italy

Thomson
Largo Brughetti
20030 Bovisio Masciago
Phone: +39 0362 594260
Fax: +39 0362 594263
E-mail: info@thomsonlinear.it

Spain

Thomson
E-mail: sales.esm@thomsonlinear.com

Sweden

Thomson
Estridsväg 10
29109 Kristianstad
Phone: +46 (0) 44 24 67 00
Fax: +46 (0) 44 24 40 85
E-mail: sales.scandinavia@thomsonlinear.com

SOUTH AMERICA**Brazil**

Thomson
Av. Tamboré, 1077
Barueri, SP – 06460-000
Phone: +55 (11) 3616-0191
Fax: +55 (11) 3611-1982
E-mail: sales.brasil@thomsonlinear.com

USA, CANADA and MEXICO

Thomson
203A West Rock Road
Radford, VA 24141, USA
Phone: 1-540-633-3549
Fax: 1-540-633-0294
E-mail: thomson@thomsonlinear.com
Literature: literature.thomsonlinear.com

ASIA**Asia Pacific**

Thomson
E-mail: sales.apac@thomsonlinear.com

China

Thomson
Rm 2205, Scitech Tower
22 Jianguomen Wai Street
Beijing 100004
Phone: +86 400 6661 802
Fax: +86 10 6515 0263
E-mail: sales.china@thomsonlinear.com

India

Thomson
c/o Fluke Technologies Pvt. Ltd.
#424, Deodhar Center,
Marol Maroshi Road,
Andheri – E, Mumbai – 400059 India
Phone: +91 22 29207641
E-mail: sales.india@thomsonlinear.com

Japan

Thomson
Minami-Kaneden 2-12-23, Suita
Osaka 564-0044 Japan
Phone: +81-6-6386-8001
Fax: +81-6-6386-5022
E-mail: csjapan@scgap.com

Korea

Thomson
F7 Ilsong Bldg, 157-37
Samsung-dong, Kangnam-gu,
Seoul, Korea (135-090)
Phone: +82 2 6917 5049
Fax: +82 2 528 1456
E-mail: sales.korea@thomsonlinear.com