

Linear Motion Systems

www.thomsonlinear.com

THOMSON[®]

Linear Motion. Optimized.[™]

A REGAL REXNORD BRAND



Linear Motion. Optimized.™

A REGAL REXNORD BRAND

Thomson - the Choice for Optimized Motion Solution

Often the ideal design solution is not about finding the fastest, sturdiest, most accurate or even the least expensive option. Rather, the ideal solution is the optimal balance of performance, life and cost.

Quickly Configure the Optimal Mechanical Motion Solution

Thomson has several advantages that makes us the supplier of choice for motion control technology.

- Thomson owns the broadest standard product offering of mechanical motion technologies in the industry.
- Modified versions of standard product or white sheet design solutions are routine for us.
- Choose Thomson and gain access to over 75 years of global application experience in industries including packaging, factory automation, material handling, medical, clean energy, printing, automotive, machine tool, aerospace and defense.

A Name You Can Trust

A wealth of product and application information as well as 3D models, software tools, our distributor locator and global contact information is available at www.thomsonlinear.com/contact. Talk to us early in the design process to see how Thomson can help identify the optimal balance of performance, life and cost for your next application. And, call us or any of our 2000+ distribution partners around the world for fast delivery of replacement parts.

Local Support Around the Globe

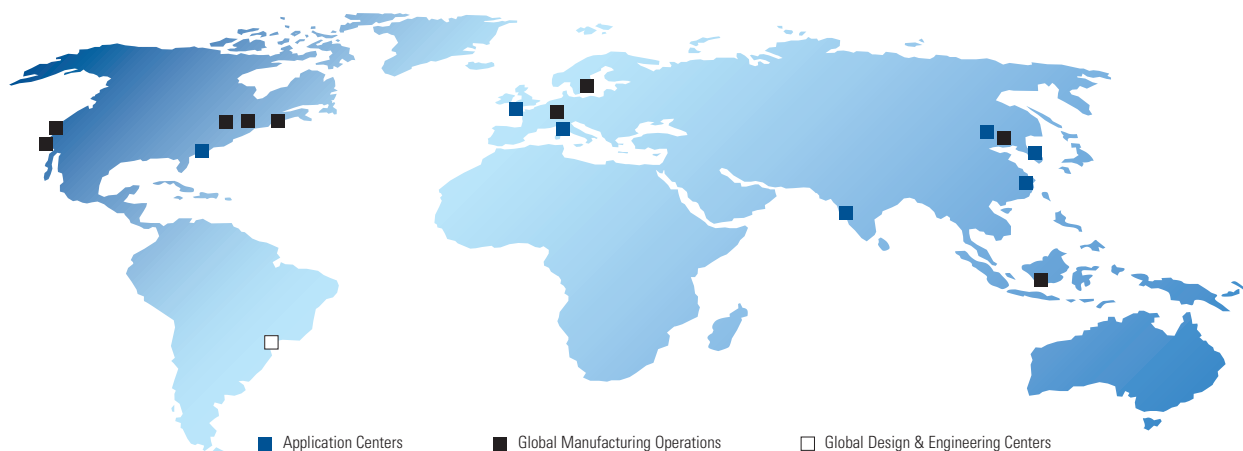


Table of Contents

Thomson Linear Motion Systems	4 - 5	Linear Motion Systems with Belt Drive and Slide Guide	90
RediMount™ Adapter Kit	6	Overview	90 - 91
Simple Product Selection with Linear Motioneering®	7	M50	92 - 93
Linear Motion Systems Applications	8 - 9	M55	94 - 95
		M75	96 - 97
		M100	98 - 99
Linear Motion Systems with Lead or Ball Screw Drive and Ball Guide	10	Linear Motion Systems with Belt Drive and Wheel Guide	100
Overview	10 - 13	Overview	100 - 101
WM40S	14 - 15	WH50	102 - 103
WM40D	16 - 17	WH80	104 - 105
WM60D	18 - 19	WH120	106 - 107
WM60S	20 - 21	MLSH60Z	108 - 109
WM60X	22 - 23		
WM80D	24 - 25	Linear Lifting Units	111
WM80S	26 - 27	Overview	111
WM120D	28 - 29	WHZ50	112 - 113
WV60	30 - 31	WHZ80	114 - 115
WV80	32 - 33		
WV120	34 - 35	Accessories	117
MLSM60D	36 - 37	Accessory Index	117
MLSM80D	38 - 39	Mounting Kits	118 - 122
M55	40 - 41	Cover and Protection Kits	123 - 127
M75	42 - 43	Gears and Transmission Kits	128 - 142
M100	44 - 45	Electrical Feedback Devices	143 - 153
2HB10	46 - 47	Non-driven Linear Motion Systems	154 - 159
2HB20	48 - 49	Non-RediMount Linear Motion Systems	160 - 171
2RB12	50 - 51		
2RB16	52 - 53	Additional Technical Data	172
		Additional Technical Data Tables	172 - 175
Units with Inch Interface		Ordering Keys	176
2DB08	54 - 55	Keys for Units with Lead or Ball Screw Drive and Ball Guides	176 - 182
2DB120	56 - 57	Keys for Units with Ball Screw Drive and Slide Guides	183
2DB12J	58 - 59	Keys for Units with Belt Drive and Ball Guides	184 - 187
2DB160	60 - 61	Keys for Units with Belt Drive and Slide Guides	188
2DB16J	62 - 63	Keys for Units with Belt Drive and Wheel Guides	189 - 190
		Keys for Linear Lifting Units	191
Linear Motion Systems with Ball Screw Drive and Slide Guide	64	Keys for Non-driven Units	192 - 193
Overview	64 - 65		
M55	66 - 67	Terminology	194
M75	68 - 69	Basic Linear Motion System Terminology	194
M100	70 - 71		
		Glossary	195
Linear Motion Systems with Belt Drive and Ball Guide	72	A - Belt D	195
Overview	72 - 73	Belt G - C	196
WH40	74 - 75	D - E	197
WM60Z	76 - 77	G - M	198
WM80Z, standard carriage	78 - 79	N - Sc	199
WM80Z, short carriage	80 - 81	Si - W	200
M55	82 - 83		
M75	84 - 85		
M100	86 - 87		
MLSM80Z	88 - 89		



Thomson Linear Motion Systems

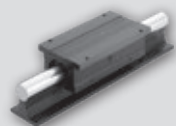
The optimal balance of performance, life and cost

Thomson has one of the most competitive and comprehensive product portfolios available today. The range covers the smallest and most compact linear motion systems to the biggest and most robust. Our wide range of guide and drive systems can be configured economically and work in harsh environments, at high speeds, and in high-precision applications.



1969

Shaft Rail Assemblies of model **1CA/1CB** released



1981

Wiesel – the world's first true **linear motion system** presented



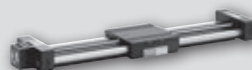
1982

First generation **Movopart (M90/M140)** linear motion systems released



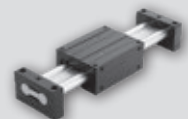
1988

Release of the **Dual Shaft Rail Assemblies (2DB/2EB)** family



1990

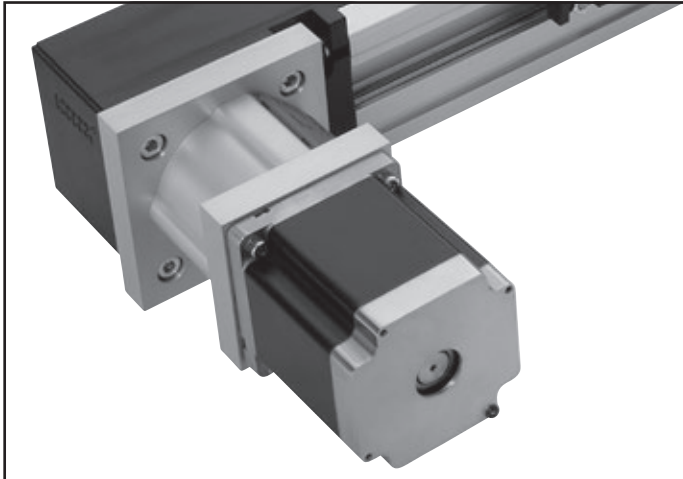
Release of the **Twin Shaft Web (2CA/2CB)** range



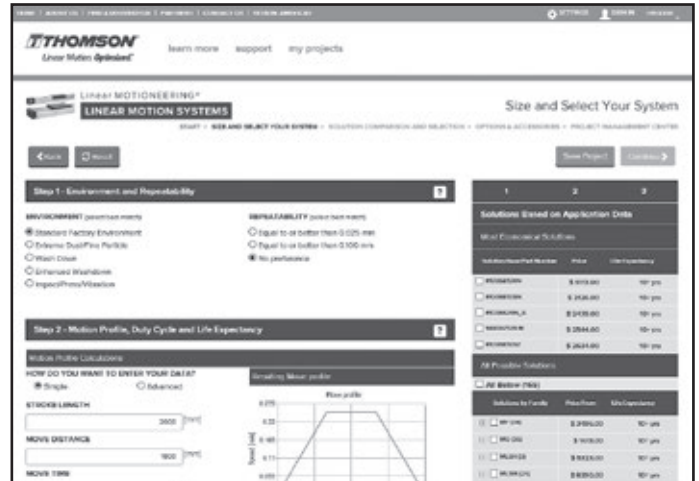
Thomson Linear Motion Systems

The optimal balance of performance, life and cost

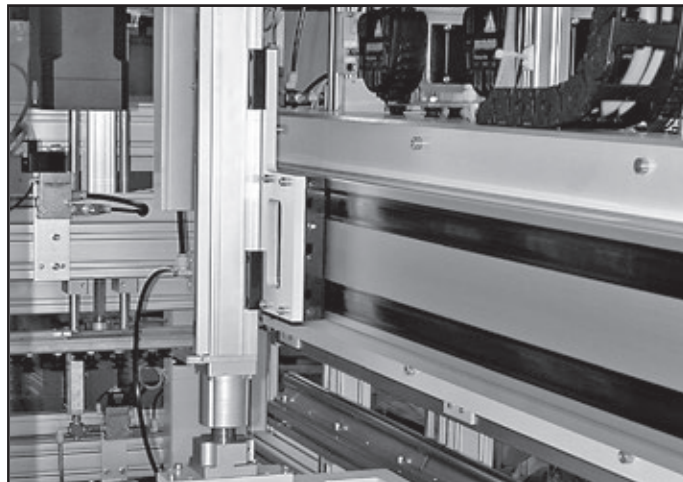
Thomson has decades of innovation and application experience. A diverse offering of multiple linear motion system technologies enables Thomson to provide you with the optimal balance of performance versus installed cost for your application.



RediMount™ adapter kit as standard for quick and easy motor mounting



Linear Motioneering for quick and easy sizing and selection

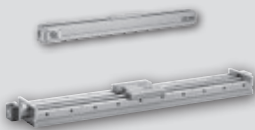


Tap into our vast application library



Thousands of successful applications all over the world

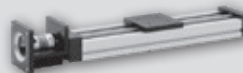
1995
Movopart M50 and the 2RB range presented



1997
Movopart generation two (M75/M100) and the 2HB range released



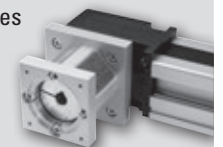
1998
Microstage miniature style linear motion systems released



2003
The MLS range of linear motion system presented



2018
RediMount™ as standard on all major Thomson linear motion system families





RediMount™ Adapter Kit

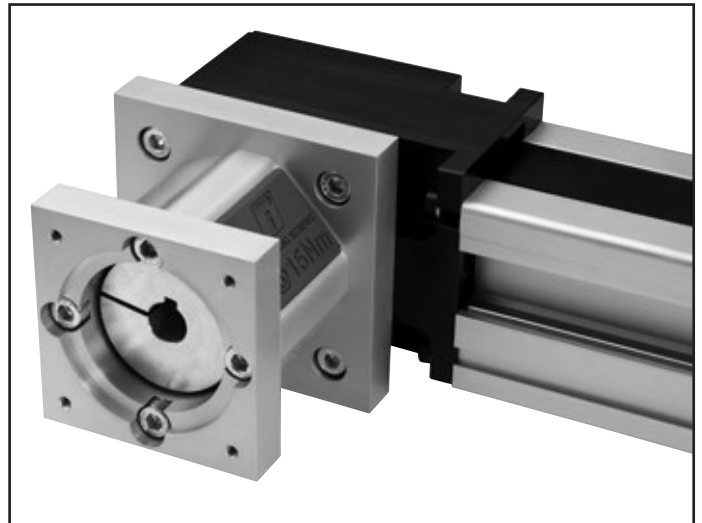
Fast, Accurate and Hassle-Free Motor Mounting

The popular and easy to use Thomson RediMount motor mounting adapter kit is now available as standard on all Thomson linear motion systems, making the whole process of choosing and mounting a motor much faster and easier.

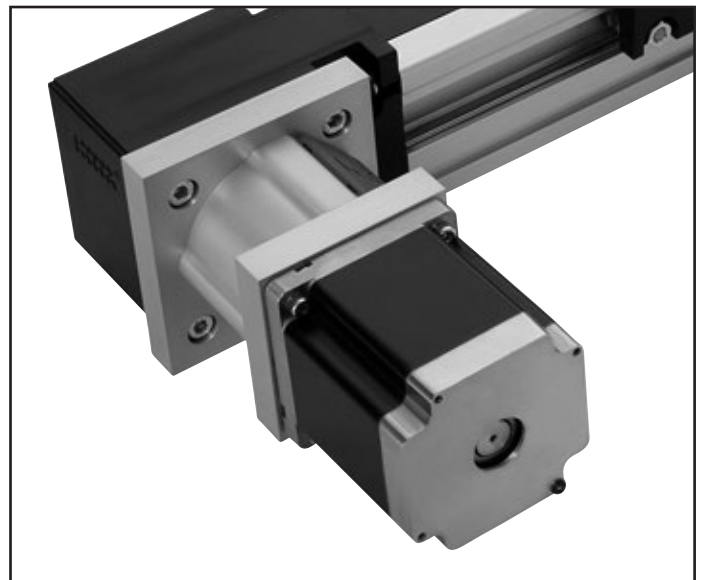
Designed to accommodate more than 500 different motors and gearheads from a variety of manufacturers, the Thomson RediMount adapter kit eliminates the need for custom-made, intermediate flanges between your choice of linear motion system and motor or gearhead. With the optimized RediMount kit, you'll be ready to order your complete linear motion system for your application within five minutes.

A RediMount kit includes a flange and coupling to mount to your preferred motor or gearhead. The flange has been machined to exactly match the motor pilot and mounting holes, while the coupling has been bored to match the diameter of the motor shaft and the corresponding shaft key. All necessary hardware is included.

Each RediMount kit alternative is identified by a three-character code that can be designated within the overall linear motion system part number. You can configure this RediMount code as well as your entire part number on www.LinearMotioneering.com. There, you can enter your application parameters to configure a solution that provides an optimal balance of performance, life, and cost. Once you've sized your system and ordered and received your linear motion system, installation is easy.



The linear motion system will arrive with the motor interface flange mounted to the unit. In a separate bag, you will find the motor coupling half, the motor bolts and the plug.



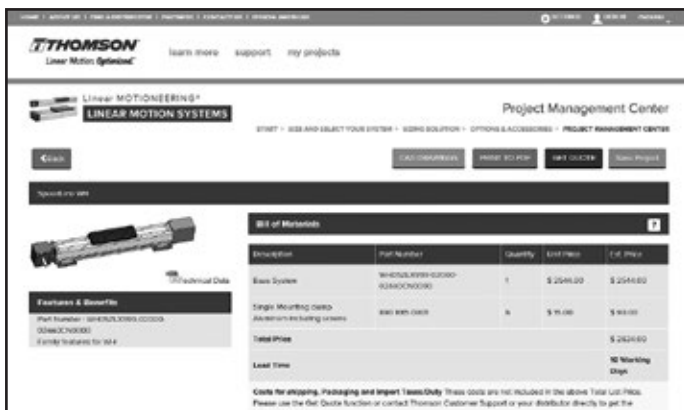
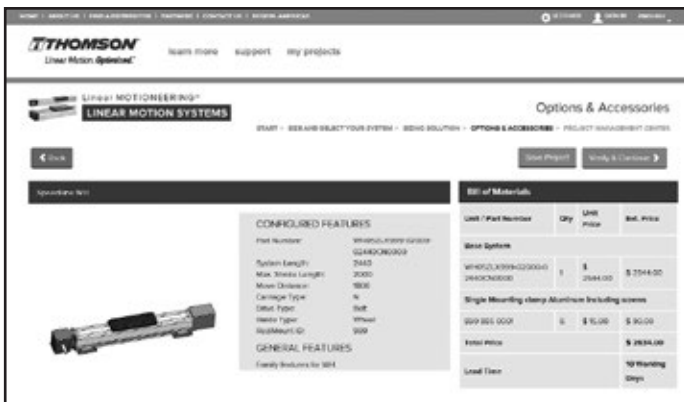
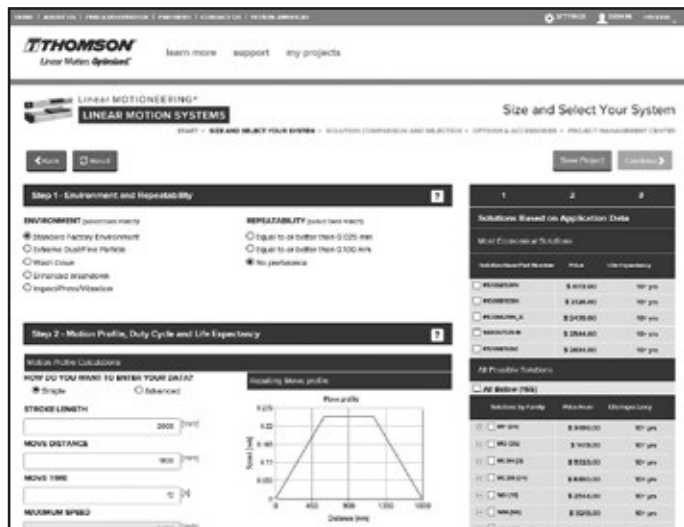
Insert the motor onto the interface flange, attach and tighten the included motor bolts, and tighten the coupling to the motor shaft. Finally, secure the plug over the coupling access window.



Simple Product Selection with Linear Motioneering®

Online Product Selection

The Linear Motioneering sizing and selection tool is designed to make it simple to choose the right linear motion system for your application. Simply enter the basic parameters for your application and let Linear Motioneering do all the work. Once a solution is selected, you can add accessories and options, download a CAD model, and get price and delivery time.



1. Visit www.LinearMotiveering.com.
2. Enter your application parameters.
3. Choose a unit from the list of solutions, optimized for your application.
4. Add options and accessories to create your bill of material, with price and lead time.
5. Request a quote. Costs for shipping, packaging and import taxes should be requested directly from Thomson Customer Support.
6. Place an order.



Linear Motion Systems Applications

Decades of Application Experience

Thomson has one of the broadest ranges of linear motion systems on the market. We also provide a large number of components and accessories, such as gearheads, intermediate shafts, mounting kits and sensors to help optimize a solution for your application.

Handling and packaging

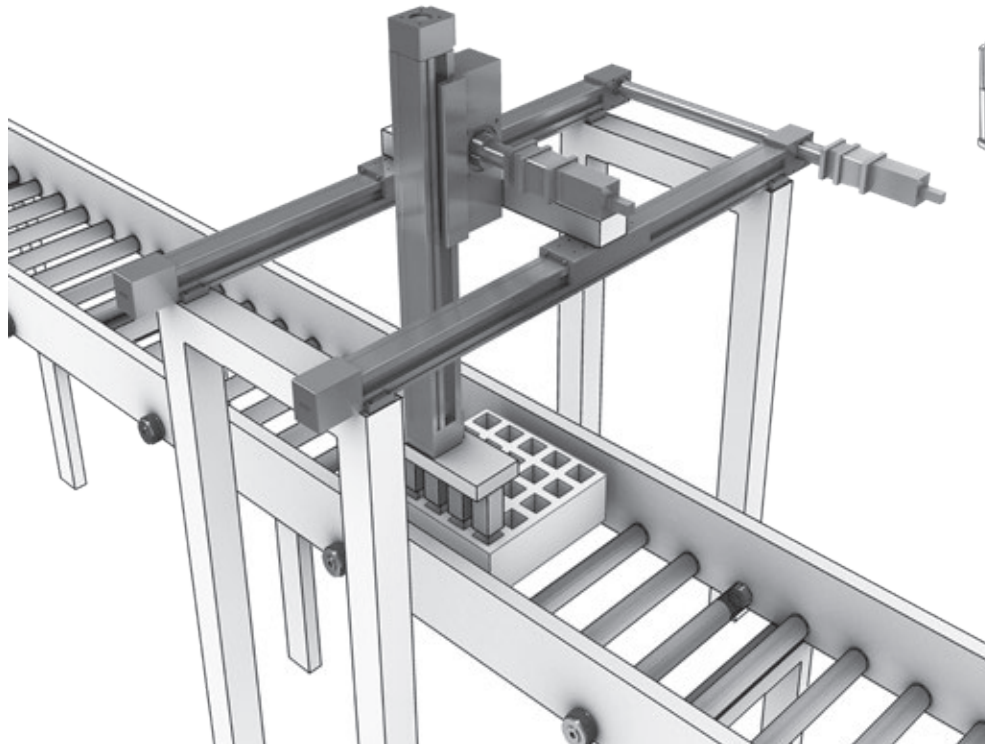
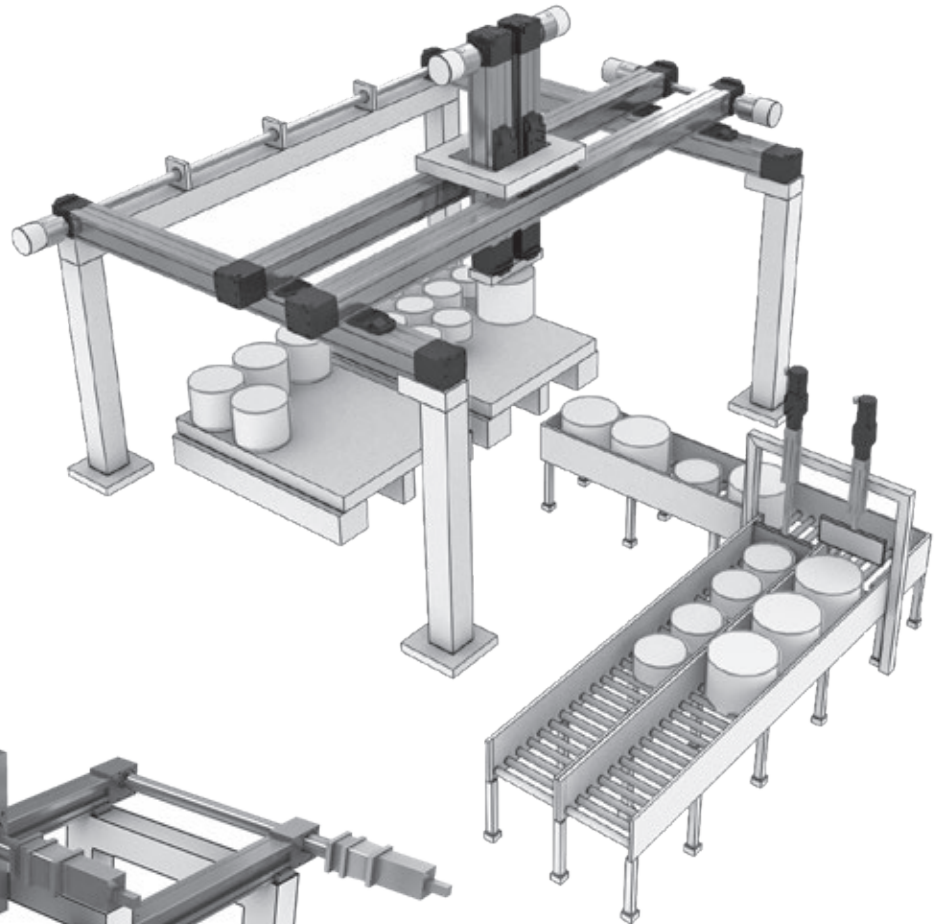
Use linear motion systems for economical point-to-point transport motion. Speed, long stroke and/or environmental protection may be critical parameters that many times can be addressed by using Thomson linear motion systems.

Printing and scanning

Linear motion systems can cover the large areas, high speeds and acceleration rates at the accuracy required for this type of equipment.

Food processing

Fully enclosed units, also available with enhanced environmental protection, make linear motion systems suited for the often wet and humid conditions in the food industry where cleaning with high-pressure water is common.



Filling and dispensing

Relatively short, rapid movements at high duty cycle, low load and medium accuracy are common in these types of machines. Linear motion systems are often used in these applications and especially those with belt drives.

Linear Motion Systems Applications

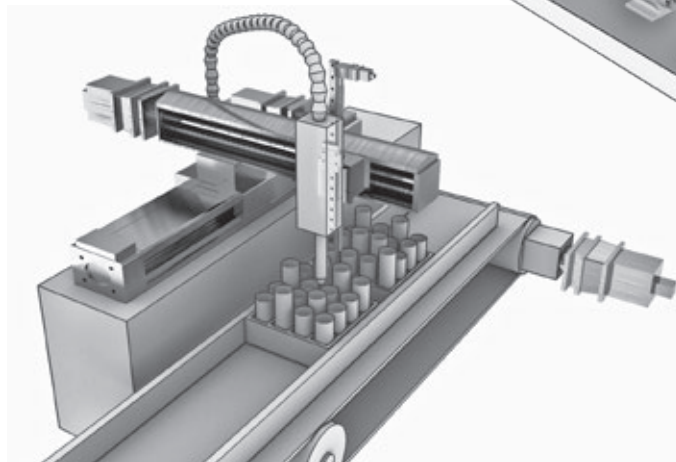
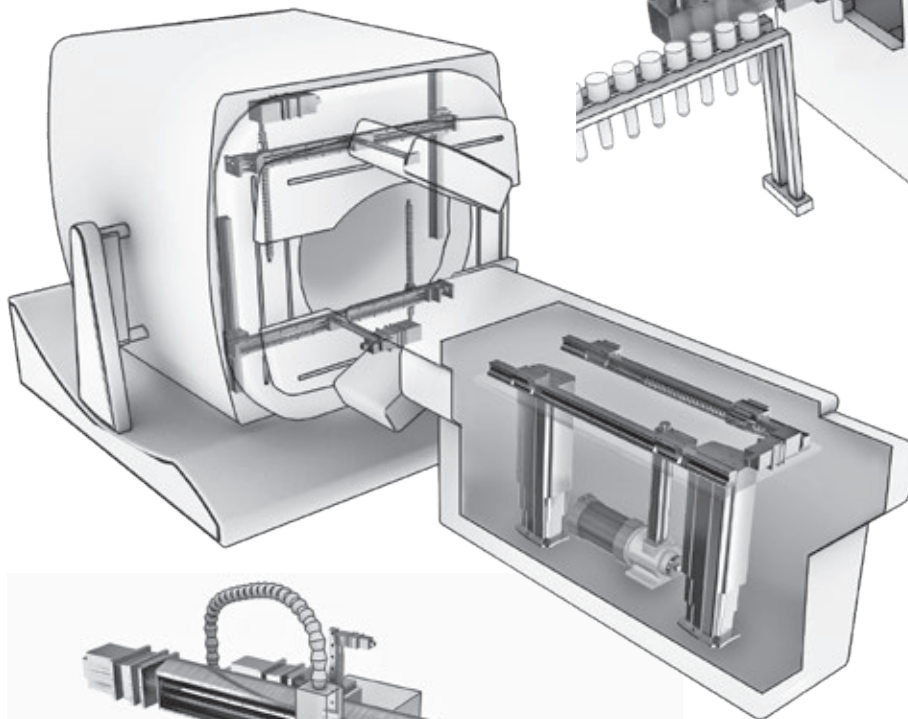
Decades of Application Experience

Factory automation

Factory automation is a general term for a large range of applications, and the requirements for speed, load, accuracy and other parameters vary. The variety of Thomson linear motion systems makes them a versatile and flexible building block in the design of factory automation equipment.

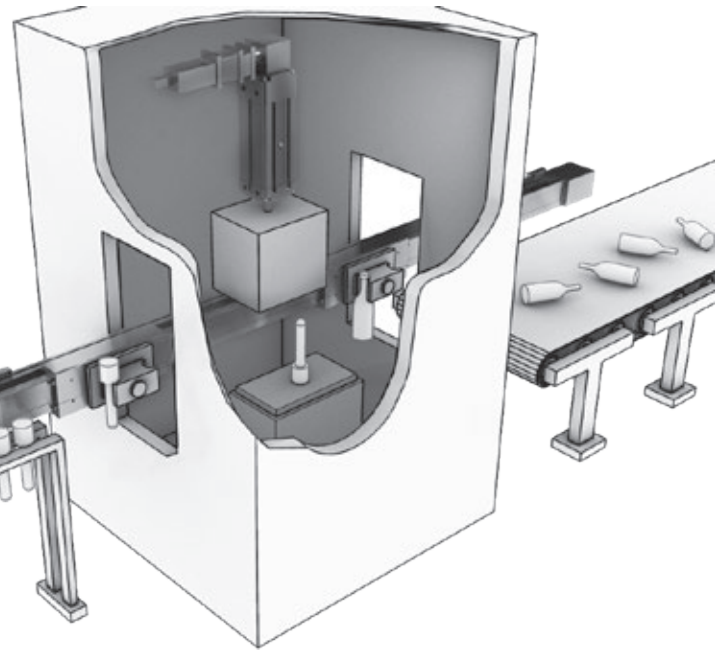
Machining, test and measurement

This type of equipment requires linear motion systems with the highest accuracy, stiffness and rigidity.



Lab automation

In this type of equipment, relatively light loads have to be moved short distances accurately and quickly. It is also important to keep the smallest possible footprint and not contaminate the environment. Thomson offers several linear motion systems that are well suited for these types of applications.

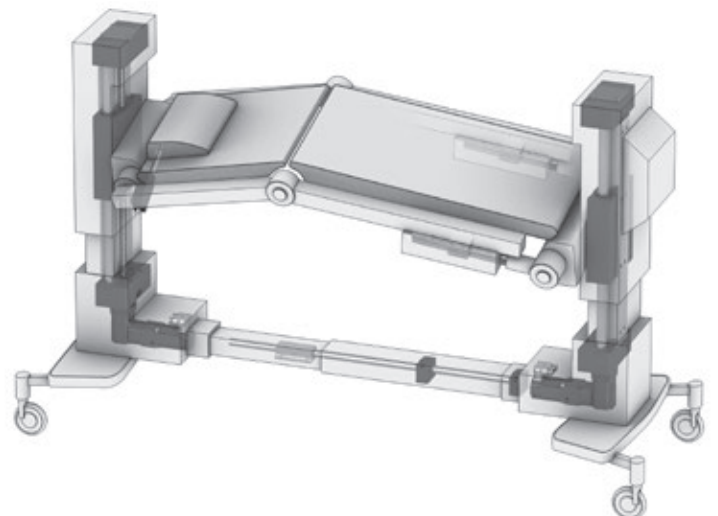


Medical diagnostics/treatment equipment

Given the precision of these devices, linear unit systems need to be quiet and smooth, while at the same time, able to handle high loads accurately. Reliability, safety and low maintenance are also crucial parameters in medical equipment. Thomson has successfully supplied linear motion systems to this type of equipment for many decades.

Patient handling/ergonomic lifting devices

You can find linear motion systems in many types of adjustable tables, lifting devices, examination equipment and different kind of manipulators.





Linear Motion Systems with Ball Screw Drive and Ball Guide

Overview

PowerLine WM



Features

- Can be installed in any orientation
- Patented guide system
- Patented self-adjusting plastic cover band¹
- Patented screw support system

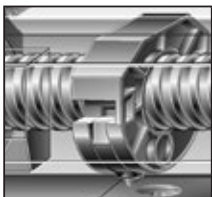
Parameter		WM40S	WM40D	WM60D	WM60S	WM60X	WM80D	WM80S	WM120D
Profile size (width × height)	[mm]	40 × 40	40 × 40	60 × 60	60 × 60	60 × 60	80 × 80	80 × 80	120 × 120
Stroke length (S _{max}), maximum	[mm]	2000	1950	11000	10390	10340	11000	10540	11000
Linear speed, maximum	[m/s]	0,25	0,25	2,5	2,5	0,25	2,5	2,5	2,0
Dynamic carriage load (F _z), maximum	[N]	600	600	2000	1400	2000	3000	2100	6000
Remarks		single ball nut	double ball nuts	double ball nuts	single ball nut	left/right screw	double ball nuts	single ball nut	double ball nuts
Page		14	16	18	20	22	24	26	28

¹ Not on WM40 units

WM-Series Technical Presentation

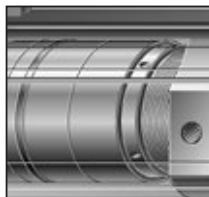
Screw support

Patented screw support system permits high speeds at long stroke lengths while reducing the available stroke with a minimum.



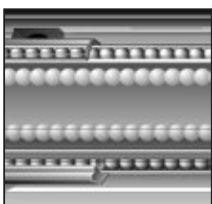
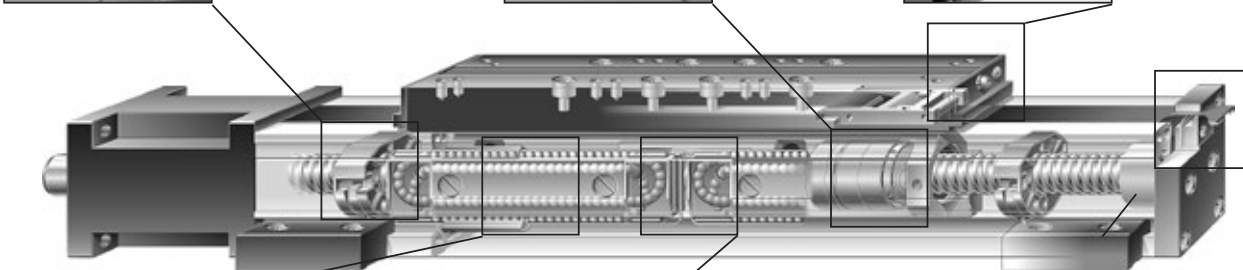
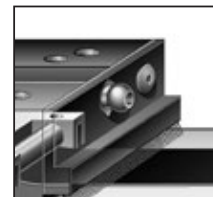
Double ball nuts

Double pre-tensioned ball nuts improve the accuracy and allow re-tensioning, increasing the lifetime of the unit.



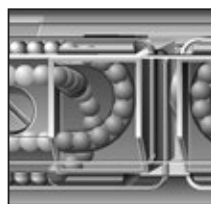
Central lubrication

One central lubrication point on the carriage services the entire unit resulting in a minimum maintenance requirement.



Ball guides

Integrated patented ball guides with hardened steel tracks for optimum performance.



Ball cages

The balls in the ball guides are protected by a ball cage which ensures a long life.



Cover band

The patented self-adjusting cover band protect the unit from the penetration of dirt, dust and liquids.

Note! the unit is pictured without a RediMount™ flange

Linear Motion Systems with Lead or Ball Screw Drive and Ball Guide

Overview

PowerLine WV



Features

- Can be installed in any orientation
- Patented self-adjusting plastic cover band
- Patented screw support system
- Require external guides

Parameter		WV60	WV80	WV120
Profile size (width × height)	[mm]	60 × 60	80 × 80	120 × 120
Stroke length (S _{max}), maximum	[mm]	11000	11000	11000
Linear speed, maximum	[m/s]	2,5	2,5	2,0
Dynamic carriage load (F _z), maximum	[N]	-	-	-
Remarks		double ball nuts the units has no guides	double ball nuts the units has no guides	double ball nuts the units has no guides
Page		30	32	34

Forceline MLSM



Features

- Can be installed in any orientation
- Patented guide system
- Patented plastic cover band
- Patented screw support system

Parameter		MLSM60D	MLSM80D
Profile size (width × height)	[mm]	160 × 65	240 × 85
Stroke length (S _{max}), maximum	[mm]	4985	4810
Linear speed, maximum	[m/s]	2,5	2,0
Dynamic carriage load (F _z), maximum	[N]	6000	8000
Remarks		double ball nuts	double ball nuts
Page		36	38



Linear Motion Systems with Lead or Ball Screw Drive and Ball Guide

Overview

Movopart M



Features

- Can be installed in any orientation
- Self-adjusting stainless steel cover band
- Internal ball guides
- Wash down protected versions available

Parameter		M55	M75	M100
Profile size (width × height)	[mm]	58 × 55	86 × 75	108 × 100
Stroke length (Smax), maximum	[mm]	2712	3772	5578
Linear speed, maximum	[m/s]	1,6	1,0	1,25
Dynamic carriage load (Fz), maximum	[N]	400	1450	3000
Remarks		ballscrew driven, single ball nut	ballscrew driven, single ball nut	ballscrew driven, single ball nut
Page		40	42	44

2HB



Features

- Can be installed in any orientation
- High load capabilities
- Low profile height
- Preloaded ballscrew and bearing carriages offer high stiffness / rigidity
- Corrosion resistant options available.

Parameter		2HB10	2HB20
Profile size (width × height)	[mm]	100 × 60	200 × 90
Stroke length (Smax), maximum	[mm]	1375	2760
Linear speed, maximum	[m/s]	0,47	0,95
Dynamic carriage load (Fz), maximum	[N]	8000	34000
Remarks		bellows or shroud options available	bellows or shroud options available
Page		46	48

2RB



Features

- Can be installed in any orientation
- High load capabilities
- Low profile height
- Preloaded ballscrew and Super Smart bearing configuration provides stiffness / rigidity
- Corrosion resistant options available.

Parameter		2RB12	2RB16
Profile size (width × height)	[mm]	130 × 40	160 × 48
Stroke length (Smax), maximum	[mm]	1951	2815
Linear speed, maximum	[m/s]	0,47	0,73
Dynamic carriage load (Fz), maximum	[N]	1760	5176
Remarks		bellows option available	bellows option available
Page		50	52

Linear Motion Systems with Lead or Ball Screw Drive and Ball Guide

Overview

2DB



INCH INTERFACE

Features

- Integrated dual-rail, webbed shaft ideal for loading in all orientations
- Low-profile height
- Super Smart bushings with low friction for smooth motion
- Easy mounting
- Corrosion resistant options available

Parameter		2DB08	2DB120	2DB12J	2DB160	2DB16J
Profile size (width × height)	[in]	4.5 × 1.625	6 × 2.125	6 × 2.562	7.5 × 2.625	7.5 × 3.062
Stroke length (S _{max}), maximum	[in]	41	63	63	84.5	84.5
Linear speed, maximum	[in/s]	33.3	10.0	25.0	8.3	41.67
Dynamic carriage load (F _z), maximum	[lbs]	336	2115	2115	3555	3555
Remarks		leadscrew driven	ballscrew driven integrated carriage	ballscrew driven modular carriage	ballscrew driven integrated carriage	ballscrew driven modular carriage
Page		54	56	58	60	62

WM40S

Ball Screw Drive, Ball Guide, Single Ball Nut

- » Ordering key - see page 176
- » Accessories - see page 117
- » Additional data - see page 172

General Specifications

Parameter	WM40S
Profile size (w × h) [mm]	40 × 40
Type of screw	ball screw with single nut
Carriage sealing system	plastic cover band
Screw supports	included in all units that require screw supports
Lubrication	central lubrication of all parts that require lubrication
Included accessories	4 × mounting clamps

Carriage Idle Torque (M_{idle}) [Nm]

Input speed [rpm]	Screw lead [mm]
	$p = 5$
150	0,3
1500	0,5
3000	0,8

M_{idle} = the input torque needed to move the carriage with no load on it.

Performance Specifications

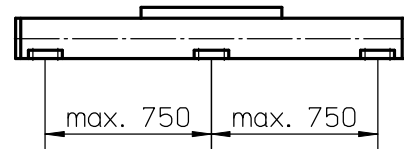
for Units with Single Standard Carriage (N)¹

Parameter		WM40S
Stroke length (S_{max}), maximum	[mm]	2000
Total length (L_{tot}), maximum	[mm]	2300
Linear speed, maximum	[m/s]	0,25
Acceleration, maximum	[m/s ²]	20
Repeatability	[± mm]	0,02
Input speed, maximum	[rpm]	3000
Operation temperature limits	[°C]	0 – 80
Dynamic load (F_x), maximum	[N]	1000
Dynamic load (F_y), maximum	[N]	450
Dynamic load (F_z), maximum	[N]	600
Dynamic load torque (M_x), maximum	[Nm]	10
Dynamic load torque (M_y), maximum	[Nm]	30
Dynamic load torque (M_z), maximum	[Nm]	30
Drive shaft force (F_{rd}), maximum ²	[N]	100
Input/drive shaft torque (M_{ta}), maximum	[Nm]	3
Ball screw diameter (d_0)	[mm]	12
Ball screw lead (p)	[mm]	5
Weight	[kg]	
of unit with zero stroke		1,50
of every 100 mm of stroke		0,30
of each carriage		0,36

¹ See next page for deviating values of units with other carriage types.

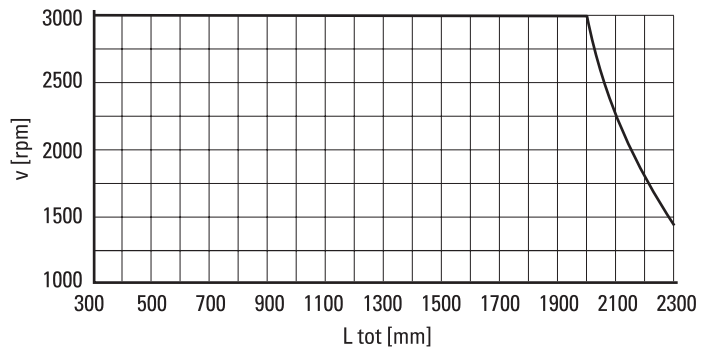
² Only relevant for units without RediMount flange.

Deflection of the Profile

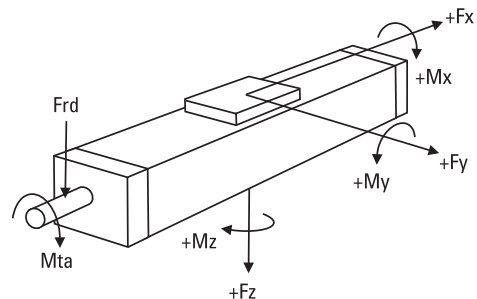


A mounting clamp must be installed at least every 750 mm to be able to operate at maximum load. Less clamps may be required if less load is being operated, see the additional technical data for more information.

Critical Speed



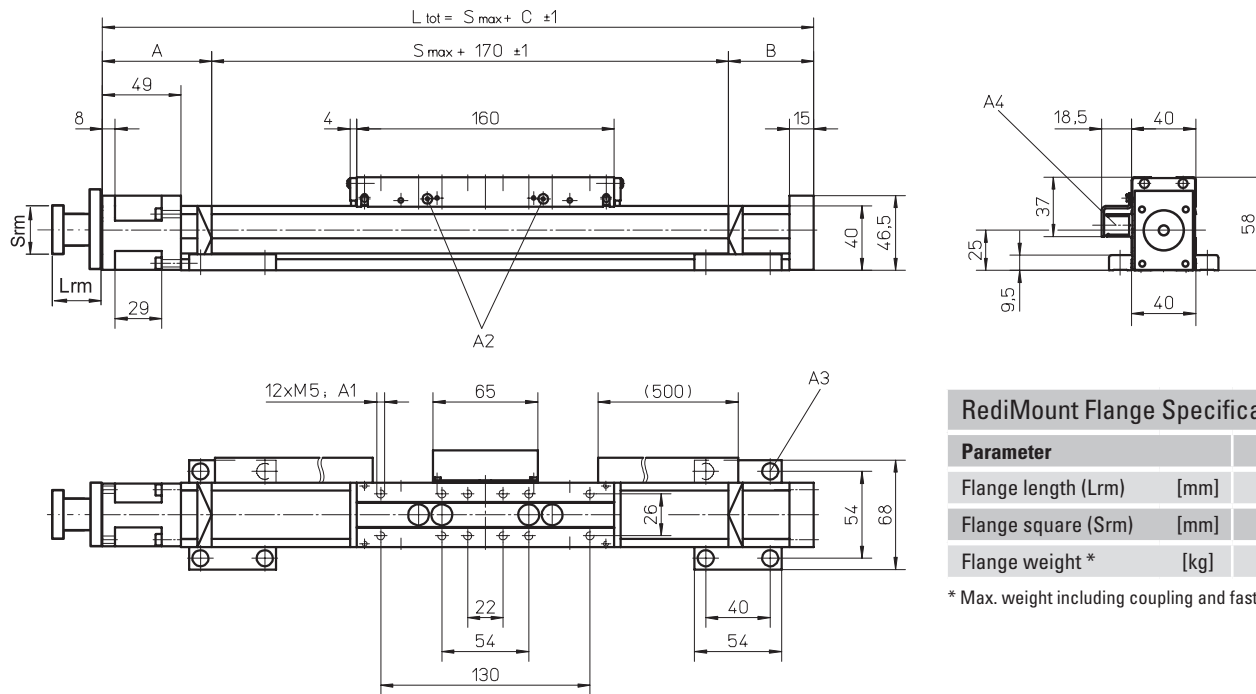
Definition of Forces



WM40S

Dimensions	Projection	Online Sizing & Selection!
METRIC		www.LinearMotioneering.com

Ball Screw Drive, Ball Guide, Single Ball Nut



A1: depth 7

A2: lubricating nipple on both sides DIN3405 D 1/A

A3: socket cap screw ISO4762-M5x12 8.8

A4: ENF inductive sensor rail kit (optional - see page 150)

RediMount Flange Specifications

Parameter	Min	Max
Flange length (Lrm) [mm]	59	94
Flange square (Srm) [mm]	60	139
Flange weight * [kg]	1,86	

* Max. weight including coupling and fastening screws

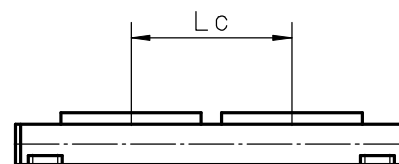
Stroke length (Smax) [mm]	A [mm]	B [mm]	C [mm]
0 – 500	65	35	270
501 – 1100	65	45	280
1101 – 2000	70	60	300

Performance Specifications

for Units with Double Standard Carriage (Z)

Parameter	WM40S
Stroke length (Smax), maximum [mm]	1825
Total length (L tot), maximum [mm]	2300
Minimum distance between carriages (Lc) [mm]	175
Dynamic load (Fy), maximum [N]	900
Dynamic load (Fz), maximum [N]	1200
Dynamic load torque (My), maximum [Nm]	L c ¹ × 0,45
Dynamic load torque (Mz), maximum [Nm]	L c ¹ × 0,6
Force required to move second carriage [N]	4
Total length (L tot) [mm]	Smax + C + L c

¹ Value in mm



WM40D

Ball Screw Drive, Ball Guide, Double Ball Nuts, Long Carriage

- » Ordering key - see page 176
- » Accessories - see page 117
- » Additional data - see page 172

General Specifications

Parameter	WM40D
Profile size (w × h) [mm]	40 × 40
Type of screw	ball screw with double nuts
Carriage sealing system	plastic cover band
Screw supports	included in all units that require screw supports
Lubrication	central lubrication of all parts that require lubrication
Included accessories	4 × mounting clamps

Performance Specifications

for Units with Single Long Carriage (L)¹

Parameter		WM40D
Stroke length (Smax), maximum	[mm]	1950
Total length (L tot), maximum	[mm]	2300
Linear speed, maximum	[m/s]	0,25
Acceleration, maximum	[m/s ²]	20
Repeatability	[± mm]	0,01
Input speed, maximum	[rpm]	3000
Operation temperature limits	[°C]	0 – 80
Dynamic load (Fx), maximum	[N]	1000
Dynamic load (Fy), maximum	[N]	450
Dynamic load (Fz), maximum	[N]	600
Dynamic load torque (Mx), maximum	[Nm]	10
Dynamic load torque (My), maximum	[Nm]	30
Dynamic load torque (Mz), maximum	[Nm]	30
Drive shaft force (Frd), maximum ²	[N]	100
Input/drive shaft torque (Mta), maximum	[Nm]	3
Ball screw diameter (d0)	[mm]	12
Ball screw lead (p)	[mm]	5
Weight	[kg]	
of unit with zero stroke		1,90
of every 100 mm of stroke		0,30
of each carriage		0,60

¹ See next page for deviating values of units with other carriage types.

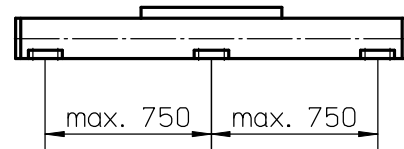
² Only relevant for units without RediMount flange.

Carriage Idle Torque (M idle) [Nm]

Input speed [rpm]	Screw lead [mm]
	p = 5
150	0,4
1500	0,6
3000	0,9

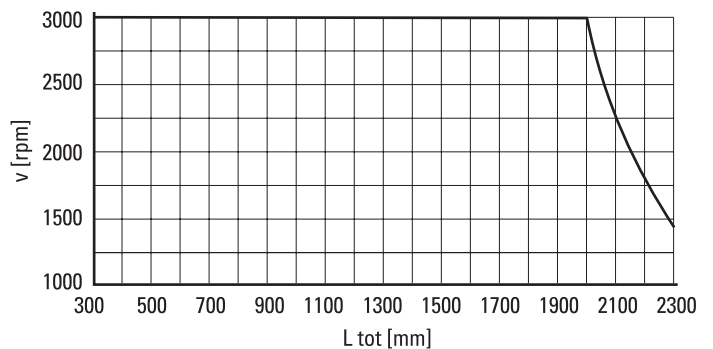
M idle = the input torque needed to move the carriage with no load on it.

Deflection of the Profile

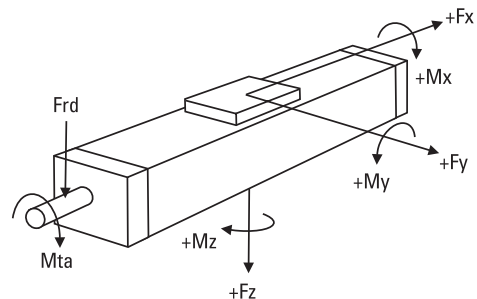


A mounting clamp must be installed at least every 750 mm to be able to operate at maximum load. Less clamps may be required if less load is being operated, see the additional technical data for more information.

Critical Speed



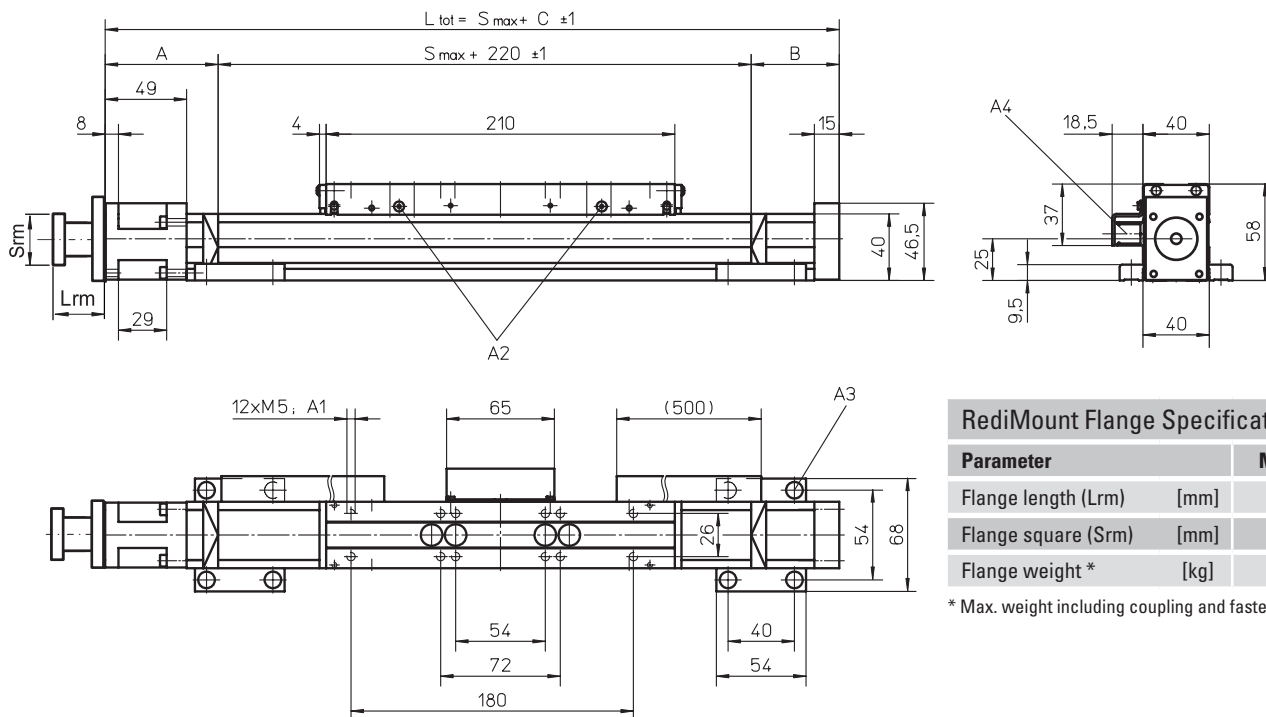
Definition of Forces



WM40D

Dimensions	Projection	Online Sizing & Selection!
METRIC		www.LinearMotioneering.com

Ball Screw Drive, Ball Guide, Double Ball Nuts, Long Carriage



RediMount Flange Specifications

Parameter	Min	Max
Flange length (Lrm)	[mm] 59	94
Flange square (Srm)	[mm] 60	139
Flange weight *	[kg]	1,86

* Max. weight including coupling and fastening screws

A1: depth 6

A2: lubricating nipple on both sides DIN3405 D 1/A

A3: socket cap screw ISO4762-M5x12 8.8

A4: ENF inductive sensor rail kit (optional - see page 150)

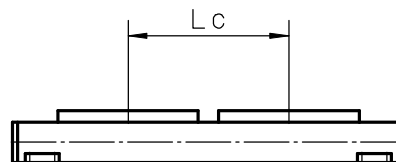
Stroke length (Smax) [mm]	A [mm]	B [mm]	C [mm]
0 – 450	65	35	320
451 – 1050	65	45	330
1051 – 1950	70	60	350

Performance Specifications

for Units with Double Long Carriage (M)

Parameter	WM40D
Stroke length (Smax), maximum	[mm] 1725
Total length (L tot), maximum	[mm] 2300
Minimum distance between carriages (Lc)	[mm] 225
Dynamic load (Fy), maximum	[N] 900
Dynamic load (Fz), maximum	[N] 1200
Dynamic load torque (My), maximum	[Nm] L c ¹ × 0,45
Dynamic load torque (Mz), maximum	[Nm] L c ¹ × 0,6
Force required to move second carriage	[N] 4
Total length (L tot)	[mm] Smax + C + Lc

¹ Value in mm



WM60D

Ball Screw Drive, Ball Guide, Double Ball Nuts

- » Ordering key - see page 176
- » Accessories - see page 117
- » Additional data - see page 172

General Specifications

Parameter	WM60D
Profile size (w × h) [mm]	60 × 60
Type of screw	ball screw with double nut
Carriage sealing system	self-adjusting plastic cover band
Screw supports	included in all units that require screw supports
Lubrication	central lubrication of all parts that require lubrication
Included accessories	4 × mounting clamps

Carriage Idle Torque (M_{idle}) [Nm]

Input speed [rpm]	Screw lead [mm]		
	p = 5	p = 20	p = 50
150	0,8	1,3	1,6
1500	1,4	2,0	2,4
3000	1,8	2,3	2,6

M_{idle} = the input torque needed to move the carriage with no load on it.

Performance Specifications

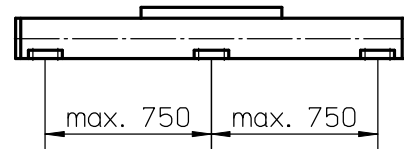
for Units with Single Standard Carriage (N)¹

Parameter		WM60D
Stroke length (S_{max}), maximum screw lead 5, 20 mm	[mm]	11000
stroke lead 50 mm		5000
Total length (L_{tot}), maximum screw lead 5, 20 mm	[mm]	12130
stroke lead 50 mm		5780
Linear speed, maximum	[m/s]	2,5
Acceleration, maximum	[m/s ²]	20
Repeatability	[± mm]	0,01
Input speed, maximum	[rpm]	3000
Operation temperature limits	[°C]	0 – 80
Dynamic load (F_x), maximum	[N]	4000
Dynamic load (F_y), maximum	[N]	2000
Dynamic load (F_z), maximum	[N]	2000
Dynamic load torque (M_x), maximum	[Nm]	100
Dynamic load torque (M_y), maximum	[Nm]	200
Dynamic load torque (M_z), maximum	[Nm]	200
Drive shaft force (F_{rd}), maximum ²	[N]	500
Input/drive shaft torque (M_{ta}), maximum	[Nm]	35
Ball screw diameter (d_o)	[mm]	20
Ball screw lead (p)	[mm]	5, 20, 50
Weight	[kg]	
of unit with zero stroke		6,16
of every 100 mm of stroke		0,65
of each carriage		1,99

¹ See next page for deviating values of units with other carriage types.

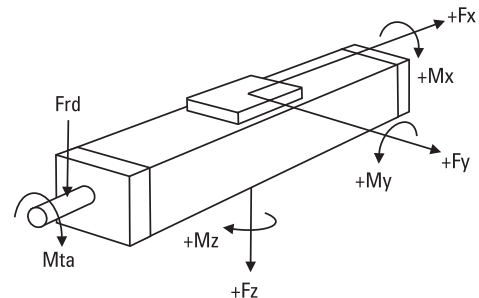
² Only relevant for units without RediMount flange.

Deflection of the Profile



A mounting clamp must be installed at least every 750 mm to be able to operate at maximum load. Less clamps may be required if less load is being operated, see the additional technical data for more information. Units with a profile length over 6300 mm consist of two profiles where the joint between the two profiles must be adequately supported on both sides.

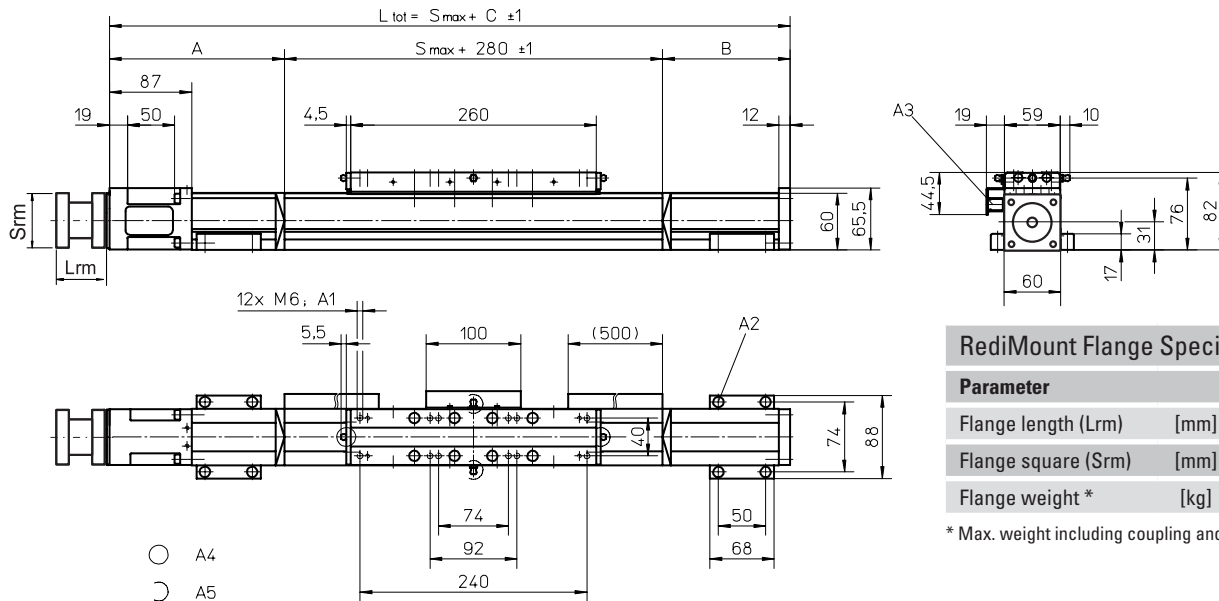
Definition of Forces



WM60D

Dimensions	Projection	Online Sizing & Selection!
METRIC		www.LinearMotioneering.com

Ball Screw Drive, Ball Guide, Double Ball Nuts



RediMount Flange Specifications

Parameter	Min	Max
Flange length (Lrm) [mm]	83	145
Flange square (Srm) [mm]	90	200
Flange weight* [kg]	5,64	

* Max. weight including coupling and fastening screws

- A1: depth 11
- A2: socket cap screw ISO4762-M6x20 8.8
- A3: ENF inductive sensor rail kit (optional - see page 150)

- A4: tapered lubricating nipple to DIN71412 AM6 on fixed-bearing side as standard feature
- A5: can be changed over to one of the three alternative lubricating points by the customer

Stroke length (Smax) [mm]	A [mm]	B [mm]	C [mm]
0 - 695 (0 - 505)	115	65	460 (650)
696 - 1335 (506 - 1145)	165	115	560 (750)
1336 - 2075 (1146 - 1885)	185	135	600 (790)
2076 - 2780 (1886 - 2590)	210	160	650 (840)

Values between brackets = for units with long carriage

Stroke length (Smax) [mm]	A [mm]	B [mm]	C [mm]
2781 - 3545 (2591 - 3355)	230	180	690 (880)
3546 - 4285 (3366 - 4095)	250	200	730 (920)
4286 - 5015 (4096 - 4825)	275	225	780 (970)
5016 - 11000 (4826 - 10810)	contact customer service		

Performance Specifications

for Units with Single Long Carriage (L)

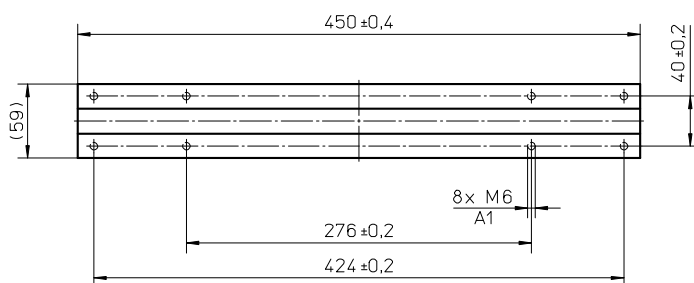
Parameter	WM60D
Stroke length (Smax), maximum screw lead 5, 20 mm	11000
stroke lead 50 mm	4810
Total length (L tot), maximum screw lead 5, 20 mm	12320
stroke lead 50 mm	5780
Carriage length	450
Dynamic load torque (My), maximum	500
Dynamic load torque (Mz), maximum	500
Weight	3,1

Performance Specifications

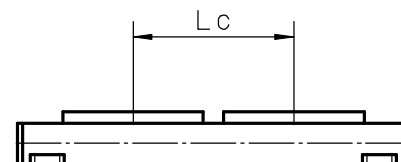
for Units with Double Standard Carriage (Z)

Parameter	WM60D
Stroke length (Smax), maximum screw lead 5, 20 mm	10665
stroke lead 50 mm	4665
Total length (L tot), maximum screw lead 5, 20 mm	12130
stroke lead 50 mm	5780
Minimum distance between carriages (Lc)	335
Dynamic load (Fy), maximum	4000
Dynamic load (Fz), maximum	4000
Dynamic load torque (My), maximum	L C' × 2
Dynamic load torque (Mz), maximum	L C' × 2
Force required to move second carriage	20
Total length (L tot)	Smax + C + Lc

¹ Value in mm



A1: depth 11



WM60S

Ball Screw Drive, Ball Guide, Single Ball Nut, Short Carriage

- » Ordering key - see page 176
- » Accessories - see page 117
- » Additional data - see page 172

General Specifications

Parameter	WM60S
Profile size (w × h) [mm]	60 × 60
Type of screw	ball screw with single nut
Carriage sealing system	self-adjusting plastic cover band
Screw supports	included in all units that require screw supports
Lubrication	central lubrication of all parts that require lubrication
Included accessories	4 × mounting clamps

Carriage Idle Torque (M_{idle}) [Nm]

Input speed [rpm]	Screw lead [mm]		
	p = 5	p = 20	p = 50
150	0,7	1,0	1,4
1500	1,1	1,6	2,0
3000	1,5	1,8	2,2

M_{idle} = the input torque needed to move the carriage with no load on it.

Performance Specifications

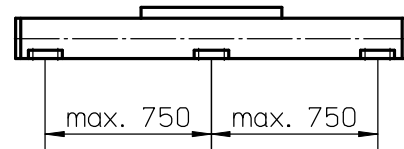
for Units with Single Short Carriage (S)¹

Parameter		WM60S
Stroke length (S_{max}), maximum	[mm]	10390
screw lead 5, 20 mm		5000
screw lead 50 mm		
Total length (L_{tot}), maximum	[mm]	11400
screw lead 5, 20 mm		5650
screw lead 50 mm		
Linear speed, maximum	[m/s]	2,5
Acceleration, maximum	[m/s ²]	10
Repeatability	[± mm]	0,02
Input speed, maximum	[rpm]	3000
Operation temperature limits	[°C]	0 – 80
Dynamic load (F_x), maximum	[N]	2800
Dynamic load (F_y), maximum	[N]	1400
Dynamic load (F_z), maximum	[N]	1400
Dynamic load torque (M_x), maximum	[Nm]	50
Dynamic load torque (M_y), maximum	[Nm]	100
Dynamic load torque (M_z), maximum	[Nm]	100
Drive shaft force (F_{rd}), maximum ²	[N]	500
Input/drive shaft torque (M_{ta}), maximum	[Nm]	35
Ball screw diameter (d_o)	[mm]	20
Ball screw lead (p)	[mm]	5, 20, 50
Weight	[kg]	
of unit with zero stroke		3,80
of every 100 mm of stroke		0,65
of each carriage		1,00

¹ See next page for deviating values of units with other carriage types.

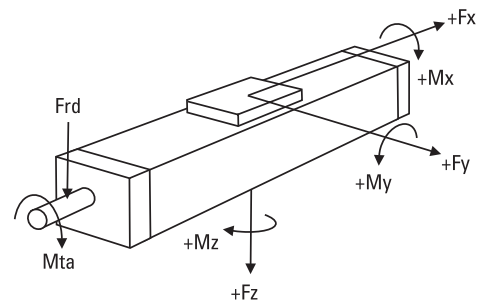
² Only relevant for units without RediMount flange.

Deflection of the Profile



A mounting clamp must be installed at least every 750 mm to be able to operate at maximum load. Less clamps may be required if less load is being operated, see the additional technical data for more information. Units with a profile length over 6300 mm consist of two profiles where the joint between the two profiles must be adequately supported on both sides.

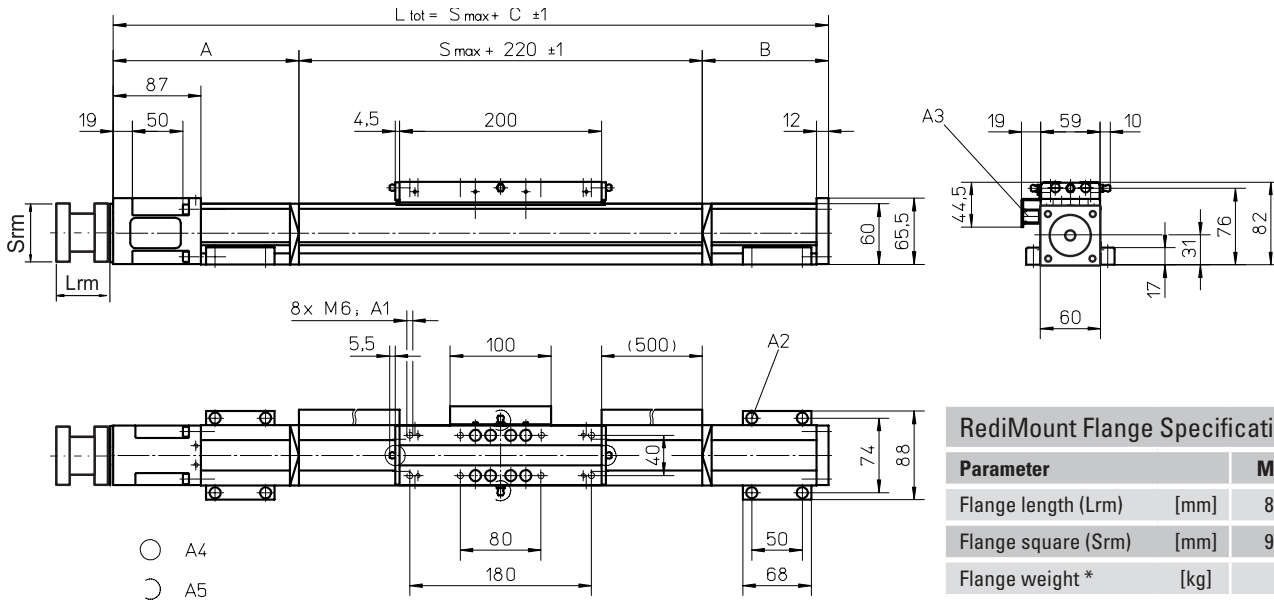
Definition of Forces



WM60S

Dimensions	Projection	Online Sizing & Selection!
METRIC		www.LinearMotioneering.com

Ball Screw Drive, Ball Guide, Single Ball Nut, Short Carriage



RediMount Flange Specifications

Parameter	Min	Max
Flange length (Lrm) [mm]	83	145
Flange square (Srm) [mm]	90	200
Flange weight * [kg]	5,64	

* Max. weight including coupling and fastening screws

A1: depth 11
 A2: socket cap screw ISO4762-M6x20 8.8
 A3: ENF inductive sensor rail kit (optional - see page 150)

A4: tapered lubricating nipple to DIN71412 AM6 on fixed-bearing side as standard feature
 A5: can be changed over to one of the three alternative lubricating points by the customer

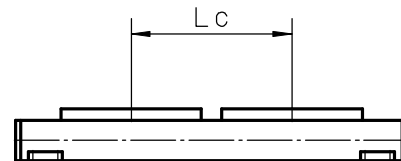
Stroke length (Smax) [mm]	A [mm]	B [mm]	C [mm]
0 - 580	95	20	335
581 - 1140	110	60	390
1141 - 1805	130	80	430
1806 - 2460	155	105	480

Stroke length (Smax) [mm]	A [mm]	B [mm]	C [mm]
2461 - 3125	175	125	520
3126 - 3780	200	150	570
3781 - 4445	220	170	610
4446 - 5000	240	190	650
5001 - 10390	contact customer service		

Performance Specifications for Units with Double Short Carriage (Y)

Parameter	WM60S
Stroke length (Smax), maximum [mm]	10135 screw lead 5, 20 mm 4745
Total length (L tot), maximum [mm]	11400 screw lead 5, 20 mm 5650
Minimum distance between carriages (Lc) [mm]	255
Dynamic load (Fy), maximum [N]	2800
Dynamic load (Fz), maximum [N]	2800
Dynamic load torque (My), maximum [Nm]	$L_{c1} \times 1,4$
Dynamic load torque (Mz), maximum [Nm]	$L_{c1} \times 1,4$
Force required to move second carriage [N]	18
Total length (L tot) [mm]	$S_{max} + C + L_c$

¹ Value in mm



WM60X

Ball Screw Drive, Ball Guide, Left/Right Moving Carriages

- » Ordering key - see page 176
- » Accessories - see page 117
- » Additional data - see page 172

General Specifications

Parameter	WM60X
Profile size (w × h) [mm]	60 × 60
Type of screw	ball screw with double nut
Carriage sealing system	self-adjusting plastic cover band
Screw supports	included in all units that require screw supports
Lubrication	central lubrication of all parts that require lubrication
Included accessories	4 × mounting clamps

Carriage Idle Torque (M_{idle}) [Nm]

Input speed [rpm]	Screw lead [mm]
	$p = 5$
150	1,6
1500	2,8
3000	3,6

M_{idle} = the input torque needed to move the carriage with no load on it.

Performance Specifications

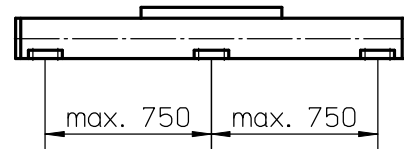
for Units with Single Standard Carriage (N)¹

Parameter		WM60X
Stroke length (S_{max}), maximum	[mm]	10340
Linear speed, maximum	[m/s]	0,25
Acceleration, maximum	[m/s ²]	20
Repeatability	[± mm]	0,01
Input speed, maximum	[rpm]	3000
Operation temperature limits	[°C]	0 – 80
Dynamic load (F_x), maximum	[N]	4000
Dynamic load (F_y), maximum	[N]	2000
Dynamic load (F_z), maximum	[N]	2000
Dynamic load torque (M_x), maximum	[Nm]	100
Dynamic load torque (M_y), maximum	[Nm]	200
Dynamic load torque (M_z), maximum	[Nm]	200
Drive shaft force (F_{rd}), maximum ²	[N]	500
Input/drive shaft torque (M_{ta}), maximum	[Nm]	35
Ball screw diameter (d_o)	[mm]	20
Ball screw lead (p)	[mm]	5
Weight	[kg]	
of unit with zero stroke		10,33
of every 100 mm of stroke		0,65
of each carriage		1,99

¹ See next page for deviating values of units with other carriage types.

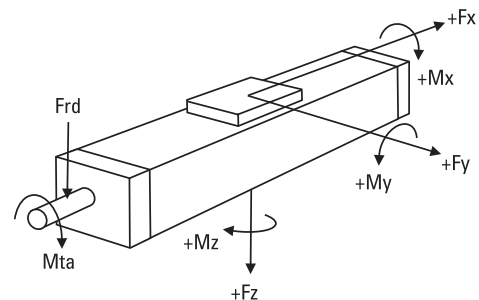
² Only relevant for units without RediMount flange.

Deflection of the Profile



A mounting clamp must be installed at least every 750 mm to be able to operate at maximum load. Less clamps may be required if less load is being operated, see the additional technical data for more information. Units with a profile length over 6300 mm consist of two profiles where the joint between the two profiles must be adequately supported on both sides.

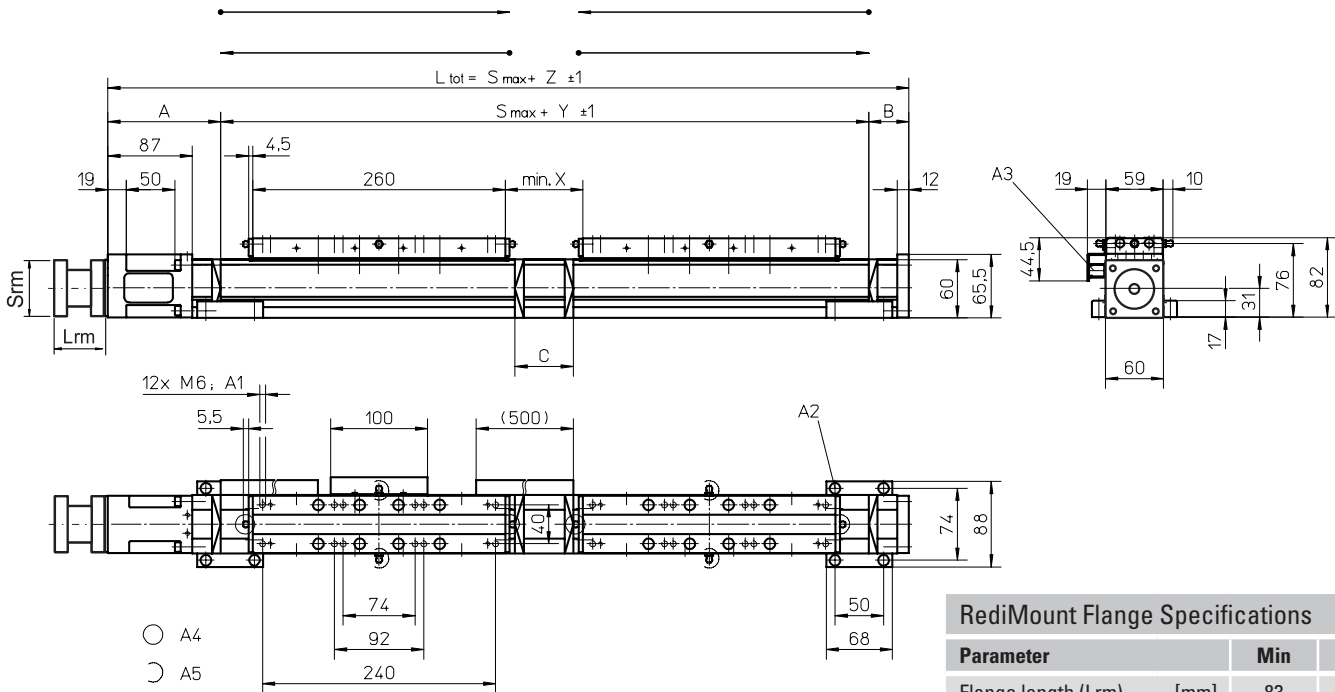
Definition of Forces



WM60X

Dimensions	Projection	Online Sizing & Selection!
METRIC		www.LinearMotioneering.com

Ball Screw Drive, Ball Guide, Left/Right Moving Carriages



RediMount Flange Specifications

Parameter	Min	Max
Flange length (Lrm) [mm]	83	145
Flange square (Srm) [mm]	90	200
Flange weight* [kg]	5,64	

* Max. weight including coupling and fastening screws

- A1: depth 11
- A2: socket cap screw ISO4762-M6×20 8.8
- A3: ENF inductive sensor rail kit (optional - see page 150)
- A4: tapered lubricating nipple to DIN71412 AM6 on fixed-bearing side as standard feature
- A5: can be changed over to one of the three alternative lubricating points by the customer

Saddle N

Stroke length (Smax) [mm]	A [mm]	B [mm]	C [mm]	X [mm]	Y [mm]	Z [mm]
0 - 1390 (0 - 1200)	115	65	60	80	620 (1000)	800 (1180)
1391 - 2670 (1201 - 2480)	165	115	210	230	770 (1150)	1050 (1430)
2671 - 4150 (2481 - 3960)	185	135	250	270	810 (1190)	1130 (1510)
4151 - 5560 (3961 - 5370)	210	160	300	320	860 (1240)	1230 (1610)
5561 - 10340 (5371 - 10150)	contact customer service					

Values between brackets = for units with long carriage

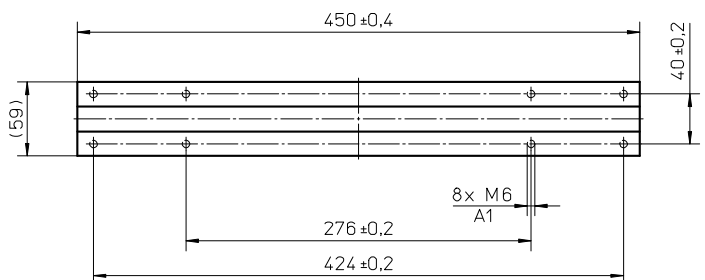
Saddle S

Stroke length (Smax) [mm]	A [mm]	B [mm]	C [mm]	X [mm]	Y [mm]	Z [mm]
0 - 1160	95	20	10	30	450	565
1161 - 2280	110	60	70	90	510	680
2281 - 3610	130	80	110	130	550	760
3611 - 4920	155	105	160	180	600	860
4921 - 5560	contact customer service					

Performance Specifications

for Units with Single Long Carriage (L)

Parameter	WM60X
Carriage length [mm]	450
Dynamic load torque (My), maximum [Nm]	500
Dynamic load torque (Mz), maximum [Nm]	500
Weight [kg]	3,1



A1: depth 11

WM80D

Ball Screw Drive, Ball Guide, Double Ball Nuts

- » Ordering key - see page 176
- » Accessories - see page 117
- » Additional data - see page 172

General Specifications

Parameter	WM80D
Profile size (w × h) [mm]	80 × 80
Type of screw	ball screw with double nuts
Carriage sealing system	self-adjusting plastic cover band
Screw supports	included in all units that require screw supports
Lubrication	central lubrication of all parts that require lubrication
Included accessories	4 × mounting clamps

Carriage Idle Torque (M_{idle}) [Nm]

Input speed [rpm]	Screw lead [mm]			
	$p = 5$	$p = 10$	$p = 20$	$p = 50$
150	1,1	1,5	1,8	2,3
1500	1,7	2,1	2,3	3,0
3000	2,1	2,5	2,6	3,6

M_{idle} = the input torque needed to move the carriage with no load on it.

Performance Specifications

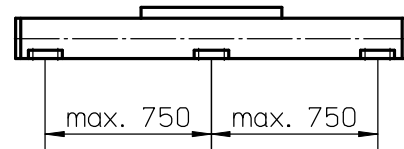
for Units with Single Standard Carriage (N)¹

Parameter		WM80D
Stroke length (S_{max}), maximum screw lead 5, 10, 20 mm	[mm]	11000
stroke lead 50 mm		4965
Total length (L_{tot}), maximum screw lead 5, 10, 20 mm	[mm]	12075
stroke lead 50 mm		5780
Linear speed, maximum	[m/s]	2,5
Acceleration, maximum	[m/s ²]	20
Repeatability	[± mm]	0,01
Input speed, maximum	[rpm]	3000
Operation temperature limits	[°C]	0 – 80
Dynamic load (F_x), maximum	[N]	5000
Dynamic load (F_y), maximum	[N]	3000
Dynamic load (F_z), maximum	[N]	3000
Dynamic load torque (M_x), maximum	[Nm]	350
Dynamic load torque (M_y), maximum	[Nm]	300
Dynamic load torque (M_z), maximum	[Nm]	300
Drive shaft force (F_{rd}), maximum ²	[N]	700
Input/drive shaft torque (M_{ta}), maximum	[Nm]	55
Ball screw diameter (d_o)	[mm]	25
Ball screw lead (p)	[mm]	5, 10, 20, 50
Weight	[kg]	
of unit with zero stroke		11,57
of every 100 mm of stroke		1,08
of each carriage		4,26

¹ See next page for deviating values of units with other carriage types.

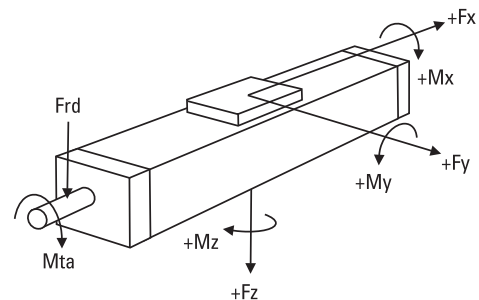
² Only relevant for units without RediMount flange.

Deflection of the Profile



A mounting clamp must be installed at least every 750 mm to be able to operate at maximum load. Less clamps may be required if less load is being operated, see the additional technical data for more information. Units with a profile length over 6300 mm consist of two profiles where the joint between the two profiles must be adequately supported on both sides.

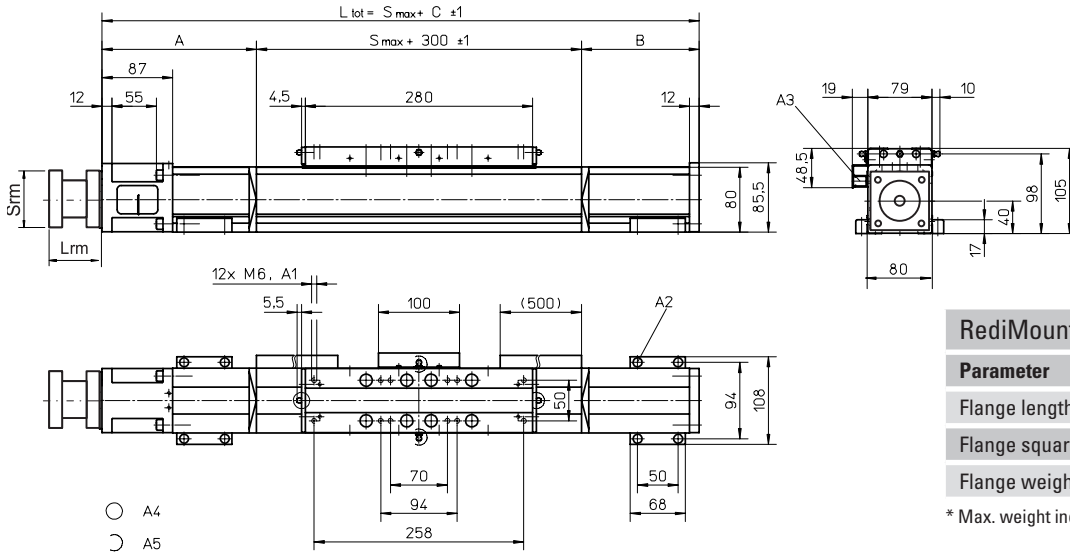
Definition of Forces



WM80D

Dimensions	Projection	Online Sizing & Selection!
METRIC		www.LinearMotioneering.com

Ball Screw Drive, Ball Guide, Double Ball Nuts



RediMount Flange Specifications

Parameter	Min	Max
Flange length (Lrm) [mm]	83	145
Flange square (Srm) [mm]	90	200
Flange weight * [kg]	5,64	

* Max. weight including coupling and fastening screws

- A1: depth 12 mm
- A2: socket cap screw ISO4762-M6x20 8.8
- A3: ENF inductive sensor rail kit (optional - see page 150)

- A4: tapered lubricating nipple to DIN71412 AM6 on fixed-bearing side as standard feature
- A5: can be changed over to one of three alternative lubrication points by customer

Stroke length (Smax) [mm]	A [mm]	B [mm]	C [mm]
0 - 780 (0 - 610)	120	80	500 (670)
781 - 1535 (611 - 1365)	170	125	595 (765)
1536 - 2375 (1366 - 2205)	190	145	635 (805)
2376 - 3205 (2206 - 3035)	215	170	685 (855)

Values between brackets = for units with long carriage

Stroke length (Smax) [mm]	A [mm]	B [mm]	C [mm]
3206 - 4045 (3036 - 3875)	235	190	725 (895)
4046 - 4885 (3876 - 4715)	255	210	765 (935)
4886 - 5000 (4716 - 4830)	280	235	815 (985)
5001 - 11000 (4717 - 10830)	contact customer service		

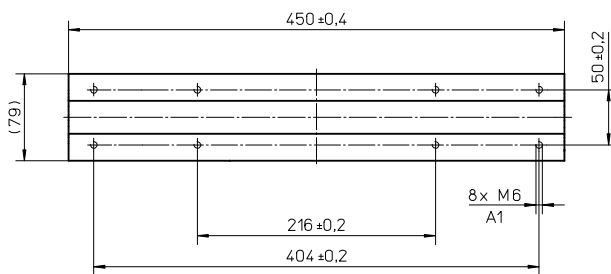
Performance Specifications for Units with Single Long Carriage (L)

Parameter	WM80D
Stroke length (Smax), maximum screw lead 5, 10, 20 mm	10830
stroke lead 50 mm	4795
Total length (L tot), maximum screw lead 5, 10, 20 mm	12075
stroke lead 50 mm	5780
Carriage length	450
Dynamic load torque (My), maximum	750
Dynamic load torque (Mz), maximum	750
Weight	6,4

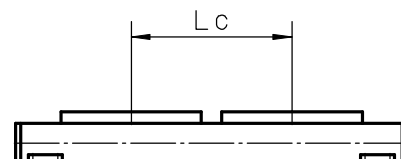
Performance Specifications for Units with Double Standard Carriage (Z)

Parameter	WM80D
Stroke length (Smax), maximum screw lead 5, 10, 20 mm	10640
stroke lead 50 mm	4655
Total length (L tot), maximum screw lead 5, 10, 20 mm	12075
stroke lead 50 mm	5780
Minimum distance between carriages (Lc)	360
Dynamic load (Fy), maximum	6000
Dynamic load (Fz), maximum	6000
Dynamic load torque (My), maximum	L C ¹ × 3
Dynamic load torque (Mz), maximum	L C ¹ × 3
Force required to move second carriage	25
Total length (L tot)	Smax + C + Lc

¹ Value in mm



A1: depth 12 mm



WM80S

Ball Screw Drive, Ball Guide, Single Ball Nut, Short Carriage

- » Ordering key - see page 176
- » Accessories - see page 117
- » Additional data - see page 172

General Specifications

Parameter	WM80S
Profile size (w × h) [mm]	80 × 80
Type of screw	ball screw with single nut
Carriage sealing system	self-adjusting plastic cover band
Screw supports	included in all units that require screw supports
Lubrication	central lubrication of all parts that require lubrication
Included accessories	4 × mounting clamps

Carriage Idle Torque (M_{idle}) [Nm]

Input speed [rpm]	Screw lead [mm]			
	p = 5	p = 10	p = 20	p = 50
150	0,9	1,1	1,3	2,0
1500	1,3	1,5	1,8	2,4
3000	1,7	1,8	2,0	2,9

M_{idle} = the input torque needed to move the carriage with no load on it.

Performance Specifications

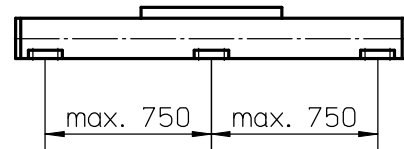
for Units with Single Short Carriage (S)¹

Parameter		WM80S
Stroke length (S_{max}), maximum screw lead 5, 10, 20 mm	[mm]	10540
stroke lead 50 mm		5000
Total length (L_{tot}), maximum screw lead 5, 10, 20 mm	[mm]	11495
stroke lead 50 mm		5645
Linear speed, maximum	[m/s]	2,5
Acceleration, maximum	[m/s ²]	20
Repeatability	[± mm]	0,02
Input speed, maximum	[rpm]	3000
Operation temperature limits	[°C]	0 – 80
Dynamic load (F_x), maximum	[N]	3500
Dynamic load (F_y), maximum	[N]	2100
Dynamic load (F_z), maximum	[N]	2100
Dynamic load torque (M_x), maximum	[Nm]	150
Dynamic load torque (M_y), maximum	[Nm]	180
Dynamic load torque (M_z), maximum	[Nm]	180
Drive shaft force (F_{rd}), maximum ²	[N]	700
Input/drive shaft torque (M_{ta}), maximum	[Nm]	55
Ball screw diameter (d_o)	[mm]	25
Ball screw lead (p)	[mm]	5, 10, 20, 50
Weight	[kg]	
of unit with zero stroke		7,0
of every 100 mm of stroke		1,1
of each carriage		1,6

¹ See next page for deviating values of units with other carriage types.

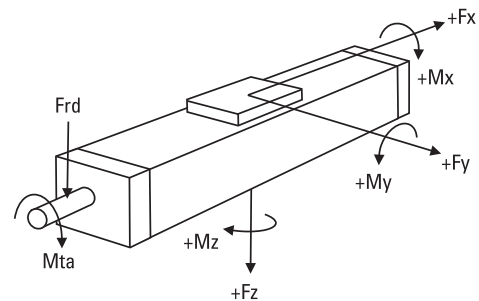
² Only relevant for units without RediMount flange.

Deflection of the Profile



A mounting clamp must be installed at least every 750 mm to be able to operate at maximum load. Less clamps may be required if less load is being operated, see the additional technical data for more information. Units with a profile length over 6300 mm consist of two profiles where the joint between the two profiles must be adequately supported on both sides.

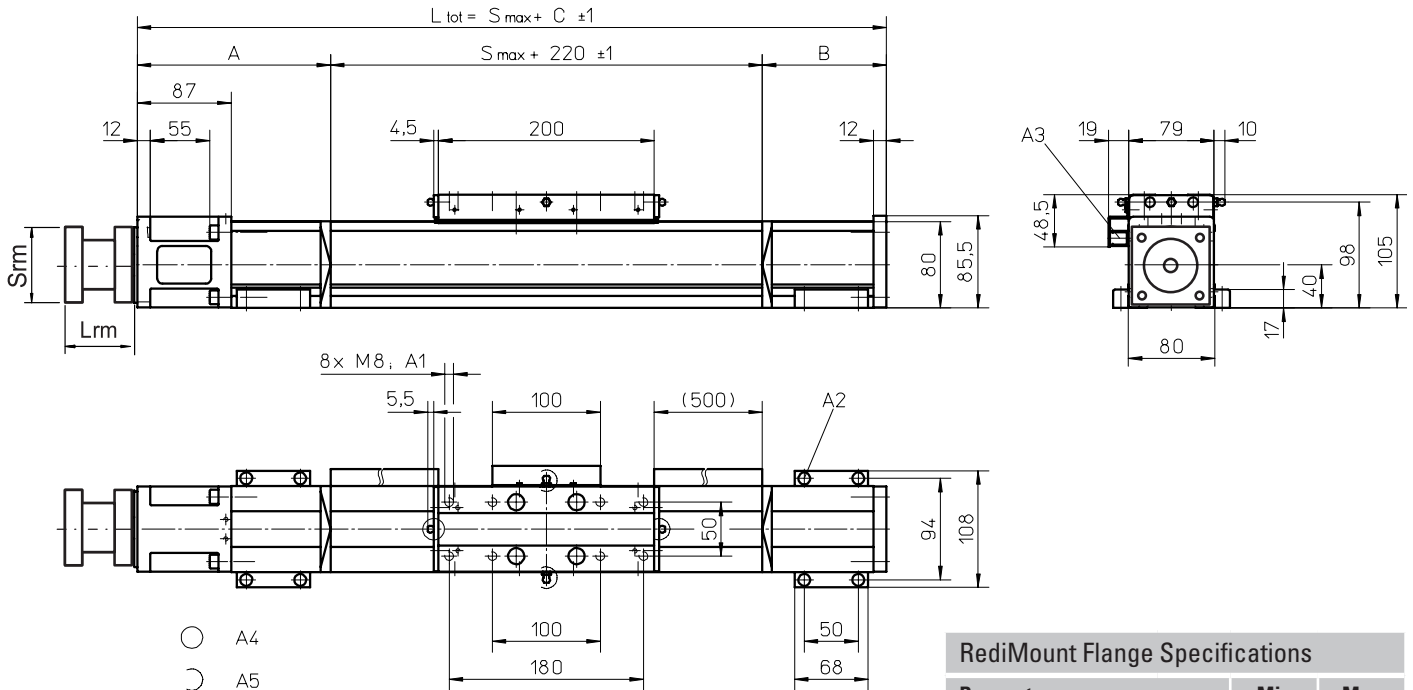
Definition of Forces



WM80S

Dimensions	Projection	Online Sizing & Selection!
METRIC		www.LinearMotioneering.com

Ball Screw Drive, Ball Guide, Single Ball Nut, Short Carriage



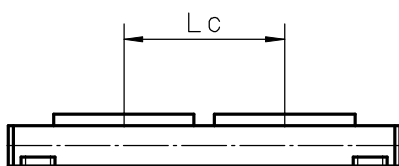
Parameter	Min	Max
Flange length (Lrm) [mm]	83	145
Flange square (Srm) [mm]	90	200
Flange weight * [kg]	5,64	

* Max. weight including coupling and fastening screws

A1: depth 12 mm
 A2: socket cap screw ISO4762-M6x20 8.8
 A3: ENF inductive sensor rail kit (optional - see page 150)

A4: tapered lubricating nipple to DIN71412 AM6 on fixed-bearing side as standard feature
 A5: can be changed over to one of three alternative lubrication points by customer

Stroke length (Smax) [mm]	A [mm]	B [mm]	C [mm]
0 - 680	95	35	350
681 - 1310	125	80	425
1311 - 2065	150	105	475
2066 - 2830	170	125	515
2831 - 3590	195	150	565
3591 - 4355	215	170	605
4356 - 5000	235	190	645



Parameter	WM80S
Stroke length (Smax), maximum screw lead 5, 10, 20 mm	10260
stroke lead 50 mm	4720
Total length (L tot), maximum screw lead 5, 10, 20 mm	11495
stroke lead 50 mm	5645
Minimum distance between carriages (Lc) [mm]	280
Dynamic load (Fy), maximum [N]	4200
Dynamic load (Fz), maximum [N]	4200
Dynamic load torque (My), maximum [Nm]	L c ¹ × 2,1
Dynamic load torque (Mz), maximum [Nm]	L c ¹ × 2,1
Force required to move second carriage [N]	22,5
Total length (L tot) [mm]	Smax + C + Lc

¹ Value in mm

WM120D

Ball Screw Drive, Ball Guide, Double Ball Nuts

- » Ordering key - see page 176
- » Accessories - see page 117
- » Additional data - see page 172

General Specifications

Parameter	WM120D
Profile size (w × h) [mm]	120 × 120
Type of screw	ball screw with double nuts
Carriage sealing system	self-adjusting plastic cover band
Screw supports	included in all units that require screw supports
Lubrication	central lubrication of all parts that require lubrication
Included accessories	4 × mounting clamps

Performance Specifications

for Units with Single Standard Carriage (N)¹

Parameter		WM120D
Stroke length (S _{max}), maximum screw lead 5, 10, 20 mm screw lead 40 mm	[mm]	11000 4765
Total length (L _{tot}), maximum screw lead 5, 10, 20 mm screw lead 40 mm	[mm]	12415 5780
Linear speed, maximum	[m/s]	2,0
Acceleration, maximum	[m/s ²]	20
Repeatability	[± mm]	0,01
Input speed, maximum	[rpm]	3000
Operation temperature limits	[°C]	0 – 80
Dynamic load (F _x), maximum screw lead 5, 10, 20 mm screw lead 40 mm	[N]	12000 8000
Dynamic load (F _y), maximum	[N]	6000
Dynamic load (F _z), maximum	[N]	6000
Dynamic load torque (M _x), maximum	[Nm]	500
Dynamic load torque (M _y), maximum	[Nm]	600
Dynamic load torque (M _z), maximum	[Nm]	600
Drive shaft force (F _{rd}), maximum ²	[N]	1000
Input/drive shaft torque (M _{ta}), maximum	[Nm]	80
Ball screw diameter (d _o)	[mm]	32
Ball screw lead (p)	[mm]	5, 10, 20, 40
Weight	[kg]	
of unit with zero stroke		25,91
of every 100 mm of stroke		1,93
of each carriage		9,25

¹ See next page for deviating values of units with other carriage types.

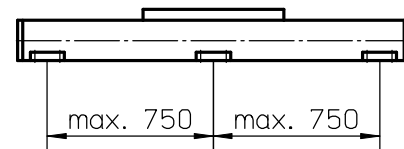
² Only relevant for units without RediMount flange.

Carriage Idle Torque (M_{idle}) [Nm]

Input speed [rpm]	Screw lead [mm]			
	p = 5	p = 10	p = 20	p = 40
150	1,4	2,0	2,3	2,4
1500	2,5	3,0	3,3	3,8
3000	3,0	3,7	4,0	4,3

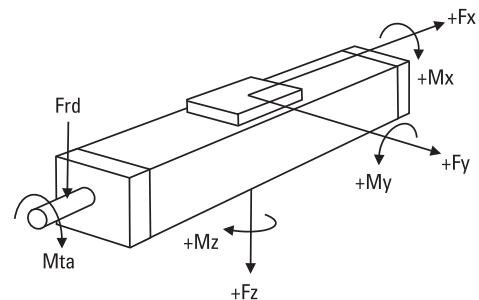
M_{idle} = the input torque needed to move the carriage with no load on it.

Deflection of the Profile



A mounting clamp must be installed at least every 750 mm to be able to operate at maximum load. Less clamps may be required if less load is being operated, see the additional technical data for more information. Units with a profile length over 5400 mm consist of two profiles where the joint between the two profiles must be adequately supported on both sides.

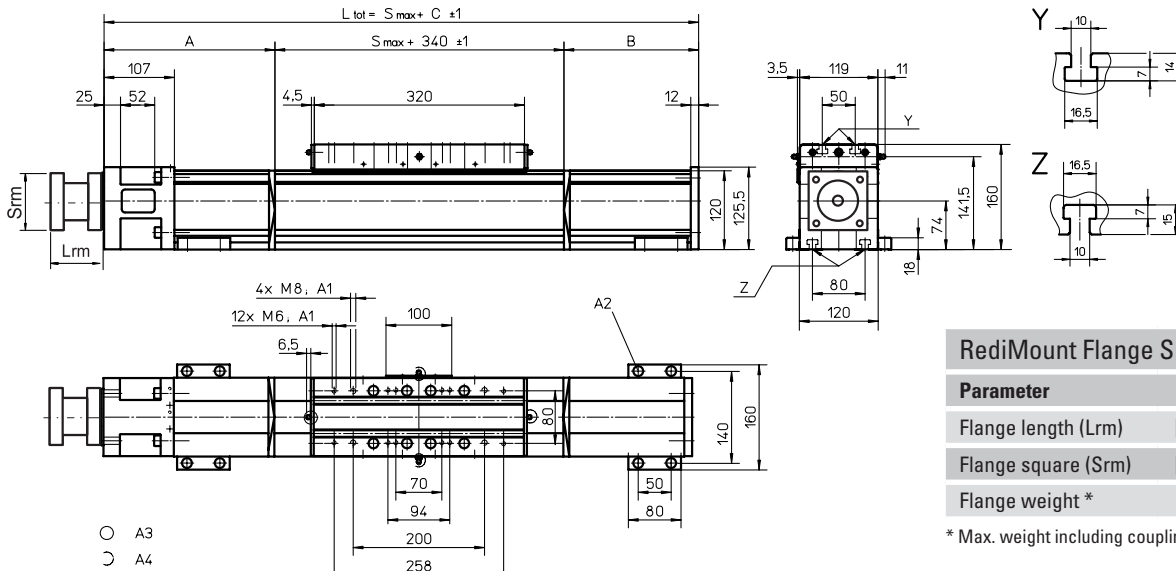
Definition of Forces



WM120D

Dimensions	Projection	Online Sizing & Selection!
METRIC		www.LinearMotioneering.com

Ball Screw Drive, Ball Guide, Double Ball Nuts



RediMount Flange Specifications

Parameter	Min	Max
Flange length (Lrm) [mm]	87	149
Flange square (Srm) [mm]	90	200
Flange weight * [kg]	6,03	

* Max. weight including coupling and fastening screws

A1: depth 22
A2: socket cap screw ISO4762-M8x20 8.8

A3: tapered lubricating nipple to DIN71412 M8x1 on fixed-bearing side as standard feature
A4: can be changed over to one of the three alternative lubricating points by the customer

Stroke length (Smax) [mm]	A [mm]	B [mm]	C [mm]
0 - 890 (0 - 710)	155	100	595 (775)
891 - 1695 (711 - 1515)	225	170	735 (915)
1696 - 2625 (1516 - 2445)	260	205	805 (985)
2626 - 3555 (2446 - 3375)	295	240	875 (1055)

Values between brackets = for units with long carriage

Stroke length (Smax) [mm]	A [mm]	B [mm]	C [mm]
3556 - 4485 (3376 - 4305)	330	275	945 (1125)
4486 - 5000 (4306 - 4820)	365	310	1015 (1195)
5001 - 11000 (4307 - 10820)	contact customer service		

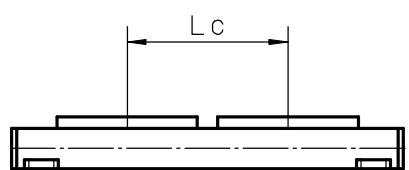
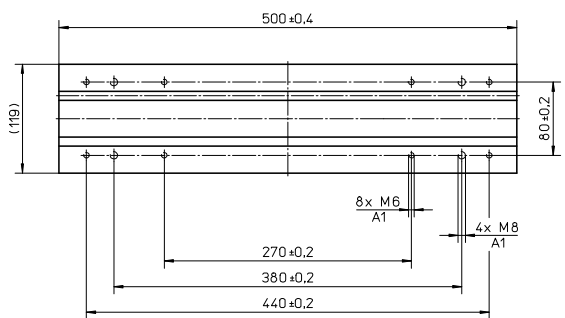
Performance Specifications
for Units with Single Long Carriage (L)

Parameter	WM120D
Stroke length (Smax), maximum screw lead 5, 10, 20 mm screw lead 40 mm	11000 4585
Total length (L tot), maximum screw lead 5, 10, 20 mm screw lead 40 mm	12595 5780
Carriage length	500
Dynamic load torque (My), maximum	1500
Dynamic load torque (Mz), maximum	1500
Weight	14,2

Performance Specifications
for Units with Double Standard Carriage (Z)

Parameter	WM120D
Stroke length (Smax), maximum screw lead 5, 10, 20 mm screw lead 40 mm	10730 4385
Total length (L tot), maximum screw lead 5, 10, 20 mm screw lead 40 mm	12595 5780
Minimum distance - between carriages (Lc)	450
Dynamic load (Fy), maximum	12000
Dynamic load (Fz), maximum	12000
Dynamic load torque (My), maximum	L C ¹ × 6
Dynamic load torque (Mz), maximum	L C ¹ × 6
Force required to move second carriage	30
Total length (L tot)	Smax + C + Lc

¹ Value in mm



A1: depth 22

WV60

Ball Screw Drive, No Guides

- » Ordering key - see page 177
- » Accessories - see page 117
- » Additional data - see page 172

General Specifications

Parameter	WV60
Profile size (w × h) [mm]	60 × 60
Type of screw	ball screw with double nut
Carriage sealing system	self-adjusting plastic cover band
Screw supports	included in all units that require screw supports
Lubrication	central lubrication of all parts that require lubrication
Included accessories	4 × mounting clamps

Performance Specifications

Parameter	WV60
Stroke length (S _{max}), maximum screw lead 5, 20 mm screw lead 50 mm	[mm] 11000 5000
Total length (L _{tot}), maximum screw lead 5, 20 mm screw lead 50 mm	[mm] 12050 5700
Linear speed, maximum	[m/s] 2,5
Acceleration, maximum	[m/s ²] 20
Repeatability	[± mm] 0,01
Input speed, maximum	[rpm] 3000
Operation temperature limits	[°C] 0 – 80
Dynamic load (F _x), maximum	[N] 4000
Dynamic load (F _y), maximum	[N] 0
Dynamic load (F _z), maximum	[N] 0
Dynamic load torque (M _x), maximum	[Nm] 0
Dynamic load torque (M _y), maximum	[Nm] 0
Dynamic load torque (M _z), maximum	[Nm] 0
Drive shaft force (F _{rd}), maximum ¹	[N] 500
Input/drive shaft torque (M _{ta}), maximum	[Nm] 35
Ball screw diameter (d _o)	[mm] 20
Ball screw lead (p)	[mm] 5, 20, 50
Weight	[kg]
of unit with zero stroke	4,72
of every 100 mm of stroke	0,55
of each carriage	1,42

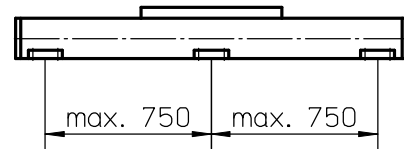
¹ Only relevant for units without RediMount flange.

Carriage Idle Torque (M_{idle}) [Nm]

Input speed [rpm]	Screw lead [mm]		
	p = 5	p = 20	p = 50
150	0,7	0,9	1,1
1500	1,3	1,5	1,5
3000	1,7	1,9	2,1

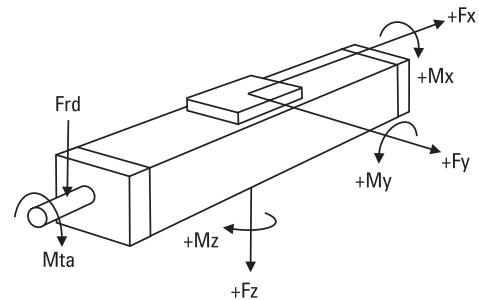
M_{idle} = the input torque needed to move the carriage with no load on it.

Deflection of the Profile



A mounting clamp must be installed at least every 750 mm to be able to operate at maximum load. Less clamps may be required if less load is being operated, see the additional technical data for more information. Units with a profile length over 6300 mm consist of two profiles where the joint between the two profiles must be adequately supported on both sides.

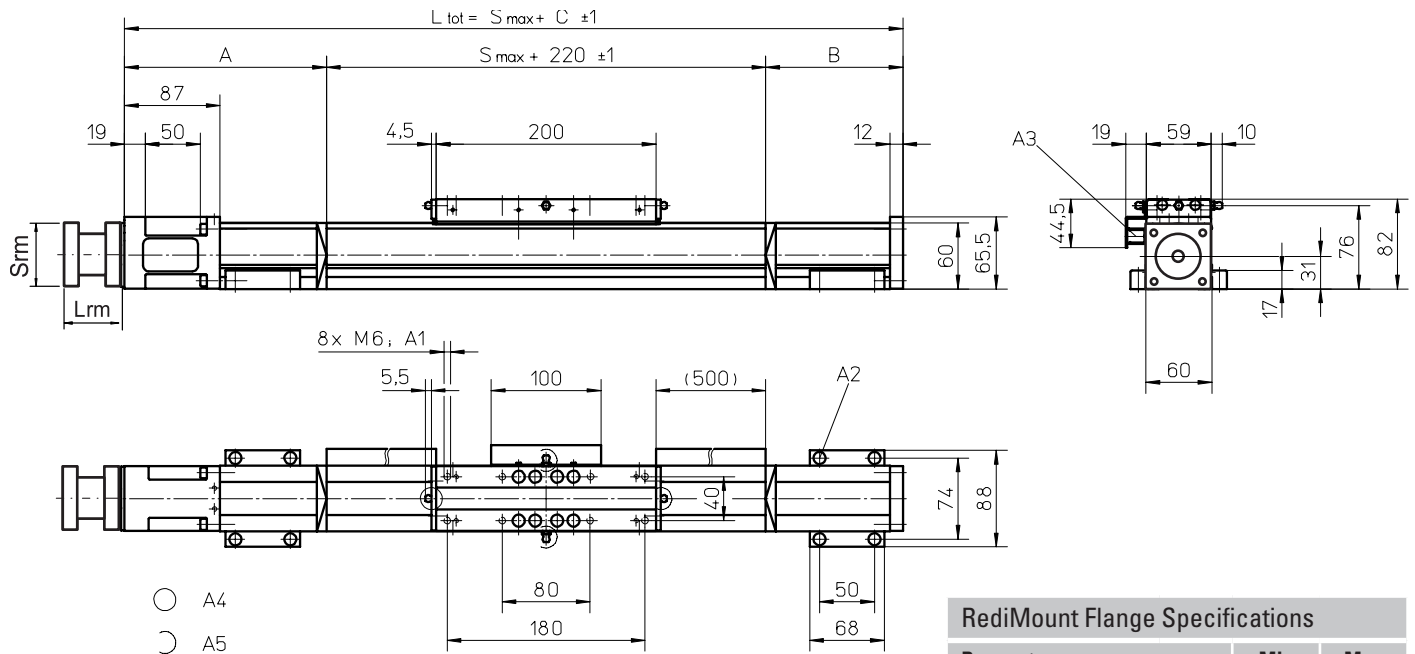
Definition of Forces



WV60

Ball Screw Drive, No Guides

Dimensions	Projection	Online Sizing & Selection!
METRIC		www.LinearMotioneering.com



- A1: depth 11
- A2: socket cap screw ISO4762-M6x20 8.8
- A3: ENF inductive sensor rail kit (optional - see page 150)
- A4: tapered lubricating nipple to DIN71412 AM6 on fixed-bearing side as standard feature
- A5: can be changed over to one of the three alternative lubricating points by the customer

Parameter	Min	Max
Flange length (Lrm) [mm]	83	145
Flange square (Srm) [mm]	90	200
Flange weight * [kg]	5,64	

* Max. weight including coupling and fastening screws

Stroke length (Smax) [mm]	A [mm]	B [mm]	C [mm]
0 - 690	130	80	430
691 - 1415	155	105	480
1416 - 2155	175	125	520
2156 - 2885	200	150	570

Stroke length (Smax) [mm]	A [mm]	B [mm]	C [mm]
2886 - 3625	220	170	610
3626 - 4355	245	195	660
4256 - 5095	265	215	700
5096 - 11000	contact customer service		

WV80

Ball Screw Drive, No Guides

- » Ordering key - see page 177
- » Accessories - see page 117
- » Additional data - see page 172

General Specifications

Parameter	WV80
Profile size (w × h) [mm]	80 × 80
Type of screw	ball screw with double nuts
Carriage sealing system	self-adjusting plastic cover band
Screw supports	included in all units that require screw supports
Lubrication	central lubrication of all parts that require lubrication
Included accessories	4 × mounting clamps

Performance Specifications

Parameter		WV80
Stroke length (S _{max}), maximum screw lead 5, 10, 20 mm	[mm]	11000
stroke lead 50 mm		5000
Total length (L _{tot}), maximum screw lead 5, 10, 20 mm	[mm]	11945
stroke lead 50 mm		5635
Linear speed, maximum	[m/s]	2,5
Acceleration, maximum	[m/s ²]	20
Repeatability	[± mm]	0,01
Input speed, maximum	[rpm]	3000
Operation temperature limits	[°C]	0 – 80
Dynamic load (F _x), maximum	[N]	5000
Dynamic load (F _y), maximum	[N]	0
Dynamic load (F _z), maximum	[N]	0
Dynamic load torque (M _x), maximum	[Nm]	0
Dynamic load torque (M _y), maximum	[Nm]	0
Dynamic load torque (M _z), maximum	[Nm]	0
Drive shaft force (F _{rd}), maximum ¹	[N]	700
Input/drive shaft torque (M _{ta}), maximum	[Nm]	55
Ball screw diameter (d ₀)	[mm]	25
Ball screw lead (p)	[mm]	5, 10, 20, 50
Weight	[kg]	
of unit with zero stroke		7,95
of every 100 mm of stroke		0,99
of each carriage		2,25

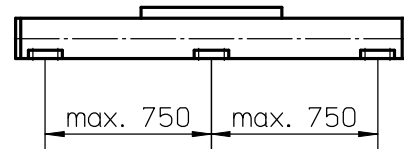
¹ Only relevant for units without RediMount flange.

Carriage Idle Torque (M_{idle}) [Nm]

Input speed [rpm]	Screw lead [mm]			
	p = 5	p = 10	p = 20	p = 50
150	0,9	1,1	1,3	1,4
1500	1,6	1,9	2,1	2,3
3000	2,0	2,4	2,6	3,0

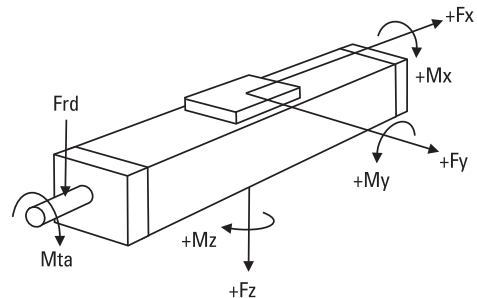
M_{idle} = the input torque needed to move the carriage with no load on it.

Deflection of the Profile



A mounting clamp must be installed at least every 750 mm to be able to operate at maximum load. Less clamps may be required if less load is being operated, see the additional technical data for more information. Units with a profile length over 6300 mm consist of two profiles where the joint between the two profiles must be adequately supported on both sides.

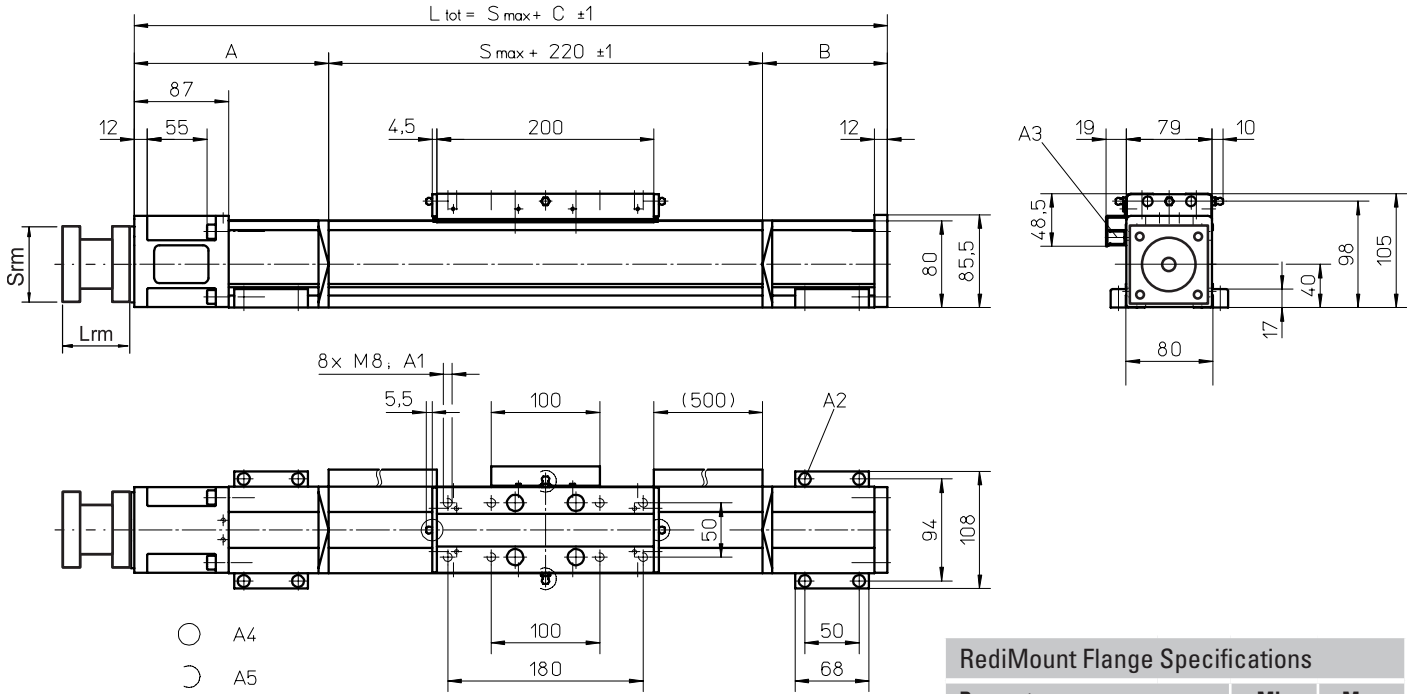
Definition of Forces



WV80

Ball Screw Drive, No Guides

Dimensions	Projection	Online Sizing & Selection!
METRIC		www.LinearMotioneering.com



Parameter	Min	Max
Flange length (Lrm) [mm]	83	145
Flange square (Srm) [mm]	90	200
Flange weight * [kg]	5,64	

- A1: depth 12 mm
- A2: socket cap screw ISO4762-M6x20 8.8
- A3: ENF inductive sensor rail kit (optional - see page 150)
- A4: tapered lubricating nipple to DIN71412 AM6 on fixed-bearing side as standard feature
- A5: can be changed over to one of three alternative lubrication points by customer

* Max. weight including coupling and fastening screws

Stroke length (Smax) [mm]	A [mm]	B [mm]	C [mm]
0 - 775	125	50	395
776 - 1670	145	95	460
1671 - 2505	170	115	505
2506 - 3340	190	140	550

Stroke length (Smax) [mm]	A [mm]	B [mm]	C [mm]
3341 - 4175	210	160	590
4176 - 5015	235	180	635
5016 - 11000	contact customer service		

WV120

Ball Screw Drive, No Guides

- » Ordering key - see page 177
- » Accessories - see page 117
- » Additional data - see page 172

General Specifications

Parameter	WV120
Profile size (w × h) [mm]	120 × 120
Type of screw	ball screw with double nuts
Carriage sealing system	self-adjusting plastic cover band
Screw supports	included in all units that require screw supports
Lubrication	central lubrication of all parts that require lubrication
Included accessories	4 × mounting clamps

Performance Specifications

Parameter		WV120
Stroke length (S _{max}), maximum screw lead 5, 10, 20 mm screw lead 40 mm	[mm]	11000 5000
Total length (L _{tot}), maximum screw lead 5, 10, 20 mm screw lead 40 mm	[mm]	12260 5845
Linear speed, maximum	[m/s]	2,0
Acceleration, maximum	[m/s ²]	20
Repeatability	[± mm]	0,01
Input speed, maximum	[rpm]	3000
Operation temperature limits	[°C]	0 – 80
Dynamic load (F _x), maximum screw lead 5, 10, 20 mm screw lead 40 mm	[N]	12000 8000
Dynamic load (F _y), maximum	[N]	0
Dynamic load (F _z), maximum	[N]	0
Dynamic load torque (M _x), maximum	[Nm]	0
Dynamic load torque (M _y), maximum	[Nm]	0
Dynamic load torque (M _z), maximum	[Nm]	0
Drive shaft force (F _{rd}), maximum ¹	[N]	1000
Input/drive shaft torque (M _{ta}), maximum	[Nm]	80
Ball screw diameter (d _o)	[mm]	32
Ball screw lead (p)	[mm]	5, 10, 20, 40
Weight	[kg]	
of unit with zero stroke		18,10
of every 100 mm of stroke		1,94
of each carriage		4,75

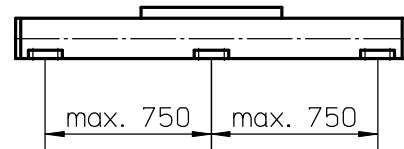
¹ Only relevant for units without RediMount flange.

Carriage Idle Torque (M_{idle}) [Nm]

Input speed [rpm]	Screw lead [mm]			
	p = 5	p = 10	p = 20	p = 40
150	1,0	1,1	1,4	1,5
1500	2,1	2,2	2,5	2,8
3000	2,4	2,6	3,0	3,5

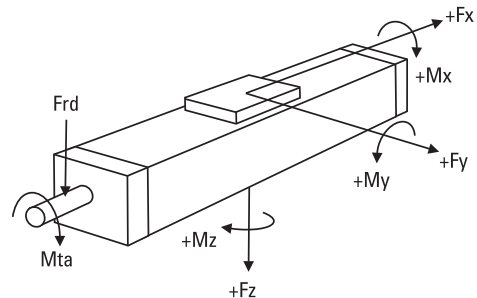
M_{idle} = the input torque needed to move the carriage with no load on it.

Deflection of the Profile



A mounting clamp must be installed at least every 750 mm to be able to operate at maximum load. Less clamps may be required if less load is being operated, see the additional technical data for more information. Units with a profile length over 5400 mm consist of two profiles where the joint between the two profiles must be adequately supported on both sides.

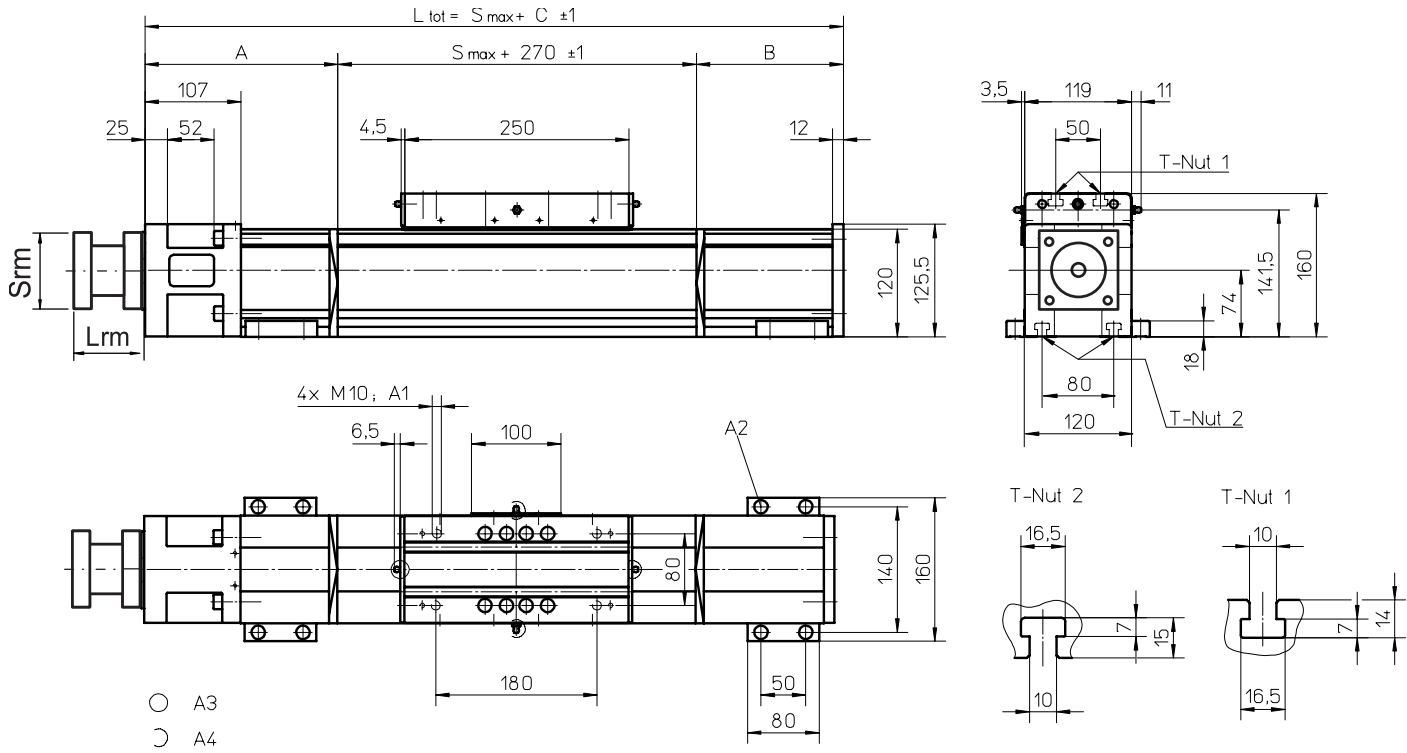
Definition of Forces



WV120

Ball Screw Drive, No Guides

Dimensions	Projection	Online Sizing & Selection!
METRIC		www.LinearMotioneering.com



- A1: depth 22
- A2: socket cap screw ISO4762-M8x20 8.8
- A3: tapered lubricating nipple to DIN71412 M8x1 on fixed-bearing side as standard feature
- A4: can be changed over to one of the three alternative lubricating points by the customer

RediMount Flange Specifications

Parameter	Min	Max
Flange length (Lrm) [mm]	87	149
Flange square (Srm) [mm]	90	200
Flange weight* [kg]	6,03	

* Max. weight including coupling and fastening screws

Stroke length (Smax) [mm]	A [mm]	B [mm]	C [mm]
0 - 940	145	50	465
941 - 1860	180	120	570
1861 - 2790	215	155	640
2791 - 3720	250	190	710

Stroke length (Smax) [mm]	A [mm]	B [mm]	C [mm]
3721 - 4650	285	225	780
4651 - 5000	320	255	845
5001 - 11000	contact customer service		

MLSM60D

Ball Screw Drive, Ball Guide

- » Ordering key - see page 178
- » Accessories - see page 117
- » Additional data - see page 172

General Specifications

Parameter	MLSM60D
Profile size (w × h) [mm]	160 × 65
Type of screw	ball screw with double nuts
Carriage sealing system	plastic cover band
Screw supports	included in all units that require screw supports
Lubrication	central lubrication of all parts that require lubrication
Included accessories	4 × mounting clamps

Performance Specifications

for Units with Single Standard Carriage (N)¹

Parameter		MLSM60D
Stroke length (Smax), maximum	[mm]	4985
Total length (L tot), maximum	[mm]	5700
Linear speed, maximum	[m/s]	2,5
Acceleration, maximum	[m/s ²]	20
Repeatability	[± mm]	0,01
Input speed, maximum	[rpm]	3000
Operation temperature limits	[°C]	0 – 80
Dynamic load (Fx), maximum	[N]	5000
Dynamic load (Fy), maximum	[N]	6000
Dynamic load (Fz), maximum	[N]	6000
Dynamic load torque (Mx), maximum	[Nm]	400
Dynamic load torque (My), maximum	[Nm]	460
Dynamic load torque (Mz), maximum	[Nm]	460
Drive shaft force (Frd), maximum ²	[N]	350
Input/drive shaft torque (Mta), maximum	[Nm]	60
Ball screw diameter (do)	[mm]	25
Ball screw lead (p)	[mm]	5, 10, 20, 50
Weight	[kg]	
of unit with zero stroke		14,40
of every 100 mm of stroke		1,65
of each carriage		5,70

¹ See next page for deviating values of units with other carriage types.

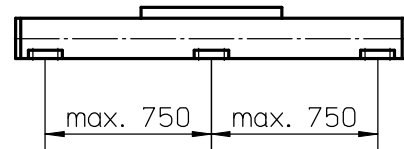
² Only relevant for units without RediMount flange.

Carriage Idle Torque (M idle) [Nm]

Input speed [rpm]	Screw lead [mm]			
	p = 5	p = 10	p = 20	p = 50
150	1,0	1,6	1,9	2,7
1500	1,6	2,2	2,3	3,4
3000	2,0	2,6	2,6	4,0

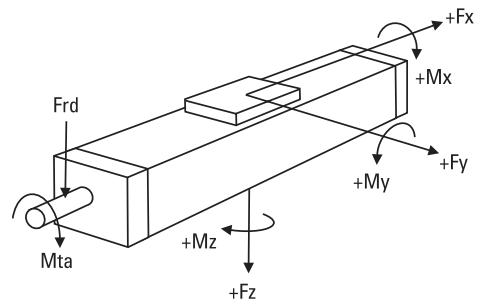
M idle = the input torque needed to move the carriage with no load on it.

Deflection of the Profile



A mounting clamp must be installed at least every 750 mm to be able to operate at maximum load. Less clamps may be required if less load is being operated, see the additional technical data for more information.

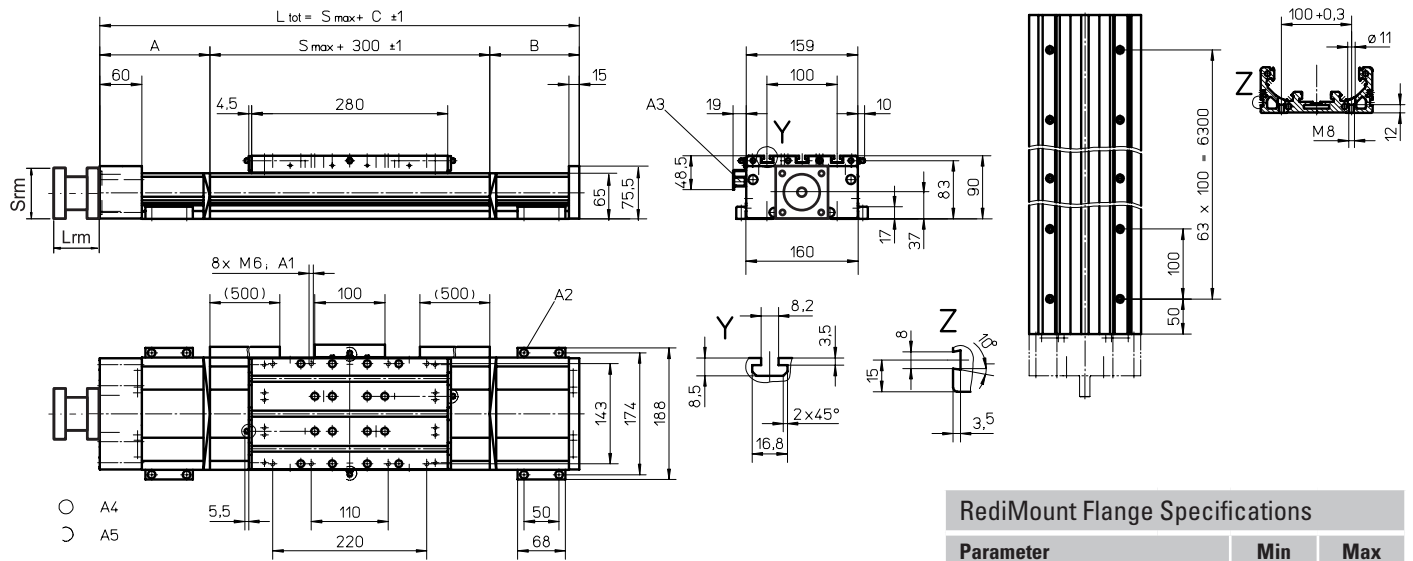
Definition of Forces



MLSM60D

Ball Screw Drive, Ball Guide

Dimensions	Projection	Online Sizing & Selection!
METRIC		www.LinearMotioneering.com



- A1: depth 10
- A2: socket cap screw ISO4762-M6x20 8.8
- A3: ENF inductive sensor rail kit (optional - see page 150)
- A4: tapered lubricating nipple to DIN71412 AM6 on fixed-bearing side as standard feature
- A5: can be changed over to one of the three alternative lubricating points by the customer

Parameter	Min	Max
Flange length (Lrm) [mm]	81	143
Flange square (Srm) [mm]	90	200
Flange weight * [kg]	5,58	

* Max. weight including coupling and fastening screws

Stroke length (Smax) [mm]	A [mm]	B [mm]	C [mm]
0 - 750 (0 - 580)	90	45	435 (605)
751 - 1220 (581 - 1050)	105	90	495 (665)
1221 - 1980 (1051 - 1810)	125	110	535 (705)
1981 - 2730 (1811 - 2560)	150	135	585 (765)

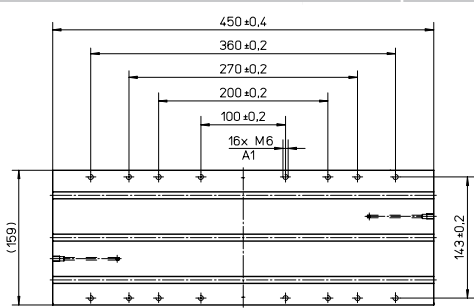
Stroke length (Smax) [mm]	A [mm]	B [mm]	C [mm]
2731 - 3490 (2561 - 3320)	170	155	625 (795)
3491 - 4240 (3321 - 4070)	195	180	675 (845)
4241 - 5000 (4071 - 4830)	215	200	715 (885)
5001 - 5500 (4831 - 5330)	235	220	755 (925)

Values between brackets = for units with long carriage

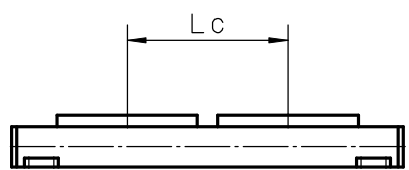
Parameter	MLSM60D
Stroke length (Smax), maximum [mm]	4815
Total length (L tot), maximum [mm]	5700
Carriage length [mm]	450
Dynamic load torque (My), maximum [Nm]	940
Dynamic load torque (Mz), maximum [Nm]	940
Weight [kg]	6,5

Parameter	MLSM60D
Stroke length (Smax), maximum [mm]	4665
Total length (L tot), maximum [mm]	5700
Minimum distance between carriages (Lc) [mm]	320
Dynamic load (Fy), maximum [N]	12000
Dynamic load (Fz), maximum [N]	12000
Dynamic load torque (My), maximum [Nm]	L C ¹ × 6
Dynamic load torque (Mz), maximum [Nm]	L C ¹ × 6
Force required to move second carriage [N]	27
Total length (L tot) [mm]	Smax + C + Lc

¹ Value in mm



A1: depth 10



MLSM80D

Ball Screw Drive, Ball Guide

- » Ordering key - see page 178
- » Accessories - see page 117
- » Additional data - see page 172

General Specifications

Parameter	MLSM80D
Profile size (w × h) [mm]	240 × 85
Type of screw	ball screw with double nuts
Carriage sealing system	plastic cover band
Screw supports	included in all units that require screw supports
Lubrication	central lubrication of all parts that require lubrication
Included accessories	4 × mounting clamps

Performance Specifications

for Units with Single Standard Carriage (N)¹

Parameter		MLSM80D
Stroke length (Smax), maximum	[mm]	4810
Total length (L tot), maximum	[mm]	5700
Linear speed, maximum	[m/s]	2,0
Acceleration, maximum	[m/s ²]	20
Repeatability	[± mm]	0,01
Input speed, maximum	[rpm]	3000
Operation temperature limits	[°C]	0 – 80
Dynamic load (Fx), maximum	[N]	12000
screw lead 5, 10, 20 mm		8000
screw lead 40 mm		
Dynamic load (Fy), maximum	[N]	8000
Dynamic load (Fz), maximum	[N]	8000
Dynamic load torque (Mx), maximum	[Nm]	780
Dynamic load torque (My), maximum	[Nm]	900
Dynamic load torque (Mz), maximum	[Nm]	900
Drive shaft force (Frd), maximum ²	[N]	700
Input/drive shaft torque (Mta), maximum	[Nm]	85
Ball screw diameter (do)	[mm]	32
Ball screw lead (p)	[mm]	5, 10, 20, 40
Weight	[kg]	
of unit with zero stroke		29,5
of every 100 mm of stroke		2,7
of each carriage		11,5

¹ See next page for deviating values of units with other carriage types.

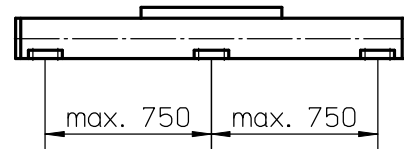
² Only relevant for units without RediMount flange.

Carriage Idle Torque (M idle) [Nm]

Input speed [rpm]	Screw lead [mm]			
	p = 5	p = 10	p = 20	p = 40
150	1,6	2,2	2,5	2,8
1500	2,7	3,2	3,4	4,0
3000	3,2	4,0	4,2	4,5

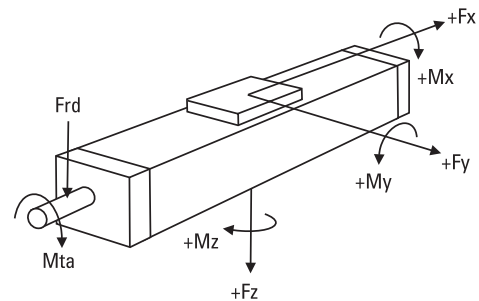
M idle = the input torque needed to move the carriage with no load on it.

Deflection of the Profile



A mounting clamp must be installed at least every 750 mm to be able to operate at maximum load. Less clamps may be required if less load is being operated, see the additional technical data for more information.

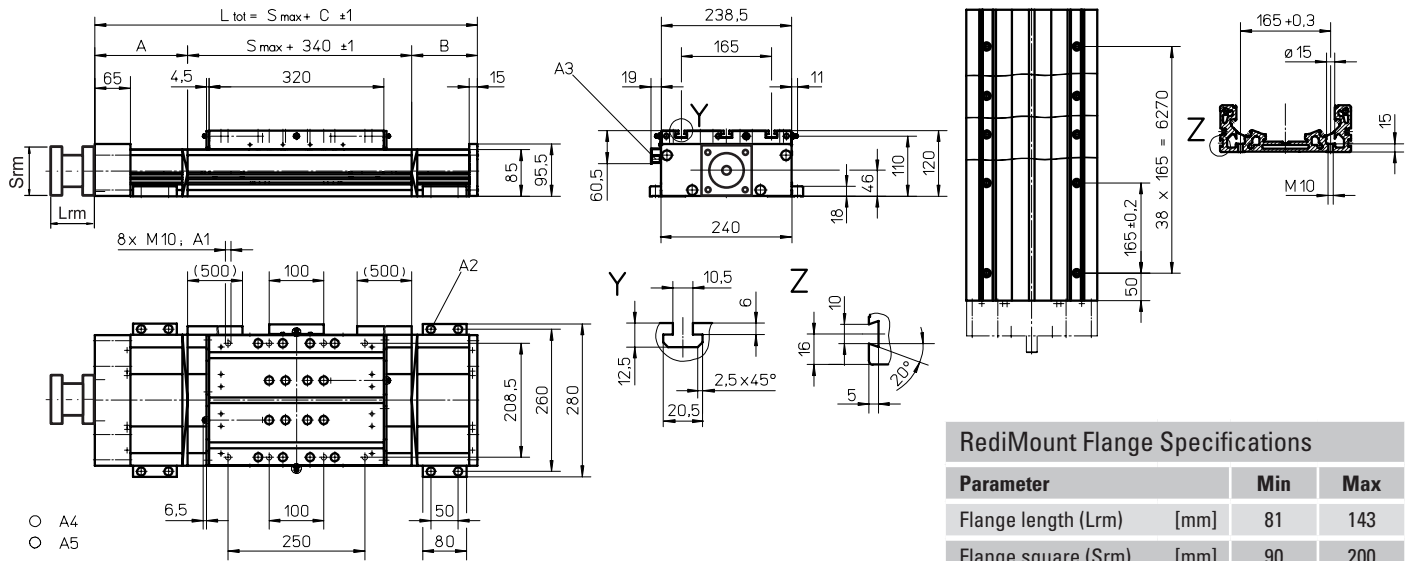
Definition of Forces



MLSM80D

Ball Screw Drive, Ball Guide

Dimensions	Projection	Online Sizing & Selection!
METRIC		www.LinearMotioneering.com



- A1: depth 15
- A2: socket cap screw ISO4762-M8x20 8.8
- A3: ENF inductive sensor rail kit (optional - see page 150)
- A4: tapered lubricating nipple to DIN71412 M8x1 on fixed-bearing side as standard feature
- A5: can be changed over to one of the three alternative lubricating points by the customer

Parameter	Min	Max
Flange length (Lrm) [mm]	81	143
Flange square (Srm) [mm]	90	200
Flange weight * [kg]	5,67	

* Max. weight including coupling and fastening screws

Stroke length (Smax) [mm]	A [mm]	B [mm]	C [mm]
0 - 750 (0 - 570)	100	90	530 (710)
751 - 1140 (571 - 960)	130	120	590 (770)
1141 - 1880 (961 - 1700)	160	150	650 (830)
1881 - 2620 (1701 - 2440)	190	180	710 (890)

Values between brackets = for units with long carriage

Stroke length (Smax) [mm]	A [mm]	B [mm]	C [mm]
2621 - 3360 (2441 - 3180)	220	210	770 (950)
3361 - 4100 (3181 - 3920)	250	240	830 (1010)
4101 - 4840 (3921 - 4660)	280	270	890 (1070)
4841 - 5000 (4661 - 4820)	310	300	950 (1130)

Performance Specifications

for Units with Single Long Carriage (L)

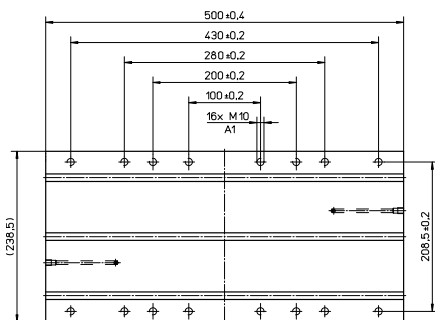
Parameter	MLSM80D
Stroke length (Smax), maximum [mm]	4630
Total length (L tot), maximum [mm]	5700
Carriage length [mm]	500
Dynamic load torque (My), maximum [Nm]	1750
Dynamic load torque (Mz), maximum [Nm]	1750
Weight [kg]	16

Performance Specifications

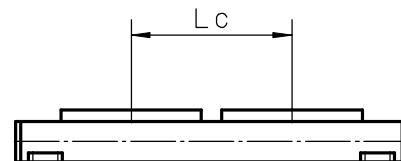
for Units with Double Standard Carriage (Z)

Parameter	MLSM80D
Stroke length (Smax), maximum [mm]	4410
Total length (L tot), maximum [mm]	5700
Minimum distance between carriages (Lc) [mm]	400
Dynamic load (Fy), maximum [N]	16000
Dynamic load (Fz), maximum [N]	16000
Dynamic load torque (My), maximum [Nm]	L C ¹ × 8
Dynamic load torque (Mz), maximum [Nm]	L C ¹ × 8
Force required to move second carriage [N]	35
Total length (L tot) [mm]	Smax + C + Lc

¹ Value in mm



A1: depth 15





M55

Ball Screw Drive, Ball Guide

- » Ordering key - see page 179
- » Accessories - see page 117
- » Additional data - see page 172

General Specifications

Parameter	M55
Profile size (w × h) [mm]	58 × 55
Type of screw	ball screw with single nut
Carriage sealing system	self-adjusting steel cover band
Screw supports	number of screw supports to be specified by customer at order
Lubrication	lubrication of ball screw
Included accessories	none

Performance Specifications

for Units with Single Standard Carriage (A)¹

Parameter		M55
Stroke length (Smax), maximum	[mm]	2712
Total length (L tot), maximum	[mm]	2975
Linear speed, maximum	[m/s]	1,6
Acceleration, maximum	[m/s ²]	8
Repeatability	[± mm]	0,05
Input speed, maximum	[rpm]	3000
Operation temperature limits	[°C]	-20 – 70
Dynamic load (Fx), maximum	[N]	1000
Dynamic load (Fy), maximum	[N]	900
Dynamic load (Fz), maximum	[N]	900
Dynamic load torque (Mx), maximum	[Nm]	9
Dynamic load torque (My), maximum	[Nm]	48
Dynamic load torque (Mz), maximum	[Nm]	48
Drive shaft force (Frd), maximum ²	[N]	200
Input/drive shaft torque (Mta), maximum	[Nm]	12
Screw diameter (d ₀)	[mm]	16
Screw lead (p)	[mm]	5, 10, 20
Weight	[kg]	
of unit with zero stroke		3,90
of every 100 mm of stroke		0,56
of carriage		1,20
of option single screw support		0,83
of option double screw supports		1,88

¹ See next page for deviating values of units with other carriage types.

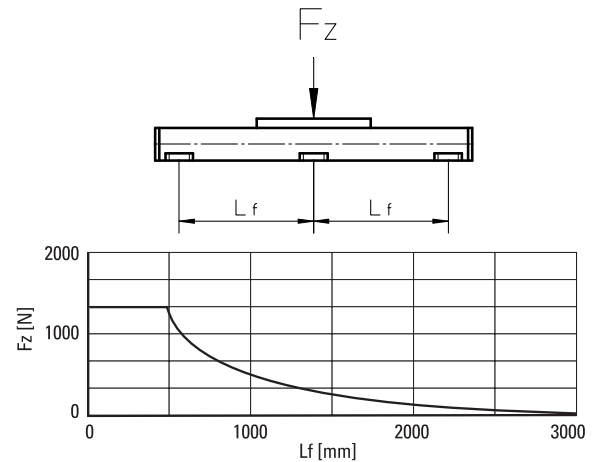
² Only relevant for units without RediMount flange.

Carriage Idle Torque (M_{idle}) [Nm]

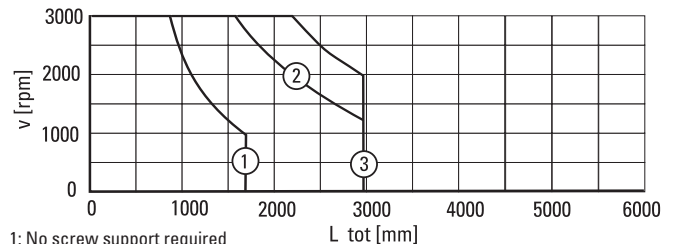
Input speed [rpm]	Screw lead [mm]		
	p = 5	p = 10	p = 20
500 - no screw supports	0,02	0,03	0,04
500 - with screw supports	0,03	0,05	0,07

M_{idle} = the input torque needed to move the carriage with no load on it.

Deflection of the Profile



Critical Speed

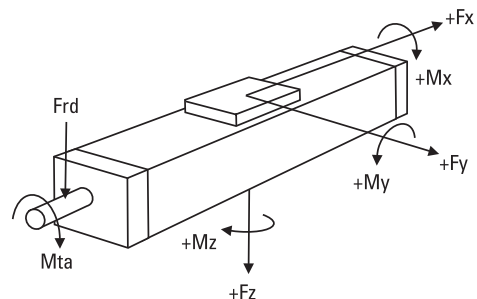


1: No screw support required

2: Single screw support required

3: Double screw supports required

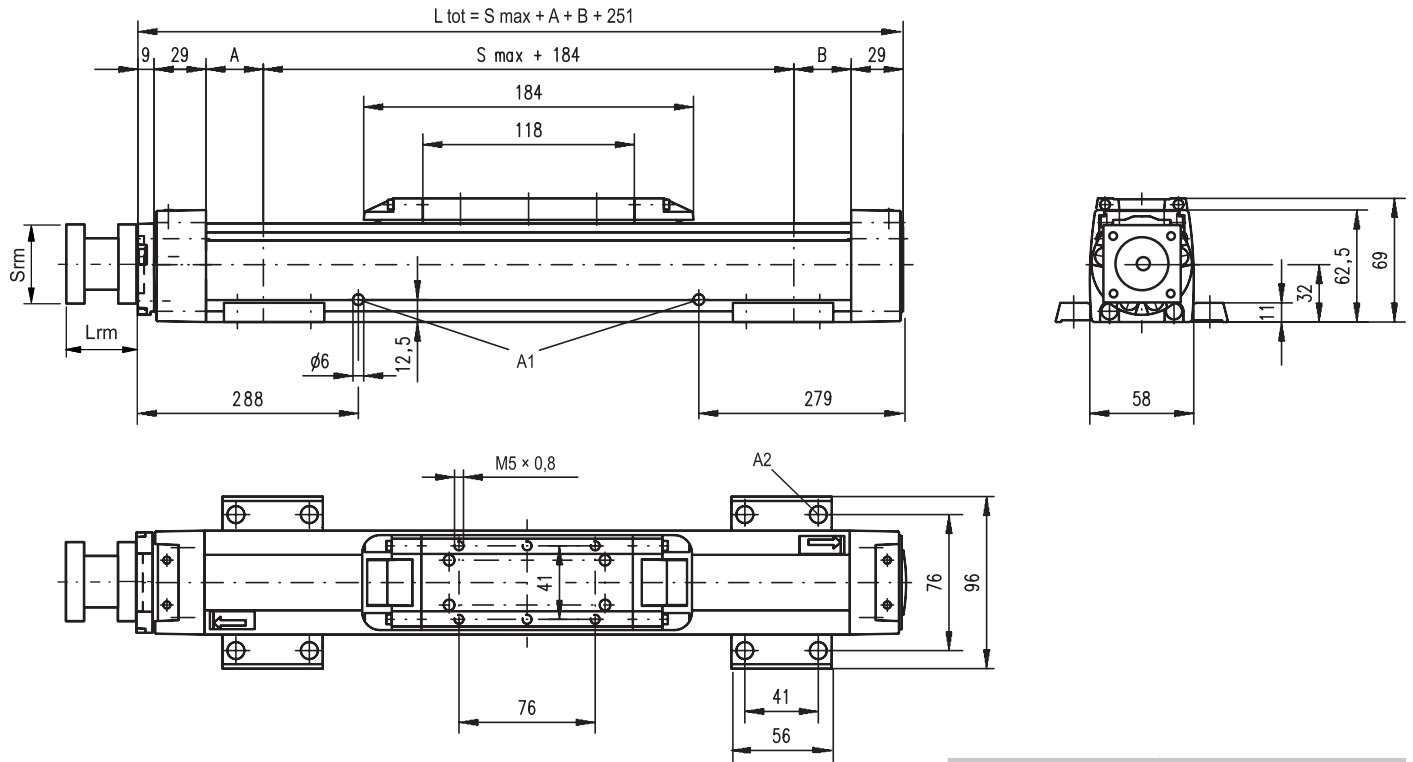
Definition of Forces



M55

Ball Screw Drive, Ball Guide

Dimensions	Projection	Online Sizing & Selection!
METRIC		www.LinearMotioneering.com



A1: lubrication holes
 A2: ø9,5/ø5,5 for socket head cap screw M5

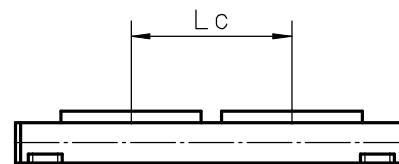
Parameter	Min	Max
Flange length (Lrm) [mm]	57	92
Flange square (Srm) [mm]	60	139
Flange weight * [kg]	1,84	

* Max. weight including coupling and fastening screws

Performance Specifications

for Units with Double Standard Carriage (C)

Parameter	M55
Stroke length (Smax), maximum [mm]	2512
Total length (L tot), maximum [mm]	2975
Minimum distance between carriages (Lc) [mm]	200
Dynamic load (Fy), maximum [N]	1350
Dynamic load (Fz), maximum [N]	1350
Dynamic load torque (My), maximum [Nm]	$Lc^1 \times 0,675$
Dynamic load torque (Mz), maximum [Nm]	$Lc^1 \times 0,675$
Force required to move second carriage [N]	2
Weight of unit with zero stroke of carriages [kg]	6,5 2,4



Screw support configuration	A [mm]	B [mm]	Total length (L tot) [mm]
No screw support	6	6	$L\ tot = Smax + A + B + Lc + 251$
Single screw support	40	40	$L\ tot = Smax + A + B + Lc + 251$
Double screw supports	92	92	$L\ tot = Smax + A + B + Lc + 251$

M75

Ball Screw Drive, Ball Guide

- » Ordering key - see page 179
- » Accessories - see page 117
- » Additional data - see page 172

General Specifications

Parameter	M75
Profile size (w × h) [mm]	86 × 75
Type of screw	ball screw with single nut
Carriage sealing system	self-adjusting steel cover band
Screw supports	number of screw supports to be specified by customer at order
Lubrication	lubrication of ball screw
Included accessories	none

Performance Specifications

for Units with Single Standard Carriage (A)¹

Parameter		M75
Stroke length (S _{max}), maximum	[mm]	3772
screw lead 5, 20 mm		2665
screw lead 12,7 mm		
Total length (L _{tot}), maximum	[mm]	4075
screw lead 5, 20 mm		2968
screw lead 12,7 mm		
Linear speed, maximum	[m/s]	1,0
Acceleration, maximum	[m/s ²]	8
Repeatability	[± mm]	0,05
Input speed, maximum	[rpm]	3000
Operation temperature limits	[°C]	-20 – 70
Dynamic load (F _x), maximum	[N]	2500
Dynamic load (F _y), maximum	[N]	2000
Dynamic load (F _z), maximum	[N]	2000
Dynamic load torque (M _x), maximum	[Nm]	18
Dynamic load torque (M _y), maximum	[Nm]	130
Dynamic load torque (M _z), maximum	[Nm]	130
Drive shaft force (F _{rd}), maximum ²	[N]	600
Input/drive shaft torque (M _{ta}), maximum	[Nm]	30
Screw diameter (d _o)	[mm]	20
Screw lead (p)	[mm]	5, 12,7, 20
Weight	[kg]	
of unit with zero stroke		6,90
of every 100 mm of stroke		1,05
of carriage		2,50
of option single screw support		1,70
of option double screw supports		3,58

¹ See next page for deviating values of units with other carriage types.

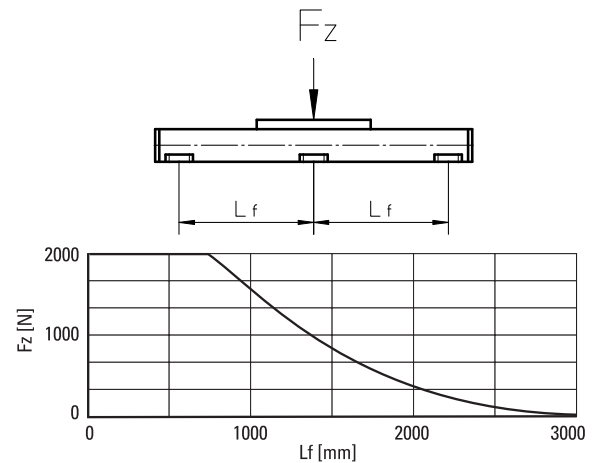
² Only relevant for units without RediMount flange.

Carriage Idle Torque (M_{idle}) [Nm]

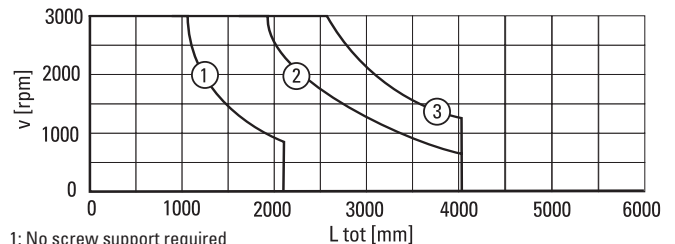
Input speed [rpm]	Screw lead [mm]		
	p = 5	p = 12,7	p = 20
500 - no screw supports	0,04	0,1	0,16
500 - with screw supports	0,06	0,12	0,2

M_{idle} = the input torque needed to move the carriage with no load on it.

Deflection of the Profile

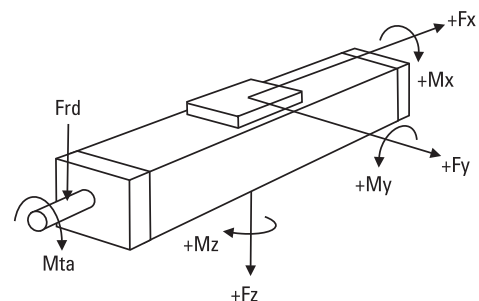


Critical Speed



- 1: No screw support required
- 2: Single screw support required
- 3: Double screw supports required

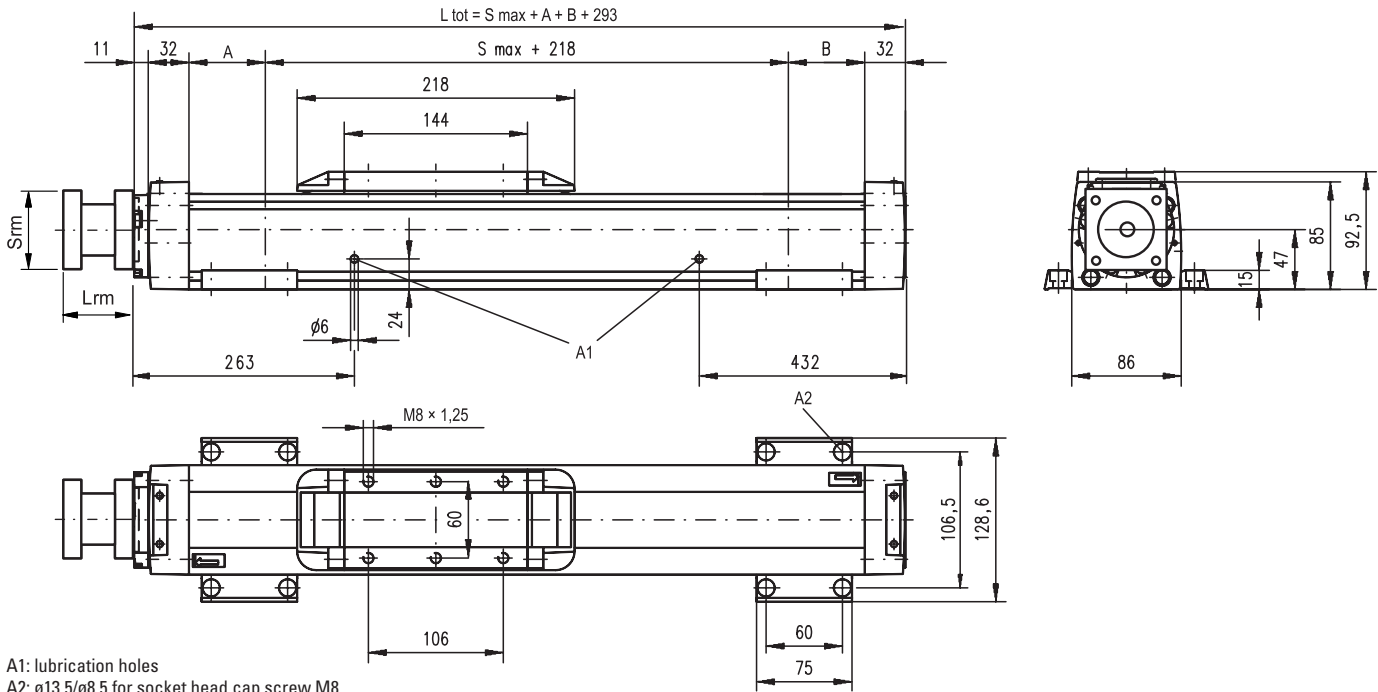
Definition of Forces



M75

Ball Screw Drive, Ball Guide

Dimensions	Projection	Online Sizing & Selection!
METRIC		www.LinearMotioneering.com



A1: lubrication holes
A2: $\phi 13,5/\phi 8,5$ for socket head cap screw M8

Screw support configuration	A [mm]	B [mm]	Total length (L tot) [mm]
No screw support	5	5	$L_{tot} = S_{max} + A + B + 293$
Single screw support	60	60	$L_{tot} = S_{max} + A + B + 293$
Double screw supports	126	126	$L_{tot} = S_{max} + A + B + 293$

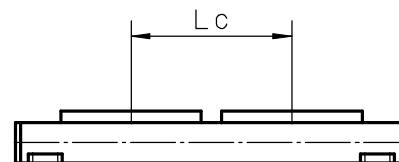
Parameter	Min	Max
Flange length (Lrm) [mm]	81	143
Flange square (Srm) [mm]	90	200
Flange weight* [kg]	5,60	

* Max. weight including coupling and fastening screws

Performance Specifications

for Units with Double Standard Carriage (C)

Parameter	M75
Stroke length (Smax), maximum [mm]	3522 2415
Total length (L tot), maximum [mm]	4075 2968
Minimum distance between carriages (Lc) [mm]	250
Dynamic load (Fy), maximum [N]	3000
Dynamic load (Fz), maximum [N]	3000
Dynamic load torque (My), maximum [Nm]	$L_c^1 \times 1,5$
Dynamic load torque (Mz), maximum [Nm]	$L_c^1 \times 1,5$
Force required to move second carriage [N]	2
Weight of unit with zero stroke of carriages [kg]	12,2 5,0



Screw support configuration	A [mm]	B [mm]	Total length (L tot) [mm]
No screw support	5	5	$L_{tot} = S_{max} + A + B + L_c + 293$
Single screw support	60	60	$L_{tot} = S_{max} + A + B + L_c + 293$
Double screw supports	126	126	$L_{tot} = S_{max} + A + B + L_c + 293$

¹ Value in mm

M100

Ball Screw Drive, Ball Guide

- » Ordering key - see page 179
- » Accessories - see page 117
- » Additional data - see page 172

General Specifications

Parameter	M100
Profile size (w × h) [mm]	108 × 100
Type of screw	ball screw with single nut
Carriage sealing system	self-adjusting steel cover band
Screw supports	number of screw supports to be specified by customer at order
Lubrication	lubrication of ball screw
Included accessories	none

Performance Specifications

for Units with Single Standard Carriage (A)¹

Parameter		M100
Stroke length (S _{max}), maximum	[mm]	
screw lead 5, 10 mm		5578
screw lead 25 mm		4378
Total length (L _{tot}), maximum	[mm]	
screw lead 5, 10 mm		5974
screw lead 25 mm		4774
Linear speed, maximum	[m/s]	1,25
Acceleration, maximum	[m/s ²]	8
Repeatability	[± mm]	0,05
Input speed, maximum	[rpm]	3000
Operation temperature limits	[°C]	-20 – 70
Dynamic load (F _x), maximum	[N]	5000
Dynamic load (F _y), maximum	[N]	5000
Dynamic load (F _z), maximum	[N]	5000
Dynamic load torque (M _x), maximum	[Nm]	60
Dynamic load torque (M _y), maximum	[Nm]	400
Dynamic load torque (M _z), maximum	[Nm]	400
Drive shaft force (F _{rd}), maximum ²	[N]	1000
Input/drive shaft torque (M _{ta}), maximum	[Nm]	45
Screw diameter (d _o)	[mm]	25
Screw lead (p)	[mm]	5, 10, 25
Weight	[kg]	
of unit with zero stroke		14,3
of every 100 mm of stroke		1,72
of carriage		4,00
of option single screw support		1,86
of option double screw supports		4,42

¹ See next page for deviating values of units with other carriage types.

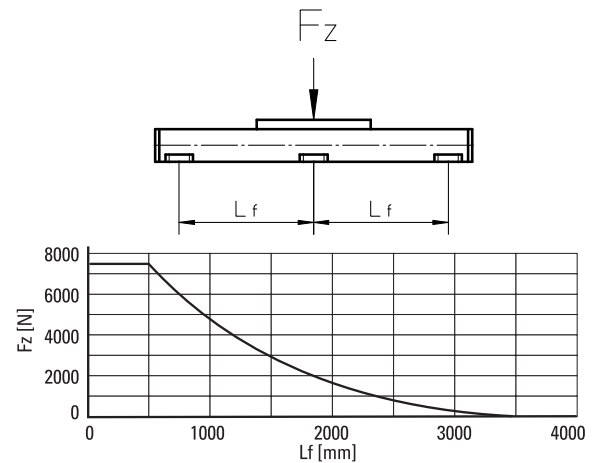
² Only relevant for units without RediMount flange.

Carriage Idle Torque (M_{idle}) [Nm]

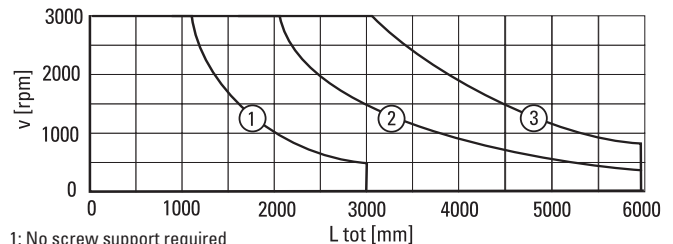
Input speed [rpm]	Screw lead [mm]		
	p = 5	p = 10	p = 25
500 - no screw supports	0,08	0,14	0,32
500 - with screw supports	0,1	0,16	0,37

M_{idle} = the input torque needed to move the carriage with no load on it.

Deflection of the Profile

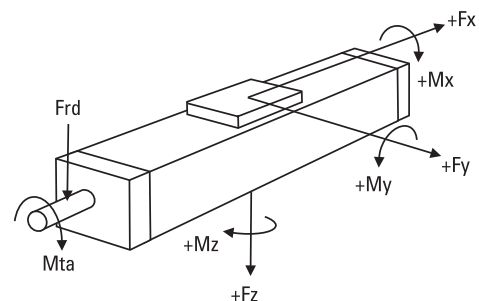


Critical Speed



- 1: No screw support required
- 2: Single screw support required
- 3: Double screw supports required

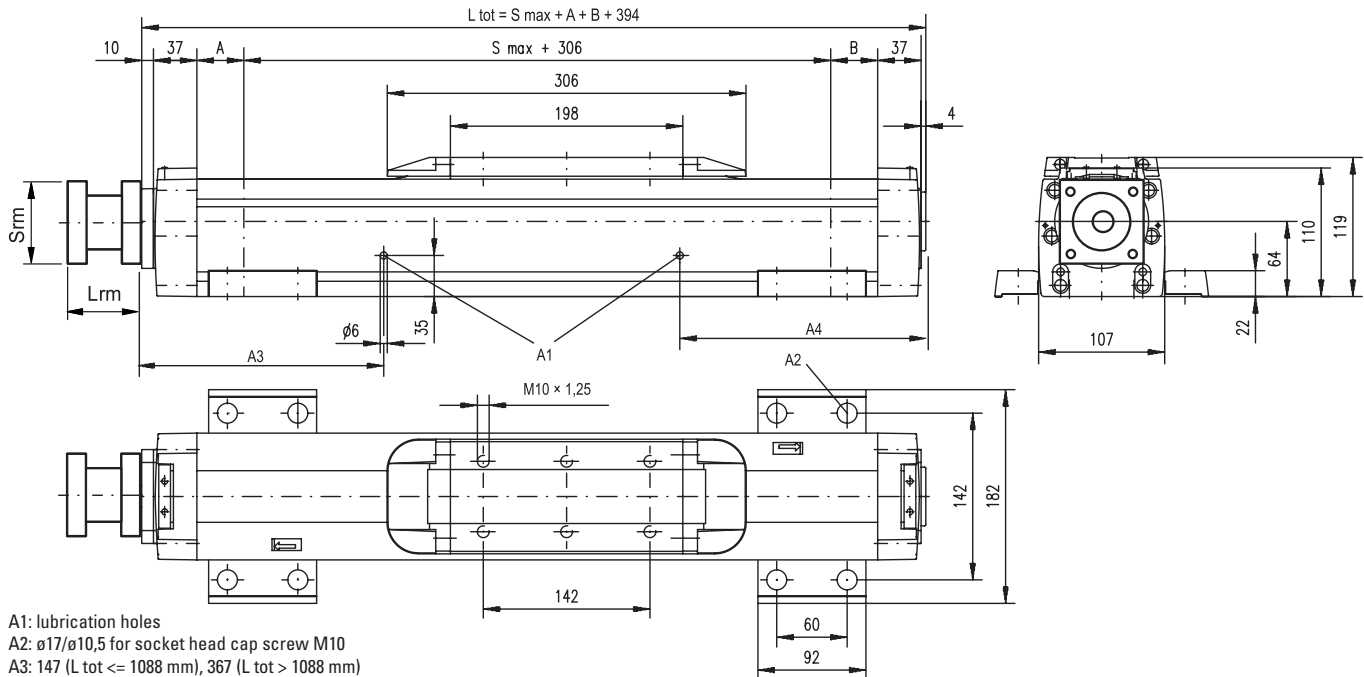
Definition of Forces



M100

Ball Screw Drive, Ball Guide

Dimensions	Projection	Online Sizing & Selection!
METRIC		www.LinearMotioneering.com



- A1: lubrication holes
- A2: $\phi 17/\phi 10,5$ for socket head cap screw M10
- A3: 147 (L tot \leq 1088 mm), 367 (L tot $>$ 1088 mm)
- A4: 141 (L tot \leq 1088 mm), 471 (L tot $>$ 1088 mm)

Screw support configuration	A [mm]	B [mm]	Total length (L tot) [mm]
No screw support	1	1	$L_{tot} = S_{max} + A + B + 394$
Single screw support	31	31	$L_{tot} = S_{max} + A + B + 394$
Double screw supports	86	86	$L_{tot} = S_{max} + A + B + 394$

Parameter	Min	Max
Flange length (Lrm) [mm]	81	143
Flange square (Srm) [mm]	90	200
Flange weight * [kg]	5,60	

* Max. weight including coupling and fastening screws

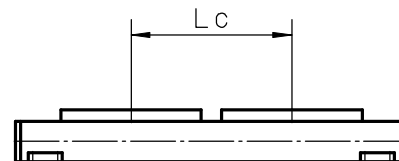
Performance Specifications

for Units with Double Standard Carriage (C)

Parameter	M100
Stroke length (Smax), maximum [mm]	5228 4028
Total length (L tot), maximum [mm]	5974 4774
Minimum distance between carriages (Lc) [mm]	350
Dynamic load (Fy), maximum [N]	7500
Dynamic load (Fz), maximum [N]	7500
Dynamic load torque (My), maximum [Nm]	$L_c^1 \times 3,75$
Dynamic load torque (Mz), maximum [Nm]	$L_c^1 \times 3,75$
Force required to move second carriage [N]	2
Weight of unit with zero stroke of carriages [kg]	25,3 8,0

Screw support configuration	A [mm]	B [mm]	Total length (L tot) [mm]
No screw support	1	1	$L_{tot} = S_{max} + A + B + L_c + 394$
Single screw support	31	31	$L_{tot} = S_{max} + A + B + L_c + 394$
Double screw supports	86	86	$L_{tot} = S_{max} + A + B + L_c + 394$

¹ Value in mm



2HB10

Ball Screw Drive, Ball Guide

» Ordering key - see page 180

» Accessories - see page 117

General Specifications

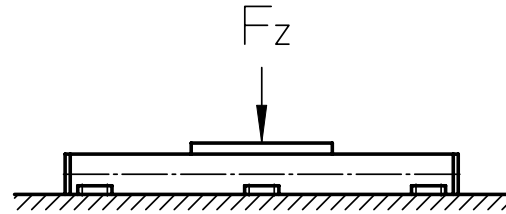
Parameter	2HB10
Profile size (w × h) [mm]	100 × 60
Type of screw	ball screw
Carriage sealing system	none (optional shroud or bellows)
Screw supports	none
Lubrication	lubrication of screw and guides
Included accessories	RediMount™ kit

Performance Specifications

Parameter		2HB10
Stroke length (Smax), maximum	[mm]	1375
Linear speed, maximum	[m/s]	0,47
Acceleration, maximum	[m/s ²]	9,8
Repeatability	[± mm]	0,005
Input speed, maximum	[rpm]	2800
Operation temperature limits	[°C]	-20 – 80
Dynamic load (Fx), maximum	[N]	2100
Dynamic load (Fy), maximum	[N]	8000
Dynamic load (Fz), maximum	[N]	8000
Dynamic load torque (Mx), maximum	[Nm]	279
Dynamic load torque (My), maximum	[Nm]	216
Dynamic load torque (Mz), maximum	[Nm]	216
Drive shaft force (Frd), maximum ¹	[N]	533
Input/drive shaft torque (Mta), maximum	[Nm]	1,86
Ball screw diameter (d0)	[mm]	16
Ball screw lead (p)	[mm]	5, 10
Weight	[kg]	
of unit with zero stroke		2,59
of every 100 mm of stroke		0,69
of each carriage		0,82

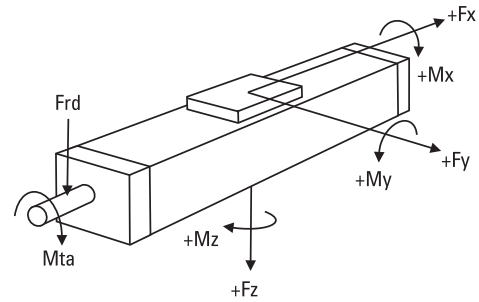
¹ Only relevant for units without RediMount flange.

Deflection of the Profile



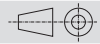
The unit must be continuously supported by a machined surface under its entire length.

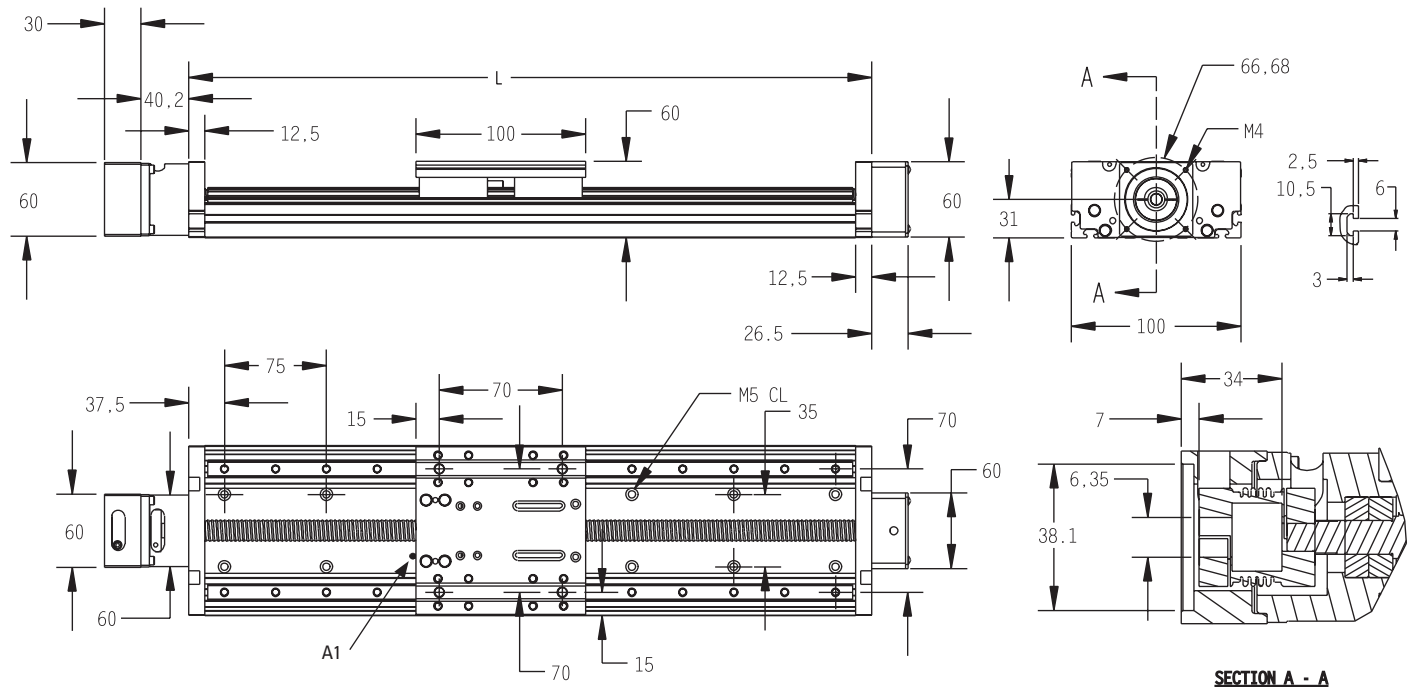
Definition of Forces



2HB10

Ball Screw Drive, Ball Guide

Dimensions	Projection	Online Sizing & Selection!
METRIC		www.LinearMotioneering.com



A1: lubrication nipple (using the unit with the nipple mounted makes the stroke 10 mm shorter).

Standard NEMA23 motor dimensions are shown. Other mounting sizes are available and easily configured. Please see www.LinearMotioneering.com for details.

Ordering Length (L) and Maximum Stroke (Smax)

$$L = S_{max} + 125$$

2HB20

Ball Screw Drive, Ball Guide

» Ordering key - see page 180

» Accessories - see page 117

General Specifications

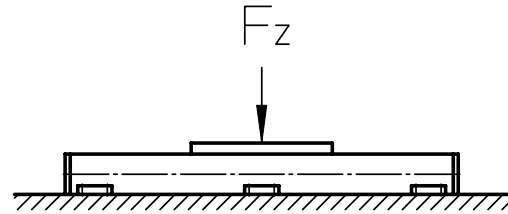
Parameter	2HB20
Profile size (w × h) [mm]	200 × 90
Type of screw	ball screw
Carriage sealing system	none (optional shroud or bellows)
Screw supports	none
Lubrication	lubrication of screw and guides
Included accessories	RediMount™ kit

Performance Specifications

Parameter		2HB20
Stroke length (Smax), maximum	[mm]	2760
Linear speed, maximum	[m/s]	0,75
Acceleration, maximum	[m/s ²]	9,8
Repeatability	[± mm]	0,005
Input speed, maximum	[rpm]	1800
Operation temperature limits	[°C]	-20 – 80
Dynamic load (Fx), maximum	[N]	4697
Dynamic load (Fy), maximum	[N]	34000
Dynamic load (Fz), maximum	[N]	34000
Dynamic load torque (Mx), maximum	[Nm]	2463
Dynamic load torque (My), maximum	[Nm]	1903
Dynamic load torque (Mz), maximum	[Nm]	1903
Drive shaft force (Frd), maximum ¹	[N]	533
Input/drive shaft torque (Mta), maximum	[Nm]	15,5
Ball screw diameter (d0)	[mm]	25
Ball screw lead (p)	[mm]	5, 10, 25
Weight	[kg]	
of unit with zero stroke		13,32
of every 100 mm of stroke		1,70
of each carriage		4,47

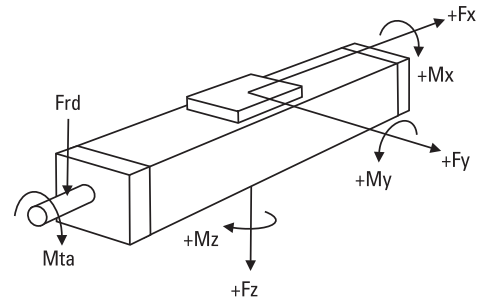
¹ Only relevant for units without RediMount flange.

Deflection of the Profile



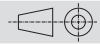
The unit must be continuously supported by a machined surface under its entire length.

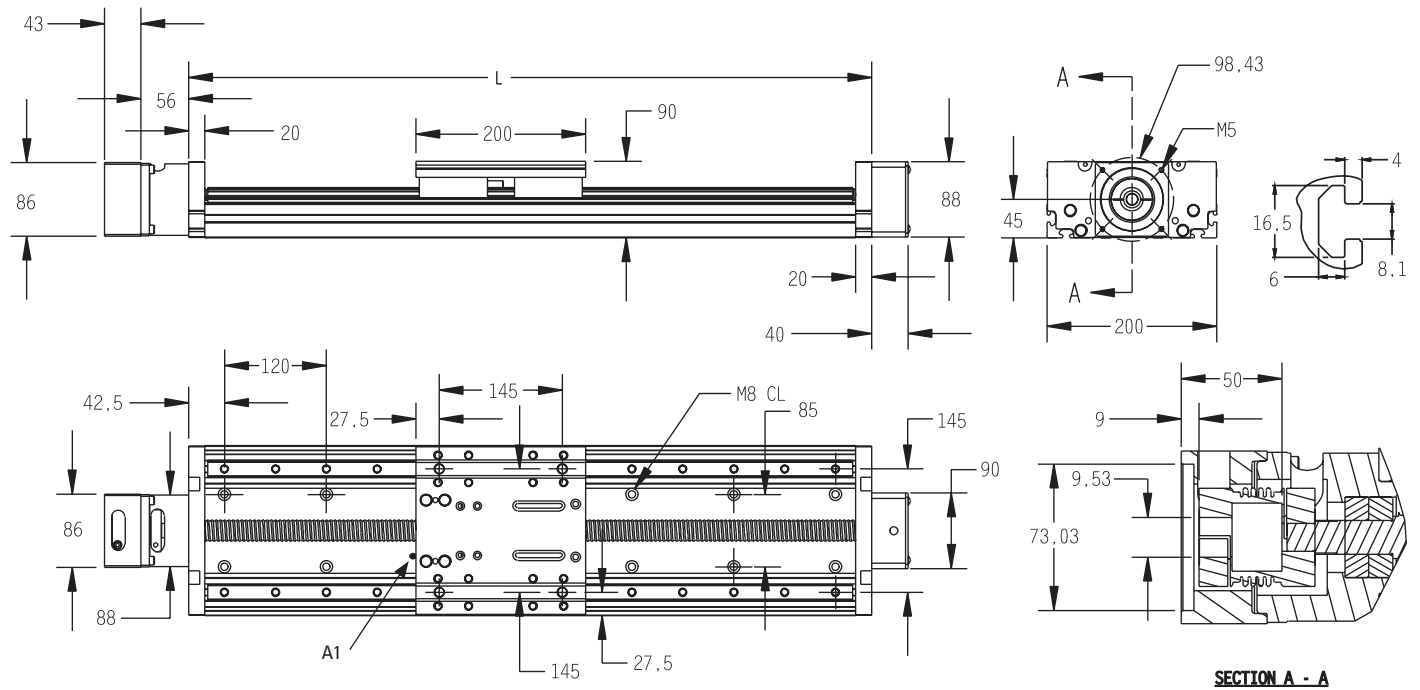
Definition of Forces



2HB20

Ball Screw Drive, Ball Guide

Dimensions	Projection	Online Sizing & Selection!
METRIC		www.LinearMotioneering.com



A1: lubrication nipple (using the unit with the nipple mounted makes the stroke 10 mm shorter).

Standard NEMA23 motor dimensions are shown. Other mounting sizes are available and easily configured. Please see www.LinearMotioneering.com for details.

Ordering Length (L) and Maximum Stroke (Smax)

$$L = S_{max} + 240$$

2RB12

Ball Screw Drive, Ball Guide

» Ordering key - see page 181

» Accessories - see page 117

General Specifications

Parameter	2RB12
Profile size (w × h) [mm] ¹	130 × 40
Type of screw	ball screw
Carriage sealing system	none (optional bellows)
Screw supports	none
Lubrication	lubrication of screws and guides
Included accessories	RediMount™ kit

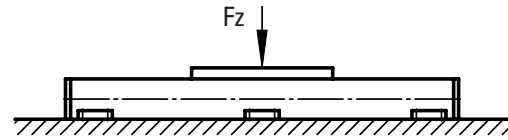
¹ Base width × carriage height.

Performance Specifications

Parameter		2RB12
Stroke length (Smax), maximum	[mm]	1951
Linear speed, maximum	[m/s]	0,47
Acceleration, maximum	[m/s ²]	9,8
Repeatability	[± mm]	0,005
Accuracy	[± mm]	0,025 / 300 mm
Input speed, maximum	[rpm]	2800
Operation temperature limits	[°C]	-20 – 80
Dynamic load (Fx), maximum	[N]	2100
Dynamic load (Fy), maximum	[N]	880
Dynamic load (Fz), maximum	[N]	1760
Dynamic load torque (Mx), maximum	[Nm]	65,5
Dynamic load torque (My), maximum	[Nm]	76,8
Dynamic load torque (Mz), maximum	[Nm]	38,4
Drive shaft force (Frd), maximum ¹	[N]	533
Input/drive shaft torque (Mta), maximum	[Nm]	1,86
Ball screw diameter (d0)	[mm]	16
Ball screw lead (p)	[mm]	5, 10
Weight	[kg]	
of unit with zero stroke		3,88
of every 100 mm of stroke		0,93
of each carriage		1,32

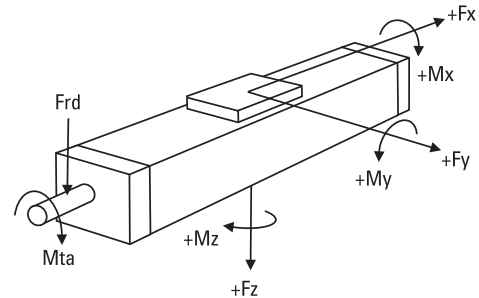
¹ Only relevant for units without RediMount flange.

Deflection of the Profile



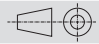
The unit must be continuously supported by a machined surface under its entire length.

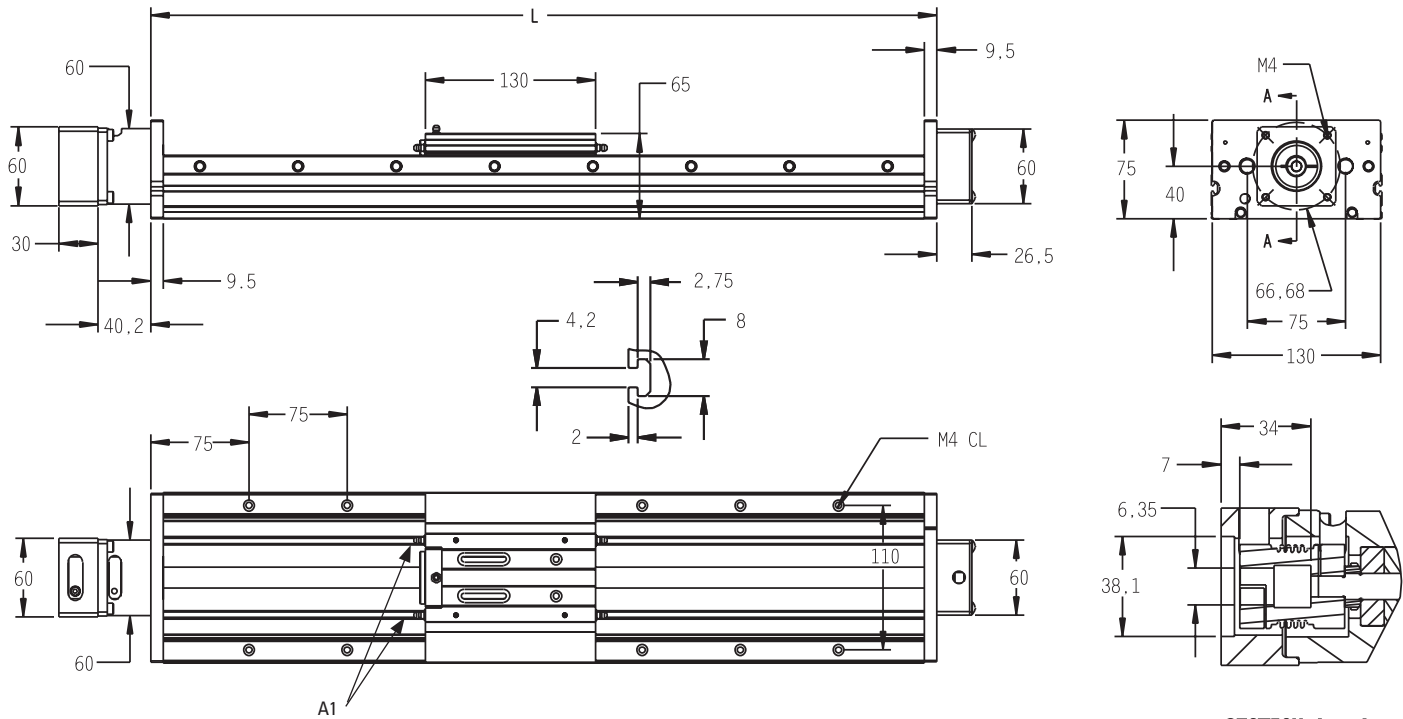
Definition of Forces



2RB12

Ball Screw Drive, Ball Guide

Dimensions	Projection	Online Sizing & Selection!
METRIC		www.LinearMotioneering.com



A1: lubrication nipples (using the unit with the nipples mounted makes the stroke 10 mm shorter).

Standard NEMA23 motor dimensions are shown. Other mounting sizes are available and easily configured. Please see www.LinearMotioneering.com for details.

Ordering Length (L) and Maximum Stroke (Smax)
$L = S_{max} + 149$

2RB16

Ball Screw Drive, Ball Guide

» Ordering key - see page 181

» Accessories - see page 117

General Specifications

Parameter	2RB16
Profile size (w × h) [mm] ¹	160 × 48
Type of screw	ball screw
Carriage sealing system	none (optional bellows)
Screw supports	none
Lubrication	lubrication of screws and guides
Included accessories	RediMount™ kit

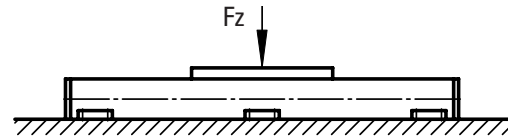
¹ Base width × carriage height.

Performance Specifications

Parameter		2RB16
Stroke length (Smax), maximum	[mm]	2815
Linear speed, maximum	[m/s]	0,73
Acceleration, maximum	[m/s ²]	9,8
Repeatability	[± mm]	0,005
Accuracy	[± mm]	0,025 / 300 mm
Input speed, maximum	[rpm]	2200
Operation temperature limits	[°C]	-20 – 80
Dynamic load (Fx), maximum	[N]	2998
Dynamic load (Fy), maximum	[N]	2588
Dynamic load (Fz), maximum	[N]	5176
Dynamic load torque (Mx), maximum	[Nm]	243
Dynamic load torque (My), maximum	[Nm]	299
Dynamic load torque (Mz), maximum	[Nm]	150
Drive shaft force (Frd), maximum ¹	[N]	533
Input/drive shaft torque (Mta), maximum	[Nm]	2,66
Ball screw diameter (d0)	[mm]	20
Ball screw lead (p)	[mm]	5, 10, 20
Weight	[kg]	
of unit with zero stroke		6,17
of every 100 mm of stroke		1,44
of each carriage		2,25

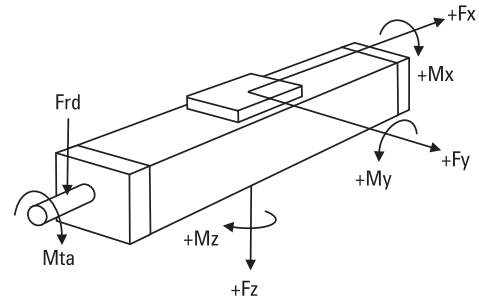
¹ Only relevant for units without RediMount flange.

Deflection of the Profile



The unit must be continuously supported by a machined surface under its entire length.

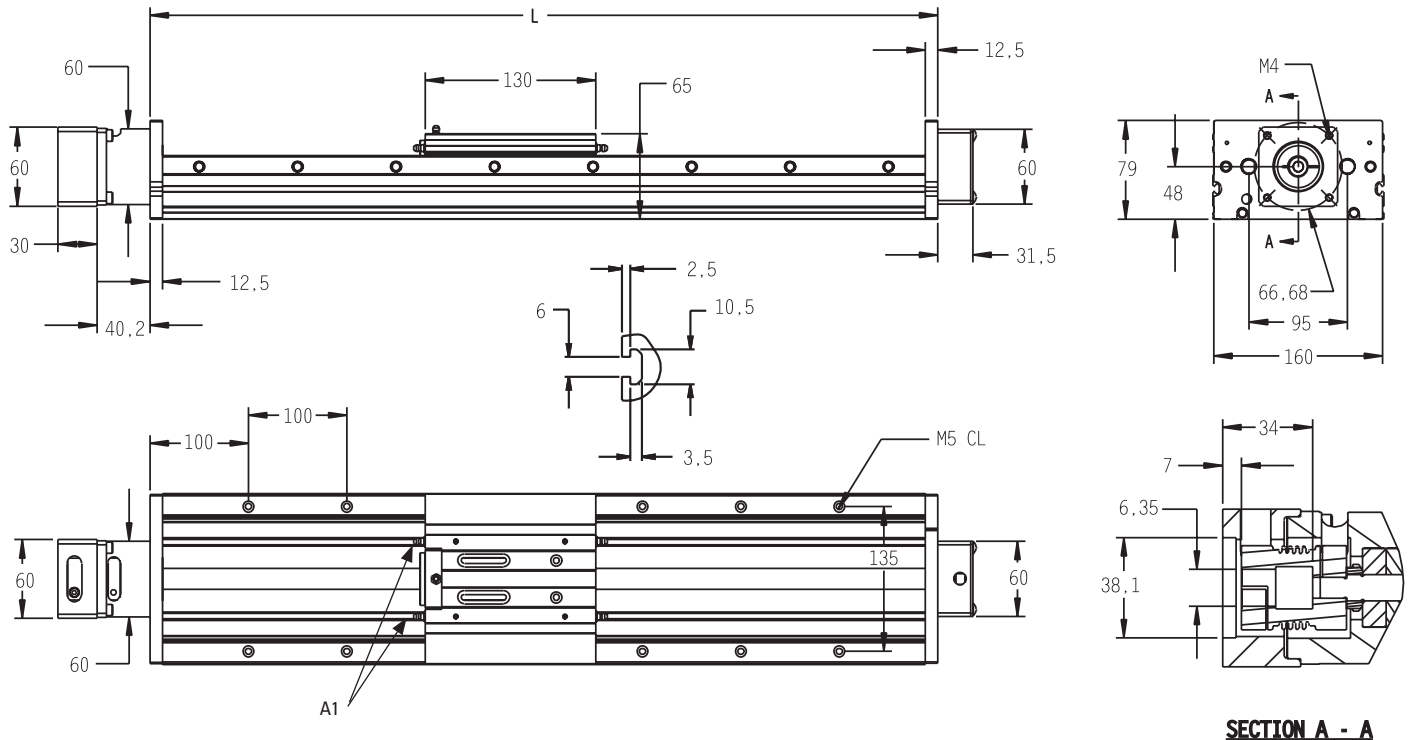
Definition of Forces



2RB16

Ball Screw Drive, Ball Guide

Dimensions	Projection	Online Sizing & Selection!
METRIC		www.LinearMotioneering.com



SECTION A - A

A1: lubrication nipples (using the unit with the nipples mounted makes the stroke 10 mm shorter).

Standard NEMA23 motor dimensions are shown. Other mounting sizes are available and easily configured. Please see www.LinearMotioneering.com for details.

Ordering Length (L) and Maximum Stroke (Smax)
$L = S_{max} + 185$



2DB08

Lead Screw Drive, Ball Guide – Inch Interface

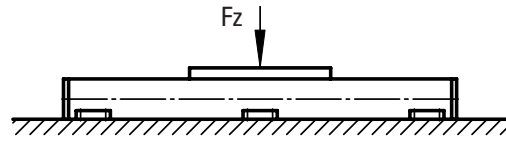
» Ordering key - see page 182

» Accessories - see page 117

General Specifications

Parameter	2DB08
Profile size (w × h) [inch]	4.50 × 1.625
Type of screw	lead screw
Carriage sealing system	none (optional bellows)
Screw supports	none
Lubrication	lubrication of screws and guides
Included accessories	RediMount™ kit

Deflection of the Profile



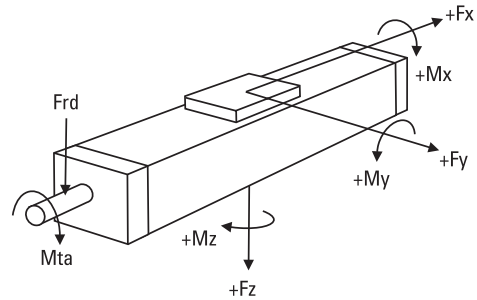
The unit must be continuously supported by a machined surface under its entire length.

Performance Specifications

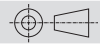
Parameter		2DB08
Stroke length (Smax), maximum	[inch]	41
Linear speed, maximum	[inch/sec]	33.3
Acceleration, maximum	[inch/s ²]	385
Repeatability	[± inch]	0.0002
Accuracy	[± inch]	0.007 / 11.81 in
Input speed, maximum	[rpm]	2000
Operation temperature limits	[°F]	-4 – 176
Dynamic load (Fx), maximum	[lbs]	20
Dynamic load (Fy), maximum	[lbs]	168
Dynamic load (Fz), maximum	[lbs]	336
Dynamic load torque (Mx), maximum	[lbf-in]	500
Dynamic load torque (My), maximum	[lbf-in]	500
Dynamic load torque (Mz), maximum	[lbf-in]	250
Drive shaft force (Frd), maximum ¹	[lbf]	50
Input/drive shaft torque (Mta), maximum	[lbf-in]	3.54
Lead screw diameter (d _o)	[inch]	0.375
Lead screw lead (p)	[inch]	0.1, 0.25, 0.5, 0.75, 1
Weight	[lb]	
of unit with zero stroke		5.93
of every 100 mm of stroke		1.16
of each carriage		1.89

¹ With radial mount option only

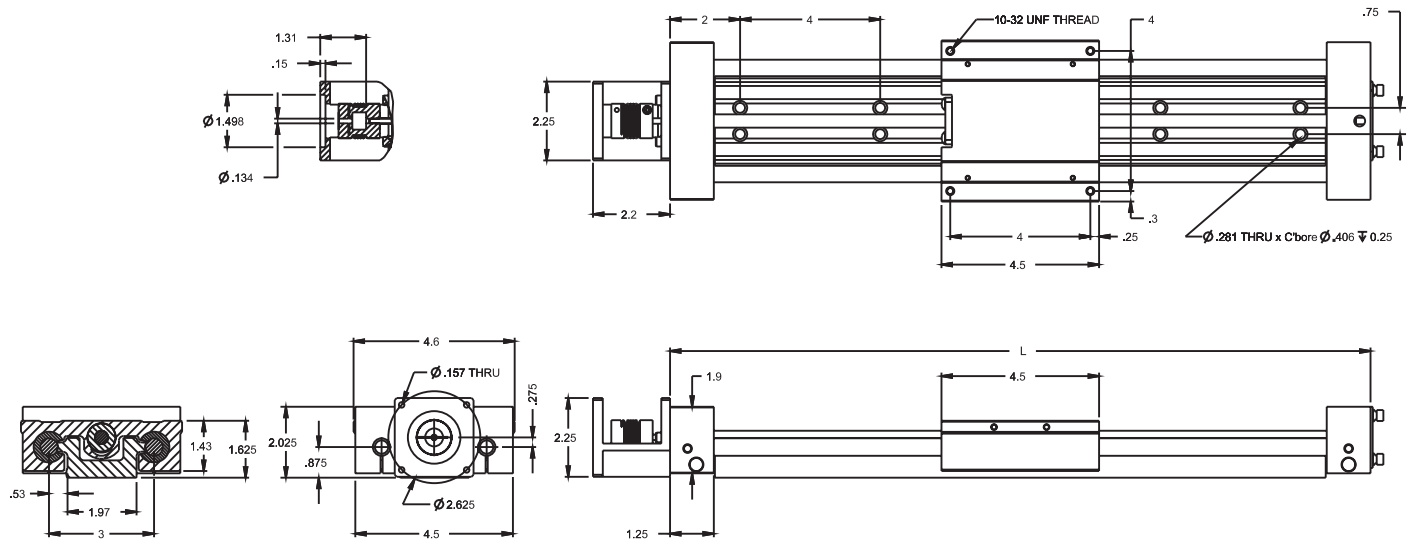
Definition of Forces



2DB08

Dimensions	Projection	Online Sizing & Selection!
INCH		www.LinearMotioneering.com

Lead Screw Drive, Ball Guide – Inch Interface



Standard NEMA23 motor dimensions are shown. Other mounting sizes are available and easily configured. Please see www.LinearMotioneering.com for details.

Ordering Length (L) and Maximum Stroke (Smax)
 $L = S_{max} + 7.0$



2DB120

Ball Screw Drive, Ball Guide – Inch Interface

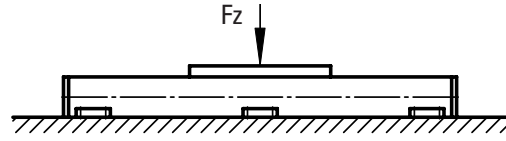
» Ordering key - see page 182

» Accessories - see page 117

General Specifications

Parameter	2DB120
Profile size (w × h) [inch]	6 × 2.125
Type of screw	ball screw
Carriage sealing system	none (optional bellows)
Screw supports	none
Lubrication	lubrication of screws and guides
Included accessories	RediMount™ kit

Deflection of the Profile



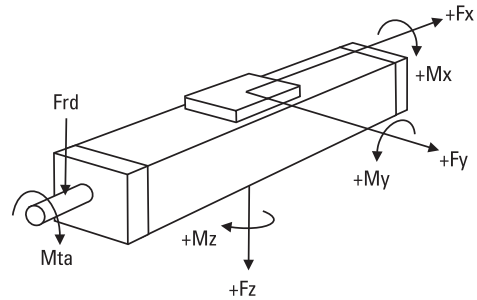
The unit must be continuously supported by a machined surface under its entire length.

Performance Specifications

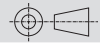
Parameter		2DB120
Stroke length (Smax), maximum	[inch]	63
Linear speed, maximum	[inch/sec]	10.0
Acceleration, maximum	[inch/s ²]	385
Repeatability standard nut preloaded nut	[± inch]	0.0020 0.0002
Accuracy	[± inch]	0.002 / 12 in
Input speed, maximum	[rpm]	3000
Operation temperature limits	[°F]	-4 – 176
Dynamic load (Fx), maximum	[lbs]	190
Dynamic load (Fy), maximum	[lbs]	1058
Dynamic load (Fz), maximum	[lbs]	2115
Dynamic load torque (Mx), maximum	[lbf-in]	4150
Dynamic load torque (My), maximum	[lbf-in]	4150
Dynamic load torque (Mz), maximum	[lbf-in]	2071
Drive shaft force (Frd), maximum ¹	[lbf]	120
Input/drive shaft torque (Mta), maximum	[lbf-in]	6.73
Ball screw diameter (d0)	[inch]	0.5
Ball screw lead (p)	[inch]	0.631
Weight	[lb]	
of unit with zero stroke		13.17
of every 100 mm of stroke		2.30
of each carriage		4.29

¹ With radial mount option only.

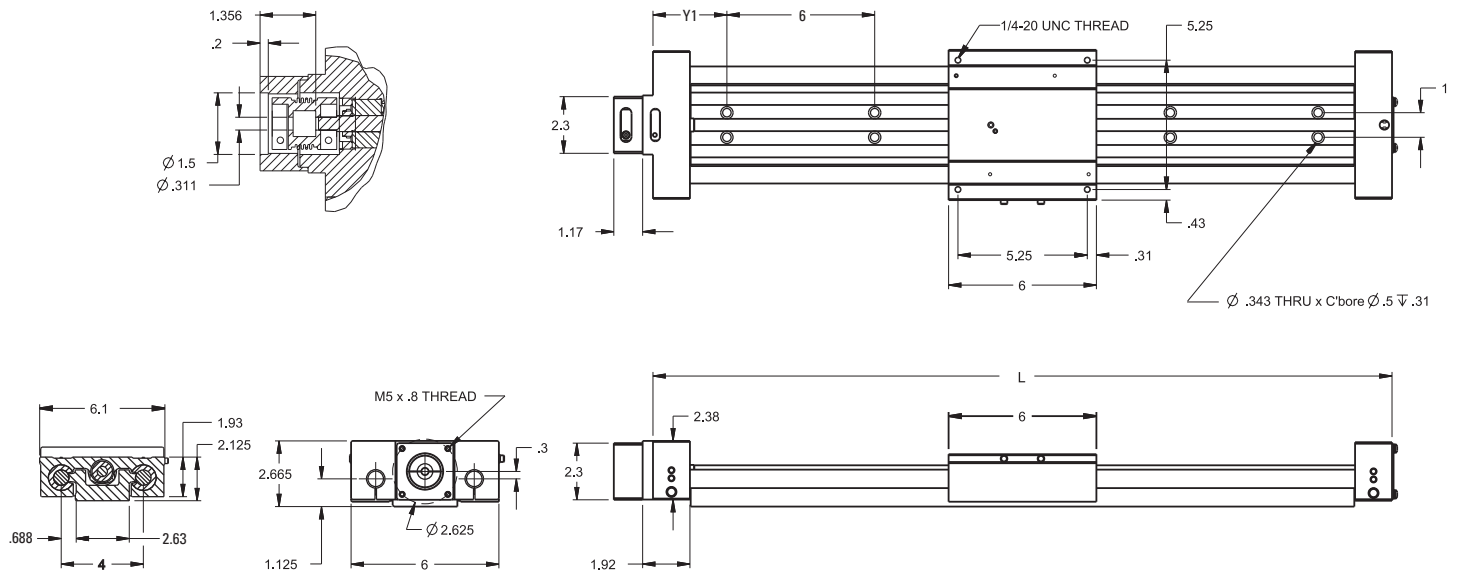
Definition of Forces



2DB120

Dimensions	Projection	Online Sizing & Selection!
INCH		www.LinearMotioneering.com

Ball Screw Drive, Ball Guide – Inch Interface



Standard NEMA23 motor dimensions are shown. Other mounting sizes are available and easily configured. Please see www.LinearMotioneering.com for details.

Ordering Length (L) and Maximum Stroke (S_{max})

$$L = S_{max} + 9.0$$



2DB12J

Ball Screw Drive, Ball Guide – Inch Interface

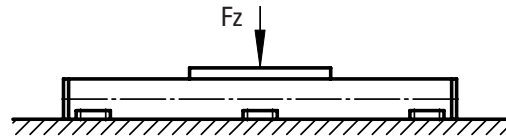
» Ordering key - see page 182

» Accessories - see page 117

General Specifications

Parameter	2DB12J
Profile size (w × h) [inch]	6 × 2.562
Type of screw	ball screw
Carriage sealing system	none (optional bellows)
Screw supports	none
Lubrication	lubrication of screws and guides
Included accessories	RediMount™ kit

Deflection of the Profile



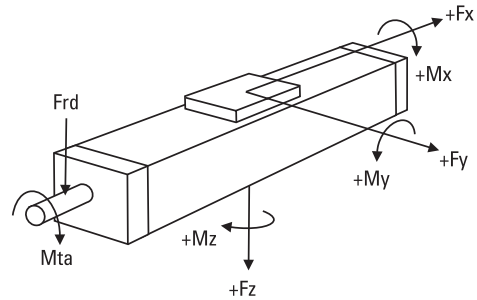
The unit must be continuously supported by a machined surface under its entire length.

Performance Specifications

Parameter		2DB12J
Stroke length (Smax), maximum	[inch]	63
Linear speed, maximum	[inch/sec]	25.0
Acceleration, maximum	[inch/s ²]	385
Repeatability	[± inch]	0.0002
Accuracy	[± inch]	0.002 / 12 in
Input speed, maximum	[rpm]	3000
Operation temperature limits	[°F]	-4 – 176
Dynamic load (Fx), maximum	[lbs]	375
Dynamic load (Fy), maximum	[lbs]	1058
Dynamic load (Fz), maximum	[lbs]	2115
Dynamic load torque (Mx), maximum	[lbf-in]	4150
Dynamic load torque (My), maximum	[lbf-in]	4150
Dynamic load torque (Mz), maximum	[lbf-in]	2071
Drive shaft force (Frd), maximum ¹	[lbf]	120
Input/drive shaft torque (Mta), maximum	[lbf-in]	33.19
Ball screw diameter (do)	[inch]	0.50
Ball screw lead (p)	[inch]	0.5
Weight	[lb]	
of unit with zero stroke		13.58
of every 100 mm of stroke		2.296
of each carriage		4.850

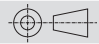
¹ With radial mount option only.

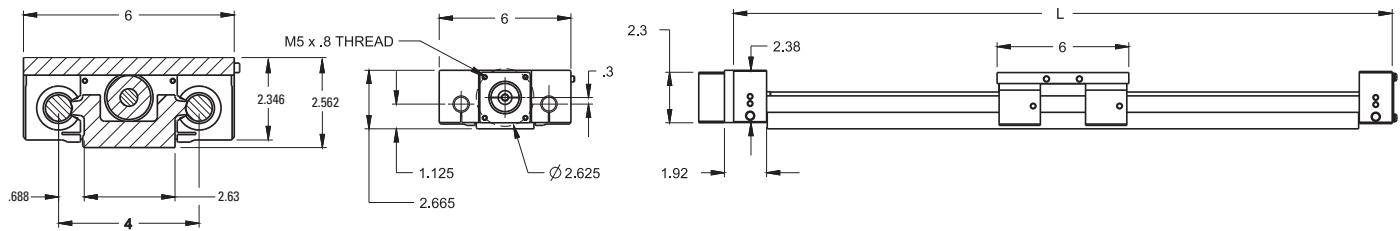
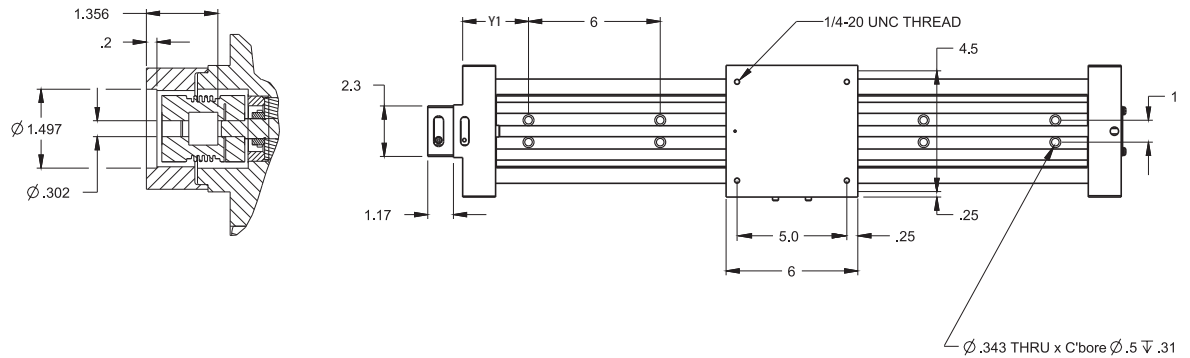
Definition of Forces



2DB12J

Ball Screw Drive, Ball Guide – Inch Interface

Dimensions	Projection	Online Sizing & Selection!
INCH		www.LinearMotioneering.com



Standard NEMA23 motor dimensions are shown. Other mounting sizes are available and easily configured. Please see www.LinearMotioneering.com for details.

Ordering Length (L) and Maximum Stroke (Smax)

$$L = S_{max} + 9.0$$



2DB160

Ball Screw Drive, Ball Guide – Inch Interface

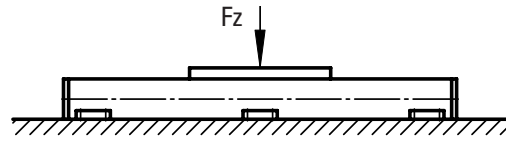
» Ordering key - see page 182

» Accessories - see page 117

General Specifications

Parameter	2DB160
Profile size (w × h) [inch]	7.5 × 2.625
Type of screw	ball screw
Carriage sealing system	none (optional bellows)
Screw supports	none
Lubrication	lubrication of screws and guides
Included accessories	RediMount™ kit

Deflection of the Profile

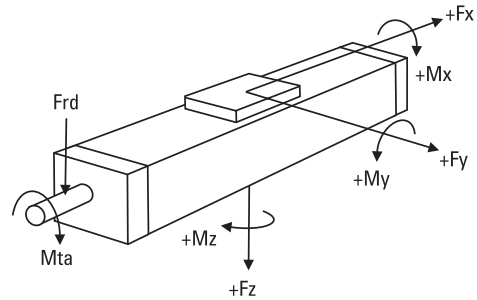


The unit must be continuously supported by a machined surface under its entire length.

Performance Specifications

Parameter		2DB160
Stroke length (Smax), maximum	[inch]	84.5
Linear speed, maximum	[inch/sec]	8.3
Acceleration, maximum	[inch/s ²]	385
Repeatability standard nut preloaded nut	[± inch]	0.0020 0.0002
Accuracy	[± inch]	0.002 / 12 in
Input speed, maximum	[rpm]	2500
Operation temperature limits	[°F]	-4 – 176
Dynamic load (Fx), maximum	[lbs]	350
Dynamic load (Fy), maximum	[lbs]	1777
Dynamic load (Fz), maximum	[lbs]	3555
Dynamic load torque (Mx), maximum	[lbf-in]	8850
Dynamic load torque (My), maximum	[lbf-in]	8450
Dynamic load torque (Mz), maximum	[lbf-in]	4195
Drive shaft force (Frd), maximum ¹	[lbf]	120
Input/drive shaft torque (Mta), maximum	[lbf-in]	12.39
Ball screw diameter (do)		
inch diameters	[inch]	0.75
metric diameters	[mm]	20
Ball screw lead (p)		
inch leads	[inch]	0.2
metric leads	[mm]	5,0
Weight	[lb]	
of unit with zero stroke		26.74
of every 100 mm of stroke		3.86
of each carriage		8.61

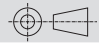
Definition of Forces

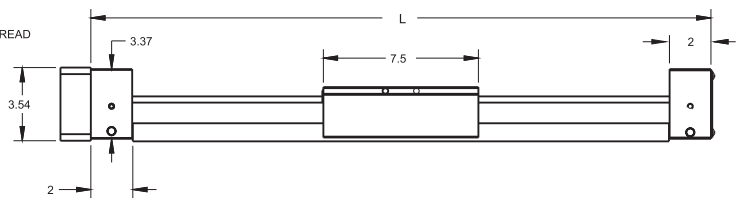
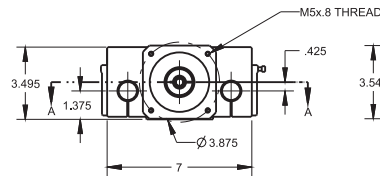
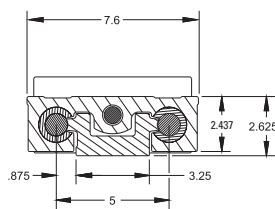
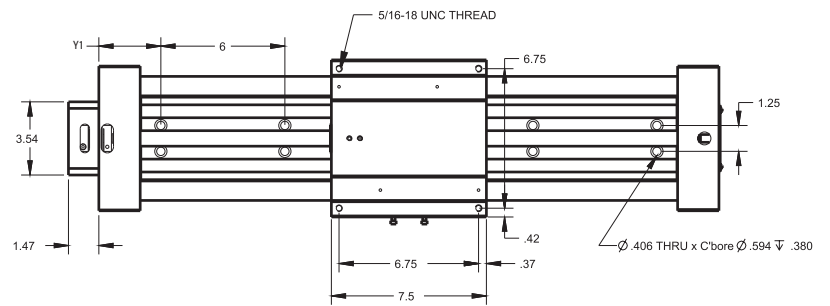
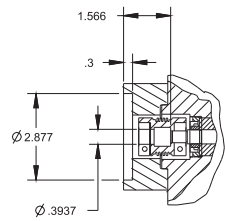


¹ With radial mount option only.

2DB160

Ball Screw Drive, Ball Guide – Inch Interface

Dimensions	Projection	Online Sizing & Selection!
INCH		www.LinearMotioneering.com



Standard NEMA23 motor dimensions are shown. Other mounting sizes are available and easily configured. Please see www.LinearMotioneering.com for details.

Ordering Length (L) and Maximum Stroke (Smax)

$$L = S_{max} + 11.5$$



2DB16J

Ball Screw Drive, Ball Guide – Inch Interface

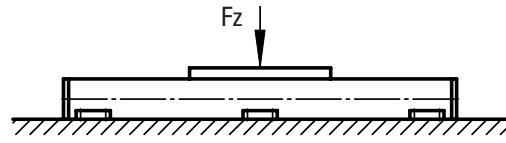
» Ordering key - see page 182

» Accessories - see page 117

General Specifications

Parameter	2DB16J
Profile size (w × h) [inch]	7.5 × 3.062
Type of screw	ball screw
Carriage sealing system	none (optional bellows)
Screw supports	none
Lubrication	lubrication of screws and guides
Included accessories	RediMount™ kit

Deflection of the Profile



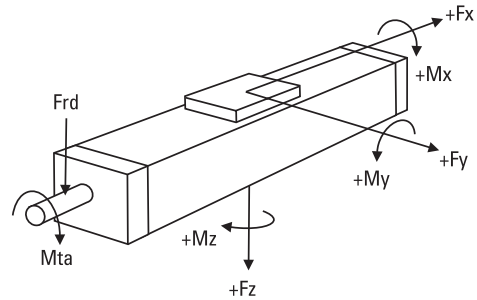
The unit must be continuously supported by a machined surface under its entire length.

Performance Specifications

Parameter		2DB16J
Stroke length (Smax), maximum	[inch]	84.5
Linear speed, maximum	[inch/sec]	41.67
Acceleration, maximum	[inch/s ²]	385
Repeatability	[± inch]	0.0002
Accuracy	[± inch]	0.002 / 12 in
Input speed, maximum	[rpm]	2500
Operation temperature limits	[°F]	-4 – 176
Dynamic load (Fx), maximum	[lbs]	350
Dynamic load (Fy), maximum	[lbs]	1777
Dynamic load (Fz), maximum	[lbs]	3555
Dynamic load torque (Mx), maximum	[lbf-in]	8877
Dynamic load torque (My), maximum	[lbf-in]	8098
Dynamic load torque (Mz), maximum	[lbf-in]	4053
Drive shaft force (Frd), maximum ¹	[lbf]	120
Input/drive shaft torque (Mta), maximum	[lbf-in]	30.98
Ball screw diameter (do)	[inch]	0.631, 0.750
Ball screw lead (p)	[inch]	0.5, 1.0
Weight	[lb]	
of unit with zero stroke		25.73
of every 100 mm of stroke		3.86
of each carriage		7.70

¹ With radial mount option only.

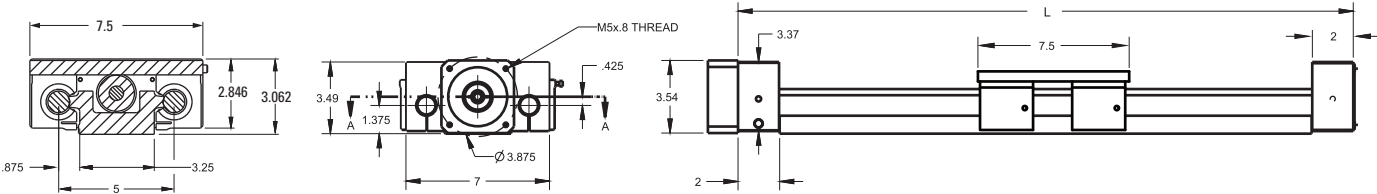
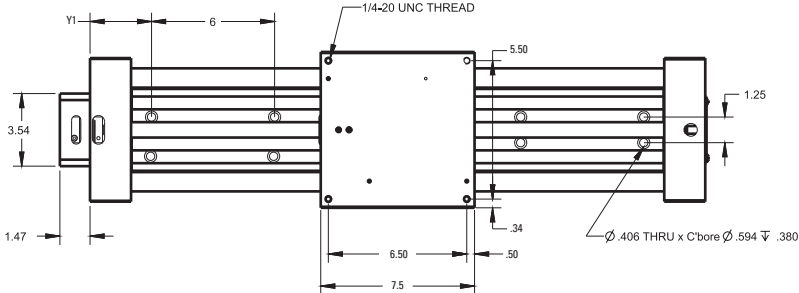
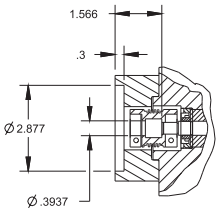
Definition of Forces



2DB16J

Dimensions	Projection	Online Sizing & Selection!
INCH		www.LinearMotioneering.com

Ball Screw Drive, Ball Guide – Inch Interface



Standard NEMA23 motor dimensions are shown. Other mounting sizes are available and easily configured. Please see www.LinearMotioneering.com for details.

Ordering Length (L) and Maximum Stroke (Smax)
 $L = Smax + 11.5$



Linear Motion Systems with Ball Screw Drive and Slide Guide

Overview

Movopart M



Features

- Can be installed in any orientation
- Self-adjusting stainless steel cover band
- Patented internal self-adjusting prism slide guides
- Wash down protected versions available.

Parameter		M55	M75	M100
Profile size (width × height)	[mm]	58 × 55	86 × 75	108 × 100
Stroke length (S _{max}), maximum	[mm]	2712	3772	5578
Linear speed, maximum	[m/s]	1,0	1,6	1,6
Dynamic carriage load (F _z), maximum	[N]	400	1485	3005
Remarks		single ball nut	single ball nut	single ball nut
Page		66	68	70

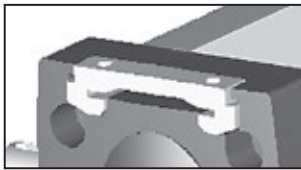
Linear Motion Systems with Ball Screw Drive and Slide Guide

Overview

M-Series Technical Presentation

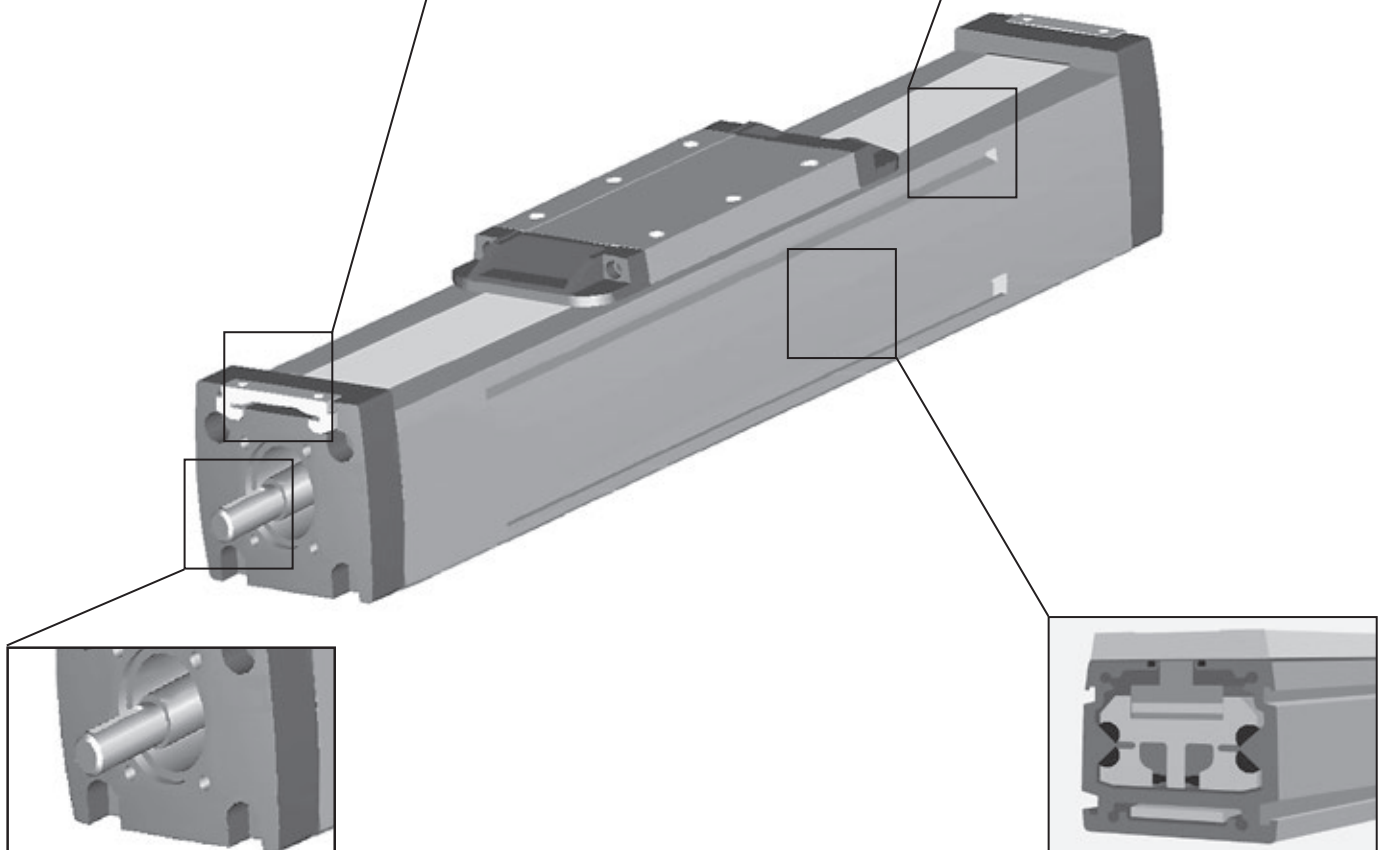
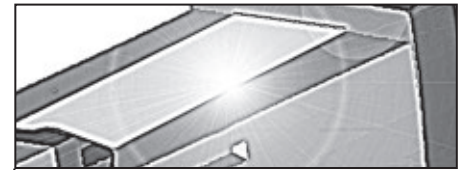
Cover band

The self-adjusting magnetically sealed stainless steel cover band protects the unit from the penetration of dirt, dust and liquids.



Environmental protection

The standard unit can operate in harsh environments but is also available in a wash down version for environments that are dusty, dirty and/or wet.



Ball screw drive

The ball screw ensures high accuracy and efficiency and the optional screw supports enable higher speeds.

Prism slide guides

The patented self-aligning prism slide guides are accurate, durable and are resistant to vibrations and shock loads.

Note! the unit is pictured without a RediMount™ flange

M55

Ball Screw Drive, Slide Guide

» Ordering key - see page 183
 » Accessories - see page 117
 » Additional data - see page 173

General Specifications

Parameter	M55
Profile size (w × h) [mm]	58 × 55
Type of screw	ball screw with single nut
Carriage sealing system	self-adjusting steel cover band
Screw supports	number of screw supports to be specified by customer at order
Lubrication	lubrication of ball screw
Included accessories	none

Carriage Idle Torque (M_{idle}) [Nm]

Input speed [rpm]	Screw lead [mm]		
	$p = 5$	$p = 10$	$p = 20$
500 - no screw supports	0,10	0,15	0,30
500 - with screw supports	0,13	0,27	0,45

M_{idle} = the input torque needed to move the carriage with no load on it.

Performance Specifications

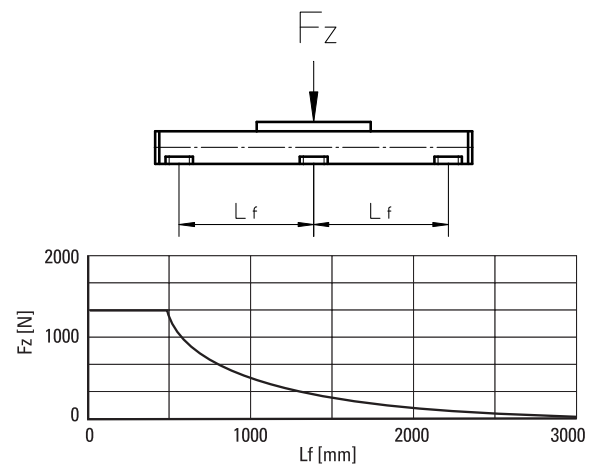
for Units with Single Standard Carriage (A)¹

Parameter		M55
Stroke length (S_{max}), maximum	[mm]	2712
Total length (L_{tot}), maximum	[mm]	2975
Linear speed, maximum	[m/s]	1,0
Acceleration, maximum	[m/s ²]	8
Repeatability	[± mm]	0,05
Input speed, maximum	[rpm]	3000
Operation temperature limits	[°C]	-20 – 70
Dynamic load (F_x), maximum	[N]	1000
Dynamic load (F_y), maximum	[N]	400
Dynamic load (F_z), maximum	[N]	400
Dynamic load torque (M_x), maximum	[Nm]	9
Dynamic load torque (M_y), maximum	[Nm]	23
Dynamic load torque (M_z), maximum	[Nm]	23
Drive shaft force (F_{rd}), maximum ²	[N]	200
Input/drive shaft torque (M_{ta}), maximum	[Nm]	12
Screw diameter (d_o)	[mm]	16
Screw lead (p)	[mm]	5, 10, 20
Weight	[kg]	
of unit with zero stroke		3,06
of every 100 mm of stroke		0,44
of carriage		1,20
of option single screw support		0,83
of option double screw supports		1,88

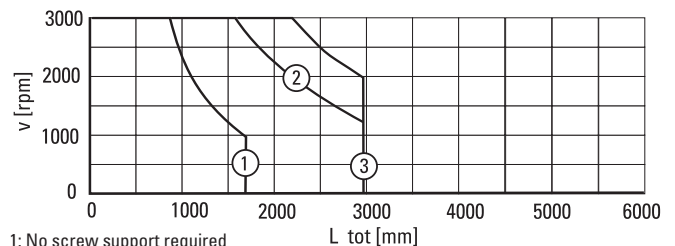
¹ See next page for deviating values of units with other carriage types.

² Only relevant for units without RediMount flange.

Deflection of the Profile

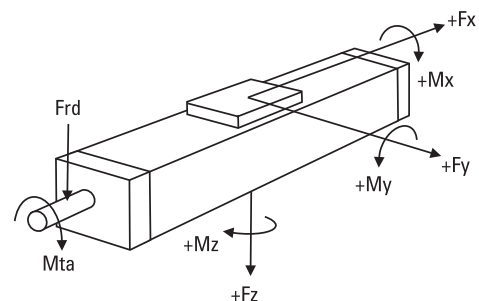


Critical Speed



- 1: No screw support required
- 2: Single screw support required
- 3: Double screw supports required

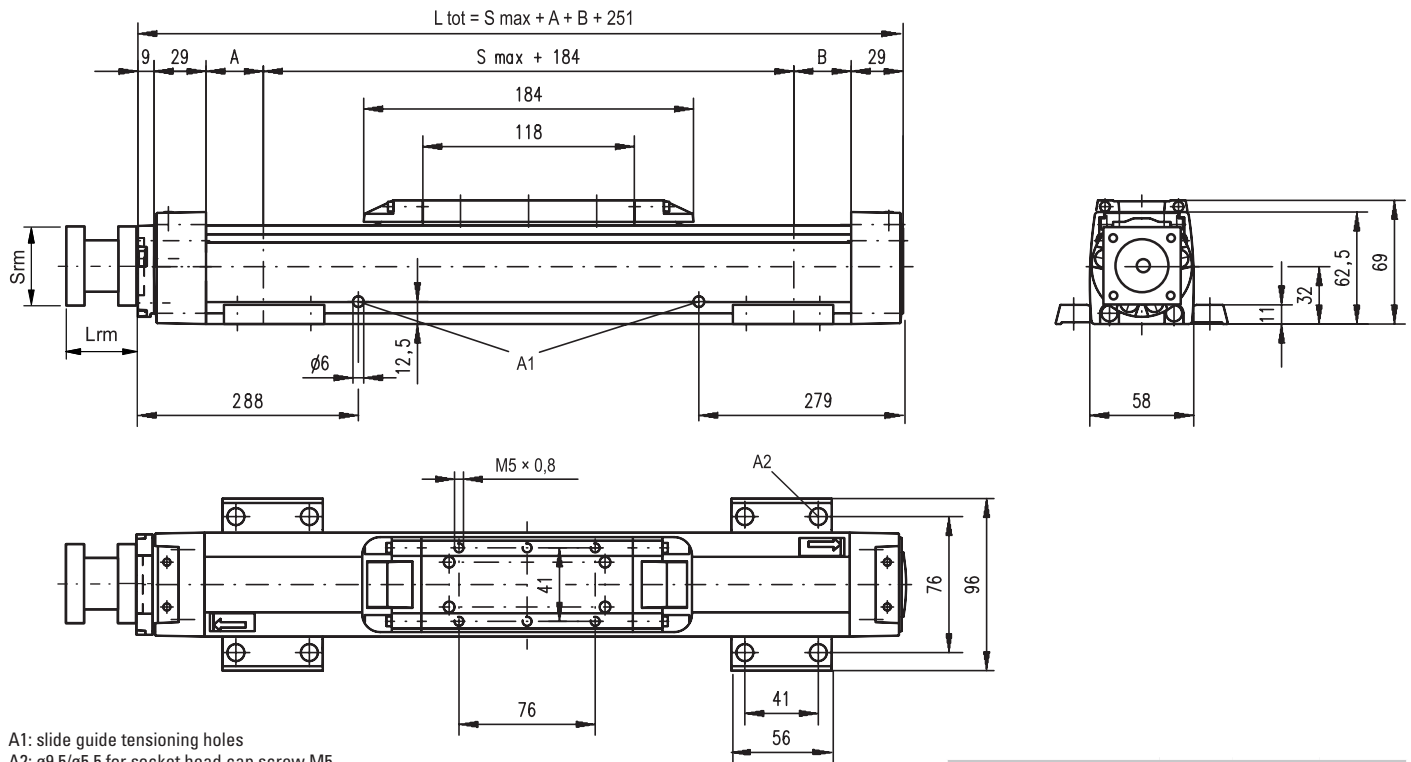
Definition of Forces



M55

Ball Screw Drive, Slide Guide

Dimensions	Projection	Online Sizing & Selection!
METRIC		www.LinearMotioneering.com



A1: slide guide tensioning holes
 A2: ø9,5/ø5,5 for socket head cap screw M5

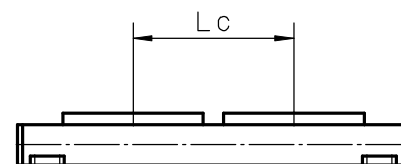
Parameter	Min	Max
Flange length (Lrm) [mm]	57	92
Flange square (Srm) [mm]	60	139
Flange weight * [kg]	1,84	

* Max. weight including coupling and fastening screws

Performance Specifications

for Units with Double Standard Carriage (C)

Parameter	M55
Stroke length (Smax), maximum [mm]	2512
Total length (L tot), maximum [mm]	2975
Minimum distance between carriages (Lc) [mm]	200
Dynamic load (Fy), maximum [N]	600
Dynamic load (Fz), maximum [N]	600
Dynamic load torque (My), maximum [Nm]	$L_c^1 \times 0,3$
Dynamic load torque (Mz), maximum [Nm]	$L_c^1 \times 0,3$
Force required to move second carriage [N]	35
Weight of unit with zero stroke of carriages [kg]	5,14 2,40



Screw support configuration	A [mm]	B [mm]	Total length (L tot) [mm]
No screw support	6	6	$L_{tot} = S_{max} + A + B + L_c + 251$
Single screw support	32	32	$L_{tot} = S_{max} + A + B + L_c + 251$
Double screw supports	83	83	$L_{tot} = S_{max} + A + B + L_c + 251$

¹ Value in mm

M75

Ball Screw Drive, Slide Guide

» Ordering key - see page 183
 » Accessories - see page 117
 » Additional data - see page 173

General Specifications

Parameter	M75
Profile size (w × h) [mm]	86 × 75
Type of screw	ball screw with single nut
Carriage sealing system	self-adjusting steel cover band
Screw supports	number of screw supports to be specified by customer at order
Lubrication	lubrication of ball screw
Included accessories	none

Performance Specifications

for Units with Single Standard Carriage (A)¹

Parameter		M75
Stroke length (S _{max}), maximum	[mm]	3772
screw lead 5, 20 mm		2665
screw lead 12,7 mm		
Total length (L _{tot}), maximum	[mm]	4075
screw lead 5, 20 mm		2968
screw lead 12,7 mm		
Linear speed, maximum	[m/s]	1,6
Acceleration, maximum	[m/s ²]	8
Repeatability	[± mm]	0,05
Input speed, maximum	[rpm]	5000
Operation temperature limits	[°C]	-20 – 70
Dynamic load (F _x), maximum	[N]	2500
Dynamic load (F _y), maximum	[N]	1485
Dynamic load (F _z), maximum	[N]	1485
Dynamic load torque (M _x), maximum	[Nm]	49
Dynamic load torque (M _y), maximum	[Nm]	85
Dynamic load torque (M _z), maximum	[Nm]	85
Drive shaft force (F _{rd}), maximum ²	[N]	600
Input/drive shaft torque (M _{ta}), maximum	[Nm]	30
Screw diameter (d _o)	[mm]	20
Screw lead (p)	[mm]	5, 12,7, 20
Weight	[kg]	
of unit with zero stroke		6,07
of every 100 mm of stroke		0,82
of carriage		1,70
of option single screw support		1,70
of option double screw supports		3,58

¹ See next page for deviating values of units with other carriage types.

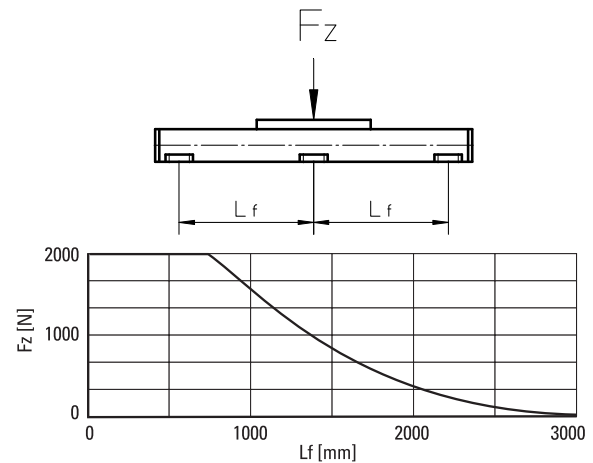
² Only relevant for units without RediMount flange.

Carriage Idle Torque (M_{idle}) [Nm]

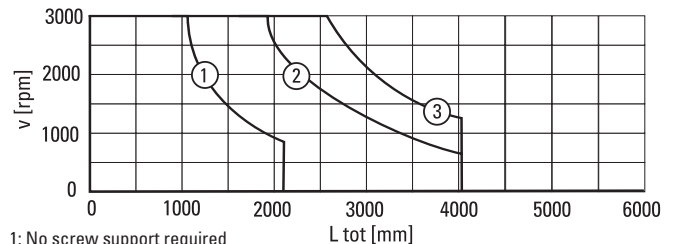
Input speed [rpm]	Screw lead [mm]		
	p = 5	p = 12,7	p = 20
500 - no screw supports	0,10	0,24	0,37
500 - with screw supports	0,15	0,39	0,57

M_{idle} = the input torque needed to move the carriage with no load on it.

Deflection of the Profile

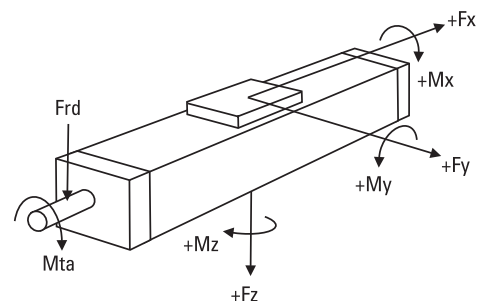


Critical Speed



- 1: No screw support required
- 2: Single screw support required
- 3: Double screw supports required

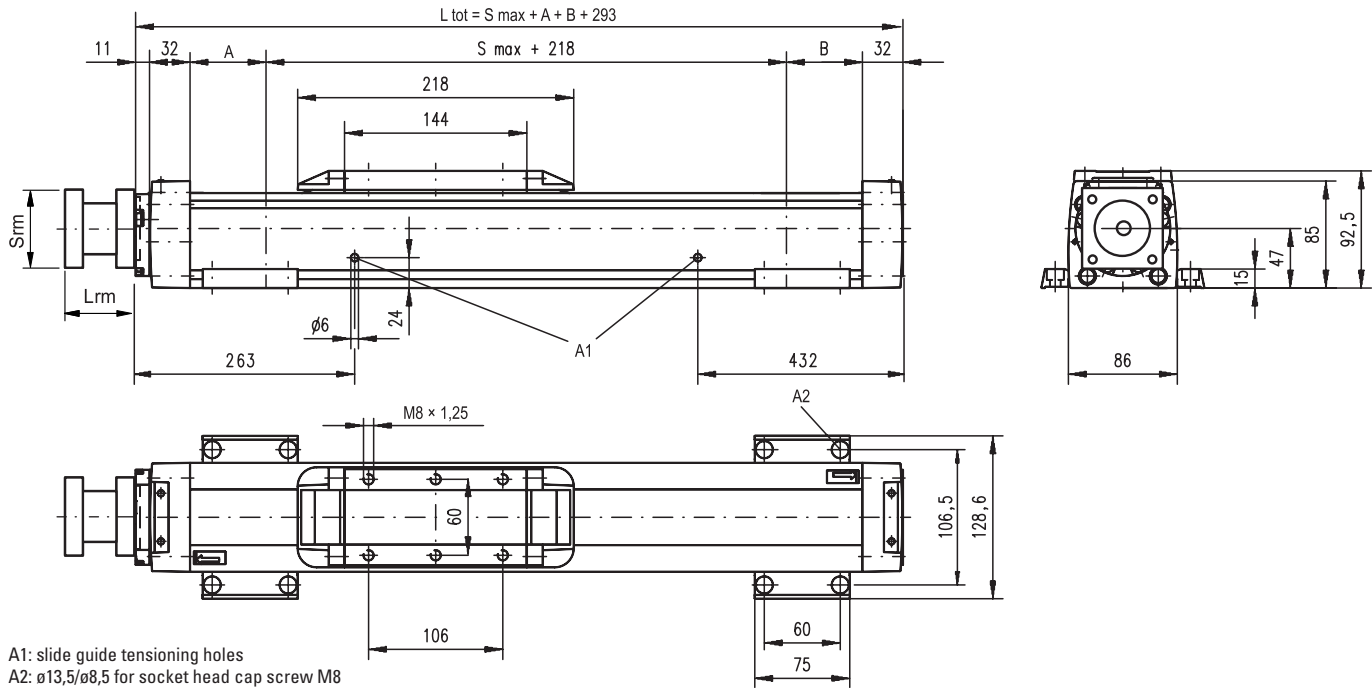
Definition of Forces



M75

Ball Screw Drive, Slide Guide

Dimensions	Projection	Online Sizing & Selection!
METRIC		www.LinearMotioneering.com



A1: slide guide tensioning holes
 A2: ø13,5/ø8,5 for socket head cap screw M8

Screw support configuration	A [mm]	B [mm]	Total length (L tot) [mm]
No screw support	5	5	$L_{tot} = S_{max} + A + B + 293$
Single screw support	60	60	$L_{tot} = S_{max} + A + B + 293$
Double screw supports	126	126	$L_{tot} = S_{max} + A + B + 293$

RediMount Flange Specifications

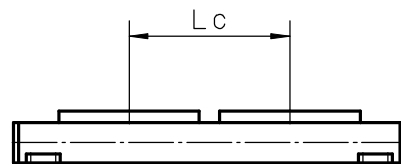
Parameter	Min	Max
Flange length (Lrm) [mm]	81	143
Flange square (Srm) [mm]	90	200
Flange weight * [kg]	5,60	

* Max. weight including coupling and fastening screws

Performance Specifications

for Units with Double Standard Carriage (C)

Parameter	M75
Stroke length (Smax), maximum [mm]	
screw lead 5, 20 mm	3522
screw lead 12,7 mm	2415
Total length (L tot), maximum [mm]	
screw lead 5, 20 mm	4075
screw lead 12,7 mm	2968
Minimum distance between carriages (Lc) [mm]	250
Dynamic load (Fy), maximum [N]	2227
Dynamic load (Fz), maximum [N]	2227
Dynamic load torque (My), maximum [Nm]	$L_c^1 \times 1,114$
Dynamic load torque (Mz), maximum [Nm]	$L_c^1 \times 1,114$
Force required to move second carriage [N]	40
Weight [kg]	
of unit with zero stroke	9,82
of carriages	3,40



Screw support configuration	A [mm]	B [mm]	Total length (L tot) [mm]
No screw support	5	5	$L_{tot} = S_{max} + A + B + L_c + 293$
Single screw support	60	60	$L_{tot} = S_{max} + A + B + L_c + 293$
Double screw supports	126	126	$L_{tot} = S_{max} + A + B + L_c + 293$

¹ Value in mm

M100

Ball Screw Drive, Slide Guide

- » Ordering key - see page 183
- » Accessories - see page 117
- » Additional data - see page 173

General Specifications

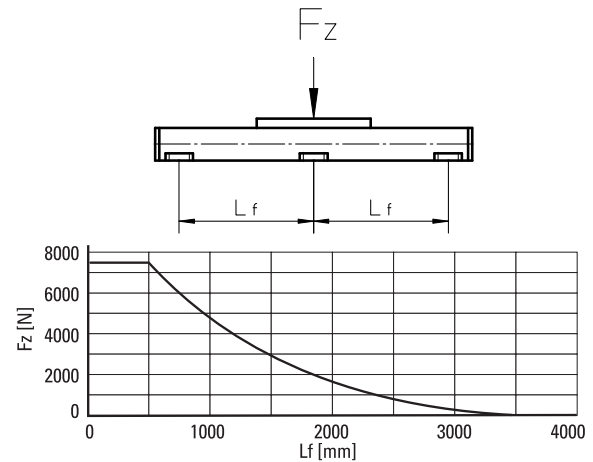
Parameter	M100
Profile size (w × h) [mm]	108 × 100
Type of screw	ball screw with single nut
Carriage sealing system	self-adjusting steel cover band
Screw supports	number of screw supports to be specified by customer at order
Lubrication	lubrication of ball screw
Included accessories	none

Carriage Idle Torque (M_{idle}) [Nm]

Input speed [rpm]	Screw lead [mm]		
	$p = 5$	$p = 10$	$p = 25$
500 - no screw supports	0,15	0,25	0,55
500 - with screw supports	0,25	0,40	0,85

M_{idle} = the input torque needed to move the carriage with no load on it.

Deflection of the Profile

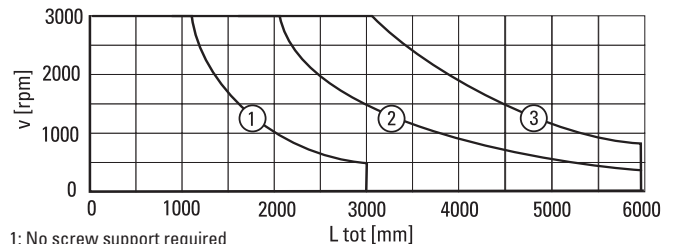


Performance Specifications

for Units with Single Standard Carriage (A)¹

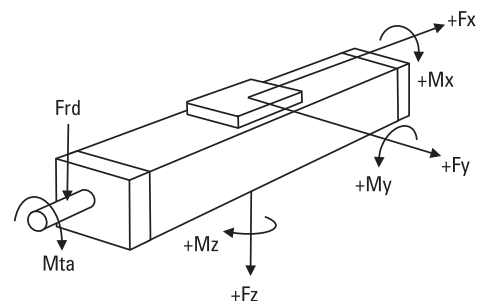
Parameter		M100
Stroke length (S_{max}), maximum	[mm]	
screw lead 5, 10 mm		5578
screw lead 25 mm		4378
Total length (L_{tot}), maximum	[mm]	
screw lead 5, 10 mm		5974
screw lead 25 mm		4774
Linear speed, maximum	[m/s]	1,6
Acceleration, maximum	[m/s ²]	8
Repeatability	[± mm]	0,05
Input speed, maximum	[rpm]	4000
Operation temperature limits	[°C]	-20 – 70
Dynamic load (F_x), maximum	[N]	5000
Dynamic load (F_y), maximum	[N]	3005
Dynamic load (F_z), maximum	[N]	3005
Dynamic load torque (M_x), maximum	[Nm]	117
Dynamic load torque (M_y), maximum	[Nm]	279
Dynamic load torque (M_z), maximum	[Nm]	279
Drive shaft force (F_{rd}), maximum ²	[N]	1000
Input/drive shaft torque (M_{ta}), maximum	[Nm]	45
Screw diameter (d_o)	[mm]	25
Screw lead (p)	[mm]	5, 10, 25
Weight	[kg]	
of unit with zero stroke		12,87
of every 100 mm of stroke		1,42
of carriage		3,50
of option single screw support		1,86
of option double screw supports		4,42

Critical Speed



- 1: No screw support required
- 2: Single screw support required
- 3: Double screw supports required

Definition of Forces



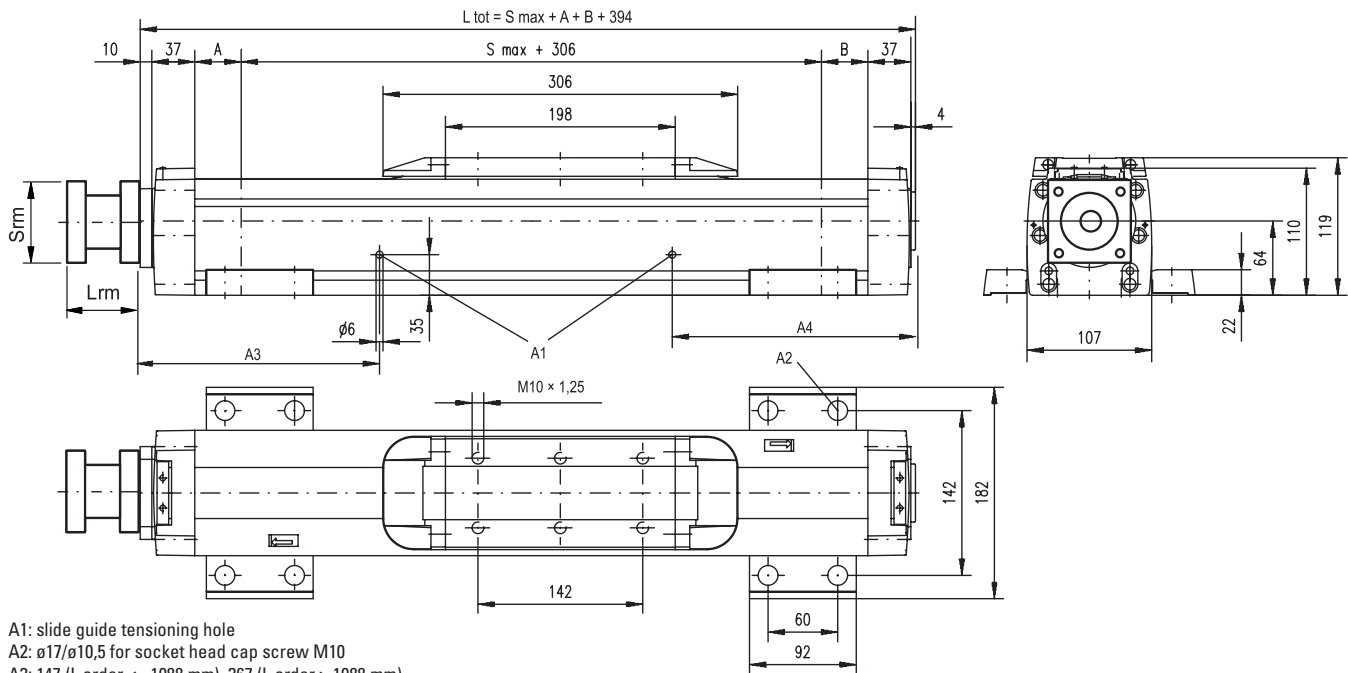
¹ See next page for deviating values of units with other carriage types.

² Only relevant for units without RediMount flange.

M100

Ball Screw Drive, Slide Guide

Dimensions	Projection	Online Sizing & Selection!
METRIC		www.LinearMotioneering.com



A1: slide guide tensioning hole
 A2: $\phi 17/\phi 10,5$ for socket head cap screw M10
 A3: 147 (L order ≤ 1088 mm), 367 (L order > 1088 mm)
 A4: 141 (L order ≤ 1088 mm), 471 (L order > 1088 mm)

Screw support configuration	A [mm]	B [mm]	Total length (L tot) [mm]
No screw support	1	1	$L_{tot} = S_{max} + A + B + 394$
Single screw support	31	31	$L_{tot} = S_{max} + A + B + 394$
Double screw supports	86	86	$L_{tot} = S_{max} + A + B + 394$

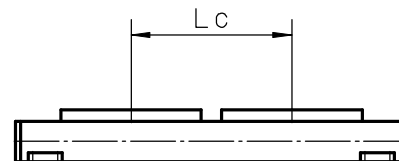
Parameter	Min	Max
Flange length (Lrm)	[mm] 81	143
Flange square (Srm)	[mm] 90	200
Flange weight *	[kg]	5,60

* Max. weight including coupling and fastening screws

Performance Specifications

for Units with Double Standard Carriage (C)

Parameter	M100
Stroke length (Smax), maximum	[mm] 5228 screw lead 5, 10 mm 4028
Total length (L tot), maximum	[mm] 5974 screw lead 5, 10 mm 4774
Minimum distance between carriages (Lc)	[mm] 350
Dynamic load (Fy), maximum	[N] 4508
Dynamic load (Fz), maximum	[N] 4508
Dynamic load torque (My), maximum	[Nm] $L_c^1 \times 2,254$
Dynamic load torque (Mz), maximum	[Nm] $L_c^1 \times 2,254$
Force required to move second carriage	[N] 45
Weight of unit with zero stroke of carriages	[kg] 21,34 7,00



Screw support configuration	A [mm]	B [mm]	Total length (L tot) [mm]
No screw support	1	1	$L_{tot} = S_{max} + A + B + L_c + 394$
Single screw support	31	31	$L_{tot} = S_{max} + A + B + L_c + 394$
Double screw supports	86	86	$L_{tot} = S_{max} + A + B + L_c + 394$

¹ Value in mm

Linear Motion Systems with Belt Drive and Ball Guide

Overview

SpeedLine WH



Features

- Can be installed in any orientation
- Stroke up to 2 m
- Acceleration up to 40 m/s²
- Compact

Parameter		WH40
Profile size (width × height)	[mm]	40 × 40
Stroke length (Smax), maximum	[mm]	2000
Linear speed, maximum	[m/s]	3,0
Dynamic carriage load (Fz), maximum	[N]	600
Remarks		no cover band
Page		74

PowerLine WMZ

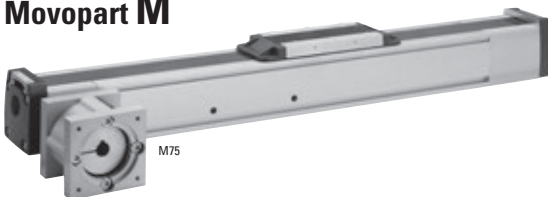


Features

- Can be installed in any orientation
- Stroke up to 5,5 m
- Speed up to 5 m/s
- Patented plastic cover band

Parameter		WM60Z	WM80Z
Profile size (width × height)	[mm]	60 × 60	80 × 80
Stroke length (Smax), maximum	[mm]	4000	5500
Linear speed, maximum	[m/s]	2,5	5,0
Dynamic carriage load (Fz), maximum	[N]	1400	2100
Remarks		-	-
Page		76	78, 80

Movopart M



Features

- Can be installed in any orientation
- Self-adjusting stainless steel cover band
- Stroke up to 12 m
- Wash down protected versions available.

Parameter		M55	M75	M100
Profile size (width × height)	[mm]	58 × 55	86 × 75	108 × 100
Stroke length (Smax), maximum	[mm]	7000	12000	11900
Linear speed, maximum	[m/s]	5,0	5,0	5,0
Dynamic carriage load (Fz), maximum	[N]	750	1750	4000
Remarks		-	-	-
Page		82	84	86

Linear Motion Systems with Belt Drive and Ball Guide

Overview

ForceLine **MLSM**



Features

- Can be installed in any orientation
- Patented plastic cover band
- High load capabilities
- Low profile height

Parameter		MLSM80Z
Profile size (width × height)	[mm]	240 × 85
Stroke length (Smax), maximum	[mm]	5900
Linear speed, maximum	[m/s]	5,0
Dynamic carriage load (Fz), maximum	[N]	6400
Remarks		-
Page		88

WMZ-Series Technical Presentation

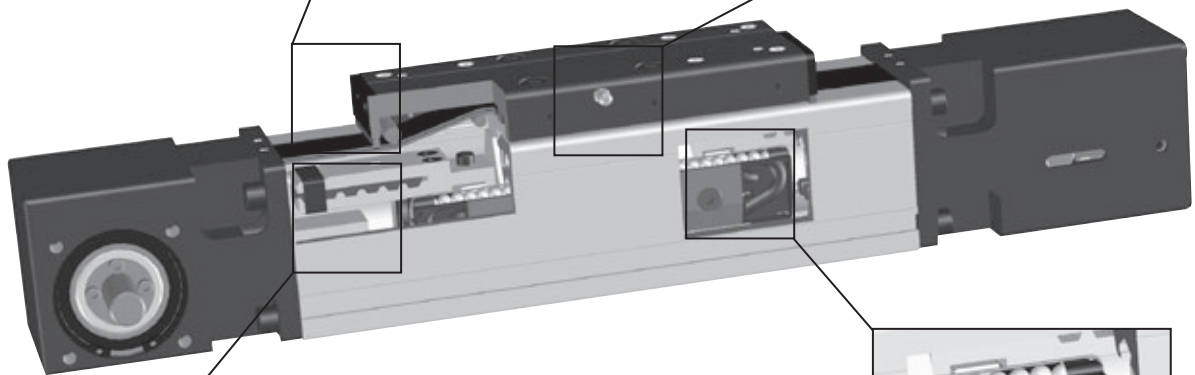
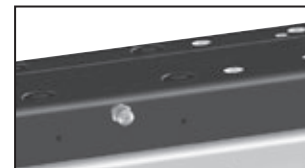
Cover band

The cover band protects the interior of the unit from the penetration of dirt, dust and liquids.



Central lubrication

One central lubrication point on the carriage services the entire unit resulting in a minimum maintenance requirement.



Belt drive

The belt is protected from the outside ensuring long, accurate and safe operation.



Ball guides

Integrated patented ball guides with hardened steel tracks for optimum performance.

Note! the unit is pictured without a RediMount™ flange

WH40

Belt Drive, Ball Guide

» Ordering key - see page 184
 » Accessories - see page 117
 » Additional data - see page 173

General Specifications

Parameter	WH40
Profile size (w × h) [mm]	40 × 40
Type of belt	10 AT 5
Carriage sealing system	none
Adjustable belt tensioning	the belt can be retensioned by the customer if necessary
Lubrication	central lubrication of all parts that require lubrication
Included accessories	4 × mounting clamps

Performance Specifications

for Units with Single Standard Carriage (N)¹

Parameter		WH40
Stroke length (Smax), maximum	[mm]	2000
Total length (L tot), maximum	[mm]	2265
Linear speed, maximum	[m/s]	3,0
Acceleration, maximum	[m/s ²]	40
Repeatability	[± mm]	0,05
Input speed, maximum	[rpm]	1800
Operation temperature limits	[°C]	0 – 80
Dynamic load (Fx), maximum	[N]	315 ²
Dynamic load (Fy), maximum	[N]	450
Dynamic load (Fz), maximum	[N]	600
Dynamic load torque (Mx), maximum	[Nm]	10
Dynamic load torque (My), maximum	[Nm]	30
Dynamic load torque (Mz), maximum	[Nm]	30
Drive shaft force (Frd), maximum ³	[N]	100
Input/drive shaft torque (Mta), maximum	[Nm]	6
Pulley diameter	[mm]	31,83
Stroke per shaft revolution	[mm]	100
Weight	[kg]	
of unit with zero stroke		1,19
of every 100 mm of stroke		0,15
of each carriage		0,28

¹ See next page for deviating values of units with other carriage types.

² See diagram Force Fx.

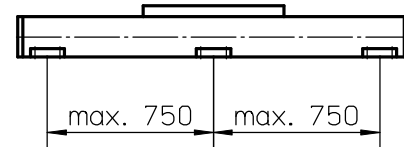
³ Only relevant for units without RediMount flange.

Carriage Idle Torque, (M idle) [Nm]

Input speed [rpm]	Idle torque [Nm]
150	0,1
900	0,3
1800	0,6

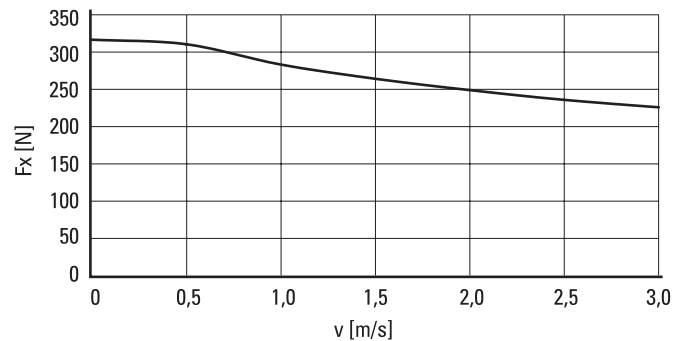
M idle = the input torque needed to move the carriage with no load on it.

Deflection of the Profile

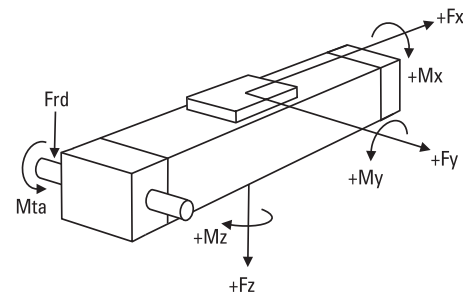


A mounting clamp must be installed at least every 750 mm to be able to operate at maximum load. Less clamps may be required if less load is being operated, see the additional technical data for more information.

Force Fx as a Function of the Speed



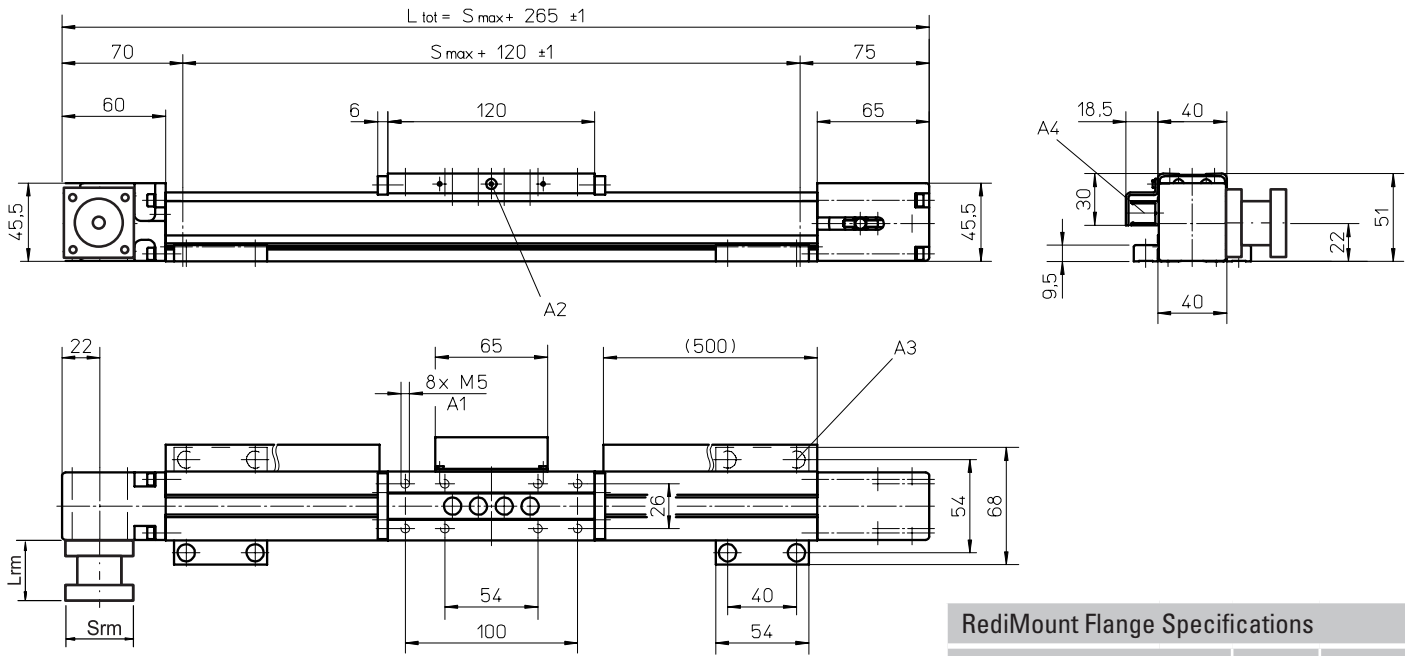
Definition of Forces



WH40

Belt Drive, Ball Guide

Dimensions	Projection	Online Sizing & Selection!
METRIC		www.LinearMotioneering.com



- A1: depth 10
- A2: lubricating nipple on both sides
- A3: socket cap screw ISO4762-M5×12 8.8
- A4: ENF inductive sensor rail kit (optional - see page 150)

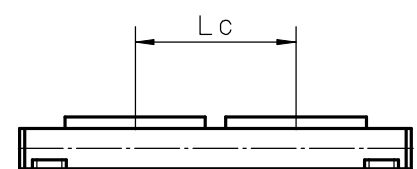
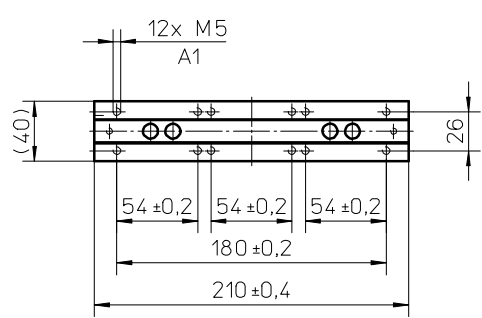
Parameter	Min	Max
Flange length (Lrm) [mm]	56	91
Flange square (Srm) [mm]	60	139
Flange weight * [kg]	1,81	

* Max. weight including coupling and fastening screws

Parameter	WH40
Stroke length (Smax), maximum [mm]	2000
Total length (L tot), maximum [mm]	2355
Carriage length [mm]	210
Dynamic load torque (My), maximum [Nm]	50
Dynamic load torque (Mz), maximum [Nm]	50
Weight [kg]	0,43

Parameter	WH40
Stroke length (Smax), maximum [mm]	1955
Total length (L tot), maximum [mm]	2355
Minimum distance between carriages (Lc) [mm]	135
Dynamic load (Fy), maximum [N]	900
Dynamic load (Fz), maximum [N]	1200
Dynamic load torque (My), maximum [Nm]	LC ¹ × 0,45
Dynamic load torque (Mz), maximum [Nm]	LC ¹ × 0,60
Force required to move second carriage [N]	2
Total length (L tot) [mm]	Smax + 265 + Lc

¹ Value in mm



A1: depth 10

WM60Z

Belt Drive, Ball Guide, Short Carriage

» Ordering key - see page 185
 » Accessories - see page 117
 » Additional data - see page 173

General Specifications

Parameter	WM60Z
Profile size (w × h) [mm]	60 × 60
Type of belt	20 ATL 5
Carriage sealing system	plastic cover band
Adjustable belt tensioning	the belt can be retensioned by the customer if necessary
Lubrication	central lubrication of all parts that require lubrication
Included accessories	4 × mounting clamps

Performance Specifications

for Units with Single Short Carriage (S)¹

Parameter		WM60Z
Stroke length (S _{max}), maximum	[mm]	4000
Total length (L _{tot}), maximum	[mm]	4420
Linear speed, maximum	[m/s]	2,5
Acceleration, maximum	[m/s ²]	20
Repeatability	[± mm]	0,05
Input speed, maximum	[rpm]	1250
Operation temperature limits	[°C]	0 – 80
Dynamic load (F _x), maximum	[N]	850
Dynamic load (F _y), maximum	[N]	1400 ²
Dynamic load (F _z), maximum	[N]	1400
Dynamic load torque (M _x), maximum	[Nm]	25
Dynamic load torque (M _y), maximum	[Nm]	50
Dynamic load torque (M _z), maximum	[Nm]	50
Drive shaft force (F _{rd}), maximum ³	[N]	150
Input/drive shaft torque (M _{ta}), maximum	[Nm]	17
Pulley diameter	[mm]	38,20
Stroke per shaft revolution	[mm]	120
Weight	[kg]	
of unit with zero stroke		4,30
of every 100 mm of stroke		0,45
of each carriage		1,25

¹ See next page for deviating values of units with other carriage types.

² See diagram Force F_x.

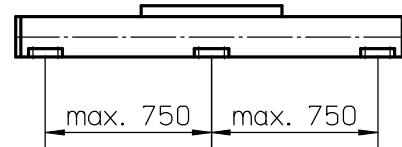
³ Only relevant for units without RediMount flange.

Carriage Idle Torque, (M_{idle}) [Nm]

Input speed [rpm]	Idle torque [Nm]
150	1,6
600	2,5
1250	3,0

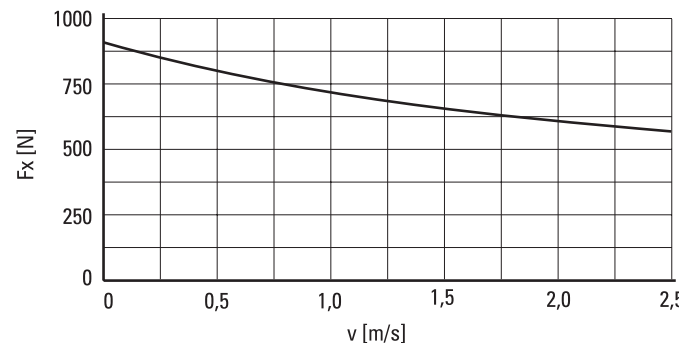
M_{idle} = the input torque needed to move the carriage with no load on it.

Deflection of the Profile

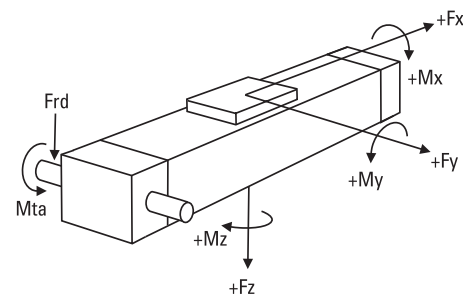


A mounting clamp must be installed at least every 750 mm to be able to operate at maximum load. Less clamps may be required if less load is being operated, see the additional technical data for more information.

Force F_x as a Function of the Speed



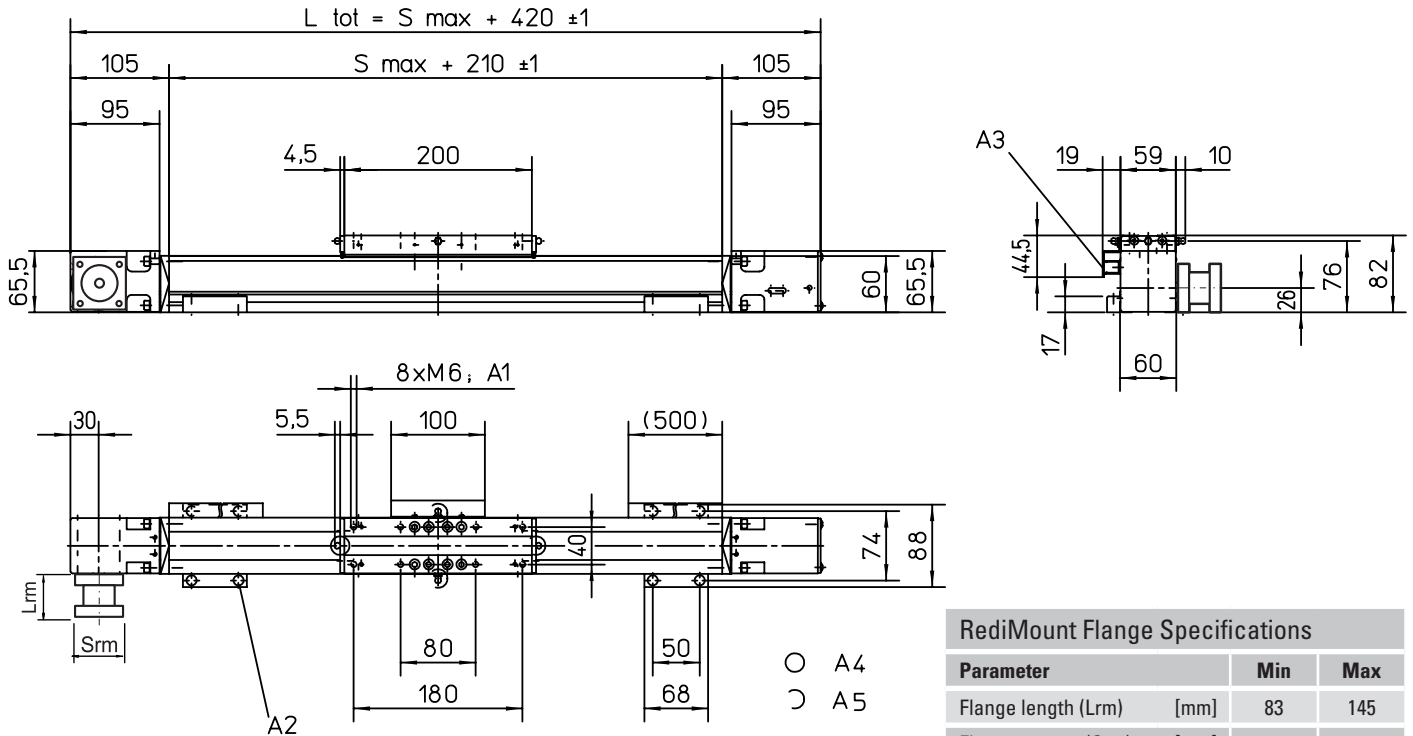
Definition of Forces



WM60Z

Dimensions	Projection	Online Sizing & Selection!
METRIC		www.LinearMotioneering.com

Belt Drive, Ball Guide, Short Carriage



- A1: depth 11
- A2: socket cap screw ISO4762-M6×20 8.8
- A3: ENF inductive sensor rail kit (optional - see page 150)
- A4: tapered lubricating nipple to DIN71412 AM6 on fixed-bearing side as standard feature
- A5: can be changed over to one of three alternative lubrications points by the customer

Parameter	Min	Max
Flange length (L _{rm}) [mm]	83	145
Flange square (S _{rm}) [mm]	90	200
Flange weight * [kg]	5,64	

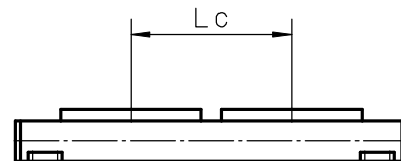
* Max. weight including coupling and fastening screws

Performance Specifications

for Units with Double Short Carriage (Y)

Parameter	WM60Z
Stroke length (S _{max}), maximum [mm]	3745
Total length (L _{tot}), maximum [mm]	4420
Minimum distance between carriages (L _c) [mm]	255
Dynamic load (F _y), maximum [N]	2800
Dynamic load (F _z), maximum [N]	2800
Dynamic load torque (M _y), maximum [Nm]	L _c ¹ × 1,4
Dynamic load torque (M _z), maximum [Nm]	L _c ¹ × 1,4
Force required to move second carriage [N]	18
Total length (L _{tot}) [mm]	S _{max} + 420 + L _c

¹ Value in mm



WM80Z

Belt Drive, Ball Guide, Standard Carriage

- » Ordering key - see page 185
- » Accessories - see page 117
- » Additional data - see page 173

General Specifications

Parameter	WM80Z
Profile size (w × h) [mm]	80 × 80
Type of belt	25 AT 10
Carriage sealing system	plastic cover band
Adjustable belt tensioning	the belt can be retensioned by the customer if necessary
Lubrication	central lubrication of all parts that require lubrication
Included accessories	4 × mounting clamps

Performance Specifications

for Units with Single Standard Carriage (N)¹

Parameter		WM80Z
Stroke length (Smax), maximum	[mm]	5400
Total length (L tot), maximum	[mm]	5990
Linear speed, maximum	[m/s]	2,5
Acceleration, maximum	[m/s ²]	20
Repeatability	[± mm]	0,05
Input speed, maximum	[rpm]	885
Operation temperature limits	[°C]	0 – 80
Dynamic load (Fx), maximum	[N]	1470
Dynamic load (Fy), maximum	[N]	3000 ²
Dynamic load (Fz), maximum	[N]	3000
Dynamic load torque (Mx), maximum	[Nm]	150
Dynamic load torque (My), maximum	[Nm]	300
Dynamic load torque (Mz), maximum	[Nm]	300
Drive shaft force (Frd), maximum ³	[N]	600
Input/drive shaft torque (Mta), maximum	[Nm]	40
Pulley diameter	[mm]	54,11
Stroke per shaft revolution	[mm]	170
Weight	[kg]	
of unit with zero stroke		11,2
of every 100 mm of stroke		0,8
of each carriage		3,4

¹ See next page for deviating values of units with other carriage types.

² See diagram Force Fx.

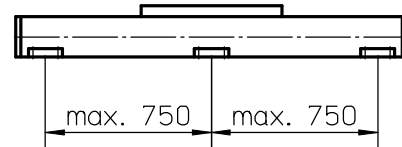
³ Only relevant for units without RediMount flange.

Carriage Idle Torque, (M idle) [Nm]

Input speed [rpm]	Idle torque [Nm]
150	6,5
450	7,7
885	9,3

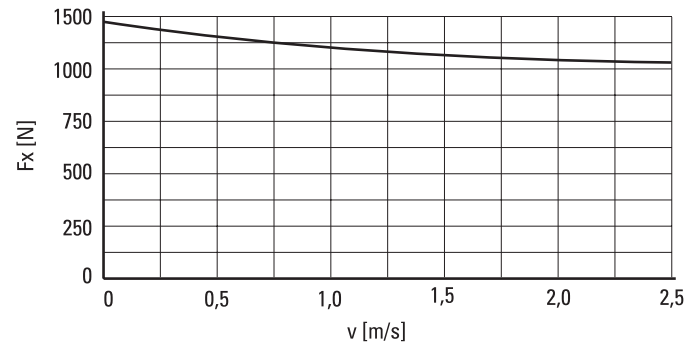
M idle = the input torque needed to move the carriage with no load on it.

Deflection of the Profile

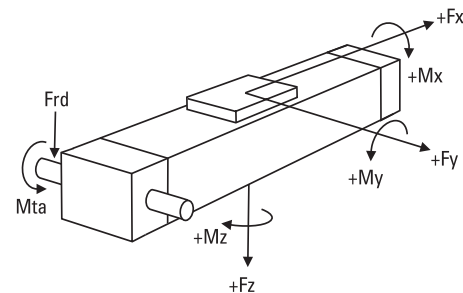


A mounting clamp must be installed at least every 750 mm to be able to operate at maximum load. Less clamps may be required if less load is being operated, see the additional technical data for more information.

Force Fx as a Function of the Speed



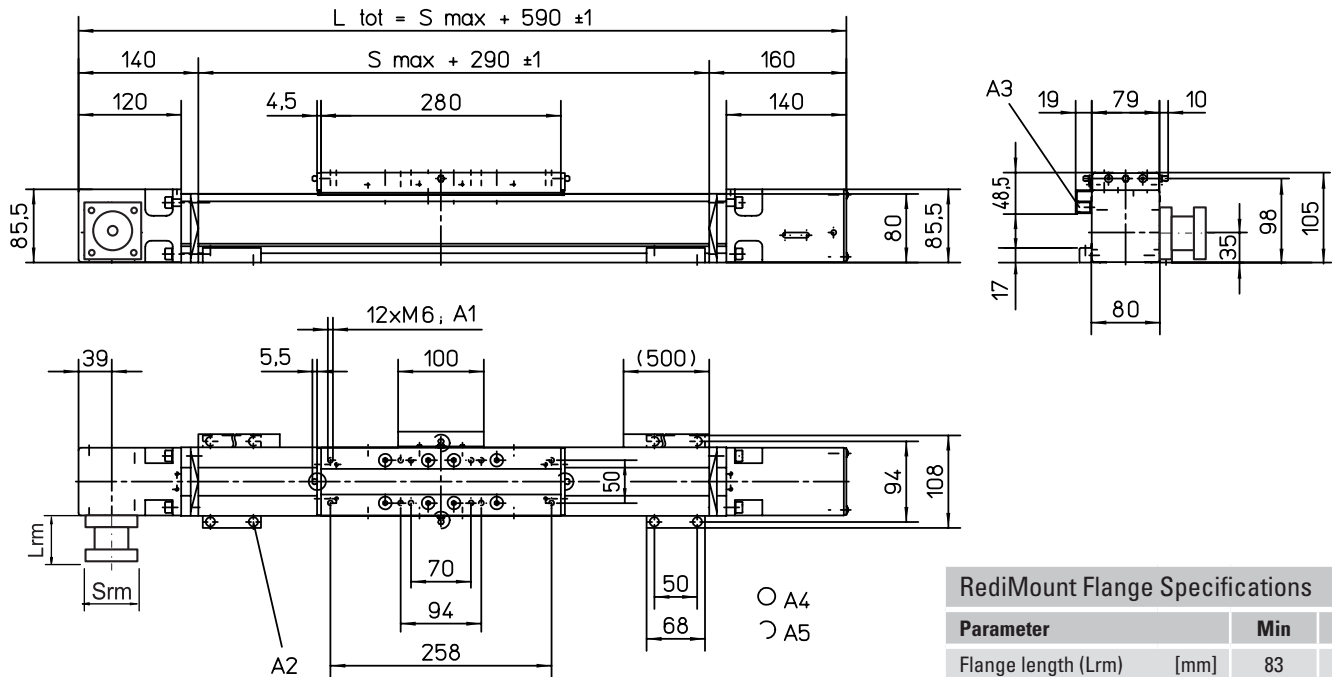
Definition of Forces



WM80Z

Belt Drive, Ball Guide, Standard Carriage

Dimensions	Projection	Online Sizing & Selection!
METRIC		www.LinearMotioneering.com



RediMount Flange Specifications

Parameter	Min	Max
Flange length (Lrm) [mm]	83	145
Flange square (Srm) [mm]	90	200
Flange weight * [kg]	5,64	

- A1: depth 12
- A2: socket cap screw ISO4762-M6×20 8.8
- A3: ENF inductive sensor rail kit (optional - see page 150)
- A4: tapered lubricating nipple to DIN71412 AM6 on fixed-bearing side as standard feature
- A5: can be changed over to one of three alternative lubrications points by the customer

* Max. weight including coupling and fastening screws

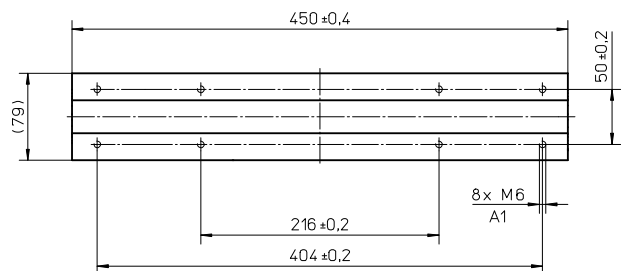
Performance Specifications
for Units with Single Long Carriage (L)

Parameter	WM80Z
Stroke length (Smax), maximum [mm]	5400
Total length (L tot), maximum [mm]	6160
Carriage length [mm]	450
Dynamic load torque (My), maximum [Nm]	750
Dynamic load torque (Mz), maximum [Nm]	750
Weight [kg]	5,1

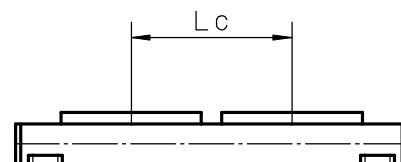
Performance Specifications
for Units with Double Standard Carriage (Z)

Parameter	WM80Z
Stroke length (Smax), maximum [mm]	5040
Total length (L tot), maximum [mm]	5990
Minimum distance between carriages (Lc) [mm]	360
Dynamic load (Fy), maximum [N]	6000
Dynamic load (Fz), maximum [N]	6000
Dynamic load torque (My), maximum [Nm]	L C ¹ × 3
Dynamic load torque (Mz), maximum [Nm]	L C ¹ × 3
Force required to move second carriage [N]	25
Total length (L tot) [mm]	Smax + 590 + Lc

¹ Value in mm



A1: depth 12 mm



WM80Z

Belt Drive, Ball Guide, Short Carriage

» Ordering key - see page 185
 » Accessories - see page 117
 » Additional data - see page 173

General Specifications

Parameter	WM80Z
Profile size (w × h) [mm]	80 × 80
Type of belt	25 AT 10
Carriage sealing system	plastic cover band
Adjustable belt tensioning	the belt can be retensioned by the customer if necessary
Lubrication	central lubrication of all parts that require lubrication
Included accessories	4 × mounting clamps

Performance Specifications

for Units with Single Short Carriage (S)¹

Parameter		WM80Z
Stroke length (S _{max}), maximum	[mm]	5500
Total length (L _{tot}), maximum	[mm]	5990
Linear speed, maximum	[m/s]	2,5
Acceleration, maximum	[m/s ²]	20
Repeatability	[± mm]	0,05
Input speed, maximum	[rpm]	885
Operation temperature limits	[°C]	0 – 80
Dynamic load (F _x), maximum	[N]	1470
Dynamic load (F _y), maximum	[N]	2100 ²
Dynamic load (F _z), maximum	[N]	2100
Dynamic load torque (M _x), maximum	[Nm]	68
Dynamic load torque (M _y), maximum	[Nm]	135
Dynamic load torque (M _z), maximum	[Nm]	135
Drive shaft force (F _{rd}), maximum ³	[N]	600
Input/drive shaft torque (M _{ta}), maximum	[Nm]	40
Pulley diameter	[mm]	54,11
Stroke per shaft revolution	[mm]	170
Weight	[kg]	
of unit with zero stroke		9,2
of every 100 mm of stroke		0,8
of each carriage		2,1

¹ See next page for deviating values of units with other carriage types.

² See diagram Force F_x.

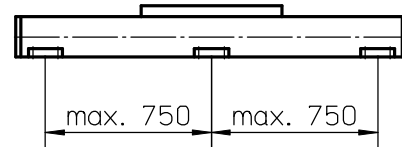
³ Only relevant for units without RediMount flange.

Carriage Idle Torque, (M_{idle}) [Nm]

Input speed [rpm]	Idle torque [Nm]
150	4,0
450	5,4
885	6,2

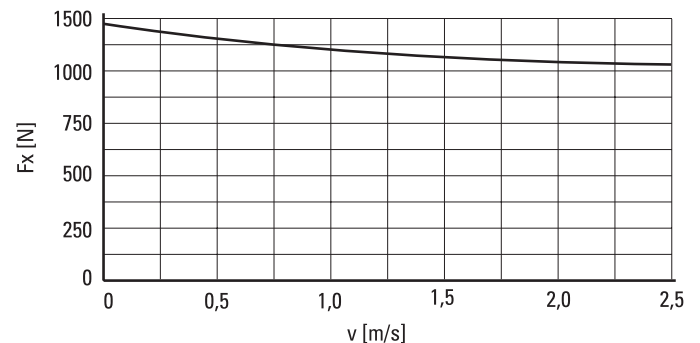
M_{idle} = the input torque needed to move the carriage with no load on it.

Deflection of the Profile

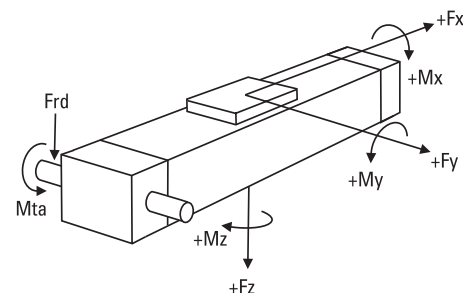


A mounting clamp must be installed at least every 750 mm to be able to operate at maximum load. Less clamps may be required if less load is being operated, see the additional technical data for more information.

Force F_x as a Function of the Speed



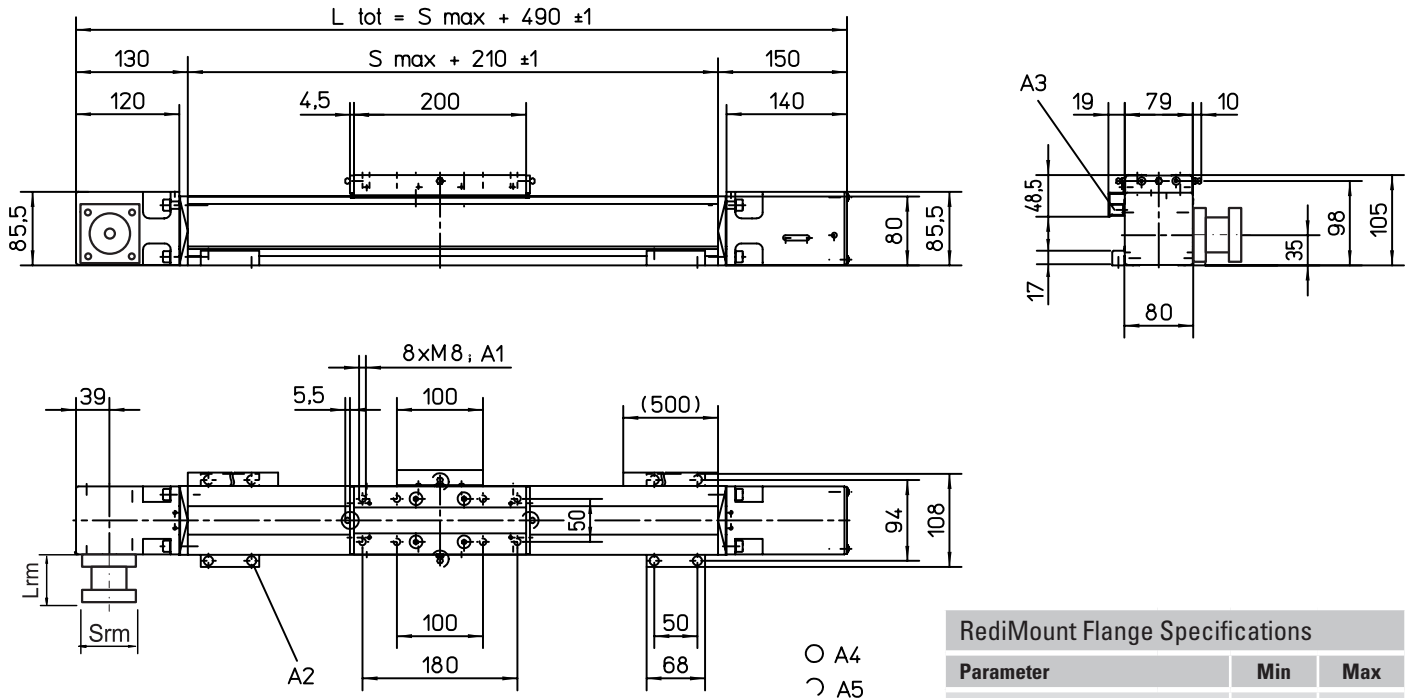
Definition of Forces



WM80Z

Belt Drive, Ball Guide, Short Carriage

Dimensions	Projection	Online Sizing & Selection!
METRIC		www.LinearMotioneering.com



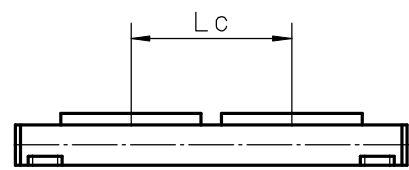
Parameter	Min	Max
Flange length (Lrm) [mm]	83	145
Flange square (Srm) [mm]	90	200
Flange weight * [kg]	5,64	

- A1: depth 12
- A2: socket cap screw ISO4762-M6x20 8.8
- A3: ENF inductive sensor rail kit (optional - see page 150)
- A4: tapered lubricating nipple to DIN71412 AM6 on fixed-bearing side as standard feature
- A5: can be changed over to one of three alternative lubrications points by the customer

* Max. weight including coupling and fastening screws

Parameter	WM80Z
Stroke length (Smax), maximum [mm]	5220
Total length (L tot), maximum [mm]	5990
Minimum distance between carriages (Lc) [mm]	280
Dynamic load (Fy), maximum [N]	4200
Dynamic load (Fz), maximum [N]	4200
Dynamic load torque (My), maximum [Nm]	Lc ¹ × 2,1
Dynamic load torque (Mz), maximum [Nm]	Lc ¹ × 2,1
Force required to move second carriage [N]	22,5
Total length (L tot) [mm]	Smax + 490 + Lc

¹ Value in mm



M55

Belt Drive, Ball Guide

» Ordering key - see page 186
 » Accessories - see page 117
 » Additional data - see page 173

General Specifications

Parameter	M55
Profile size (w × h) [mm]	58 × 55
Type of belt	22-STD SM5-HP
Carriage sealing system	self-adjusting steel cover band
Adjustable belt tensioning	the belt can be retensioned by the customer if necessary
Lubrication	lubrication of ball guide carriages
Included accessories	none

Performance Specifications

for Units with Single Standard Carriage (A)¹

Parameter		M55
Stroke length (Smax), maximum	[mm]	7000
Total length (L tot), maximum	[mm]	7373
Linear speed, maximum	[m/s]	5,0
Acceleration, maximum	[m/s ²]	40
Repeatability	[± mm]	0,1
Input speed, maximum	[rpm]	2850
Operation temperature limits	[°C]	-20 – 70
Dynamic load (Fx), maximum	[N]	
< 2,5 m/s		400
> 2,5 m/s		200
Dynamic load (Fy), maximum	[N]	750
Dynamic load (Fz), maximum	[N]	750
Dynamic load torque (Mx), maximum	[Nm]	5
Dynamic load torque (My), maximum	[Nm]	29
Dynamic load torque (Mz), maximum	[Nm]	29
Drive shaft force (Frd), maximum ²	[N]	200
Input/drive shaft torque (Mta), maximum	[Nm]	12
Pulley diameter	[mm]	33,42
Stroke per shaft revolution	[mm]	105
Weight	[kg]	
of unit with zero stroke		4,80
of every 100 mm of stroke		0,53
of carriage		1,20

¹ See next page for deviating values of units with other carriage types.

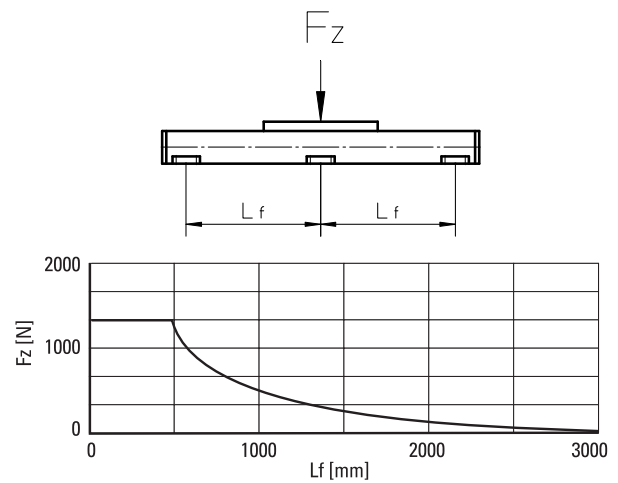
² Only relevant for units without RediMount flange.

Carriage Idle Torque (M idle) [Nm]

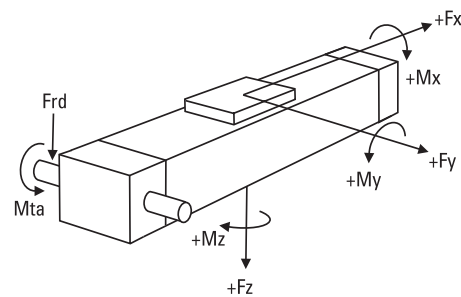
Input speed [rpm]	Single Carriage	Double Carriages
150	1,0	1,9

M idle = the input torque needed to move the carriage with no load on it.

Deflection of the Profile



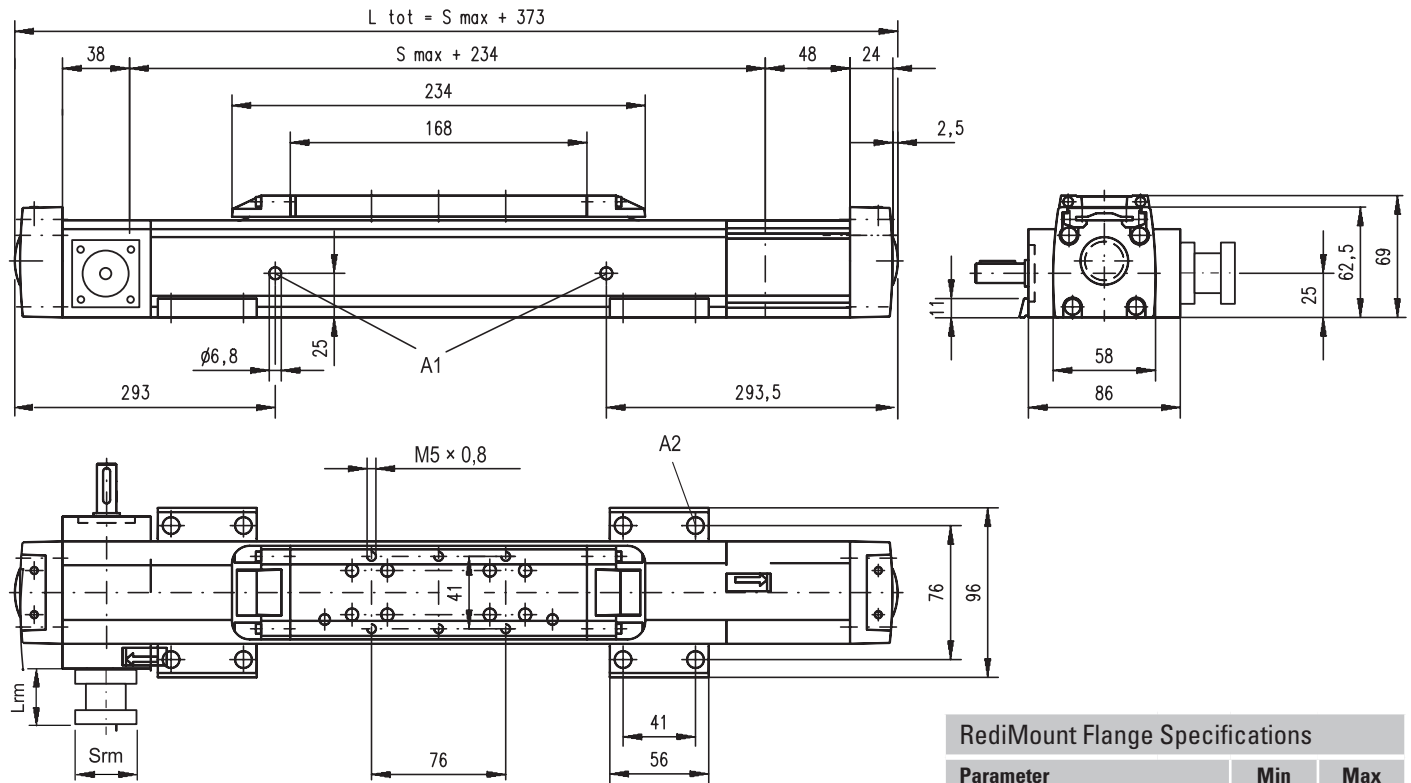
Definition of Forces



M55

Belt Drive, Ball Guide

Dimensions	Projection	Online Sizing & Selection!
METRIC		www.LinearMotioneering.com



RediMount Flange Specifications

Parameter	Min	Max
Flange length (L _{rm}) [mm]	57	92
Flange square (S _{rm}) [mm]	60	139
Flange weight* [kg]	1,84	

* Max. weight including coupling and fastening screws

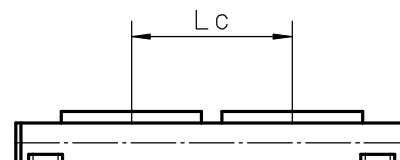
A1: lubrication holes
A2: $\phi 9,5/\phi 5,5$ for socket head cap screw M5

Performance Specifications

for Units with Double Standard Carriage (C)

Parameter	M55
Stroke length (S _{max}), maximum [mm]	6750
Total length (L _{tot}), maximum [mm]	7373
Minimum distance between carriages (L _c) [mm]	250
Dynamic load (F _y), maximum [N]	1125
Dynamic load (F _z), maximum [N]	1125
Dynamic load torque (M _y), maximum [Nm]	$L_c^1 \times 0,56$
Dynamic load torque (M _z), maximum [Nm]	$L_c^1 \times 0,56$
Force required to move second carriage [N]	2
Total length (L _{tot}) [mm]	$S_{max} + L_c + 373$
Weight of unit with zero stroke of carriages [kg]	7,06 2,40

¹ Value in mm



M75

Belt Drive, Ball Guide

» Ordering key - see page 186
 » Accessories - see page 117
 » Additional data - see page 173

General Specifications

Parameter	M75 / T75
Profile size (w × h) [mm]	86 × 75
Type of belt	STD5-40
Carriage sealing system	self-adjusting steel cover band
Adjustable belt tensioning	the belt can be retensioned by the customer if necessary
Lubrication	lubrication of ball guide carriages
Included accessories	none

Performance Specifications

for Units with Single Standard Carriage (A)¹

Parameter		M75
Stroke length (Smax), maximum	[mm]	12000
Total length (L tot), maximum	[mm]	12368
Linear speed, maximum	[m/s]	5,0
Acceleration, maximum	[m/s ²]	40
Repeatability	[± mm]	0,1
Input speed, maximum	[rpm]	2300
Operation temperature limits	[°C]	-20 – 70
Dynamic load (Fx), maximum	[N]	
< 2,5 m/s		900
> 2,5 m/s		450
Dynamic load (Fy), maximum	[N]	1750
Dynamic load (Fz), maximum	[N]	1750
Dynamic load torque (Mx), maximum	[Nm]	16
Dynamic load torque (My), maximum	[Nm]	84
Dynamic load torque (Mz), maximum	[Nm]	84
Drive shaft force (Frd), maximum ²	[N]	600
Input/drive shaft torque (Mta), maximum	[Nm]	30
Pulley diameter	[mm]	41,38
Stroke per shaft revolution	[mm]	130
Weight	[kg]	
of unit with zero stroke		7,50
of every 100 mm of stroke		0,88
of carriage		2,00

¹ See next page for deviating values of units with other carriage types.

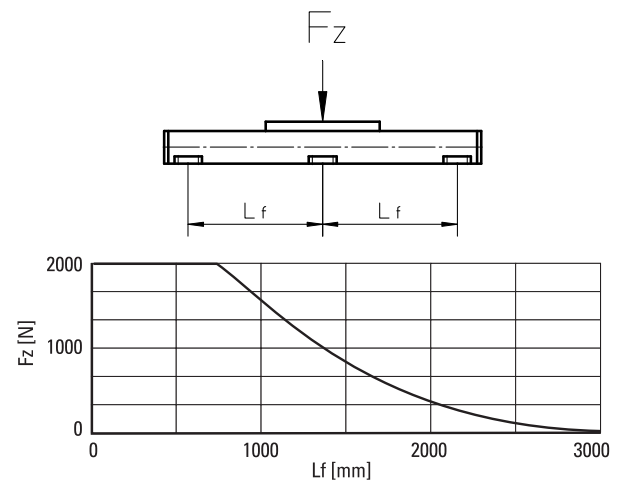
² Only relevant for units without RediMount flange.

Carriage Idle Torque (M idle) [Nm]

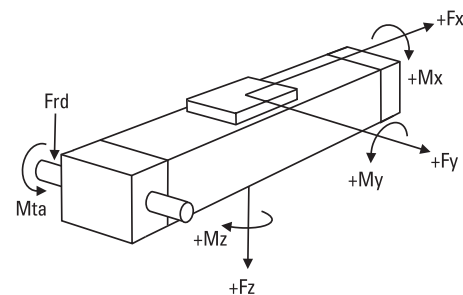
Input speed [rpm]	Single Carriage	Double Carriages
150	1,0	1,9

M idle = the input torque needed to move the carriage with no load on it.

Deflection of the Profile



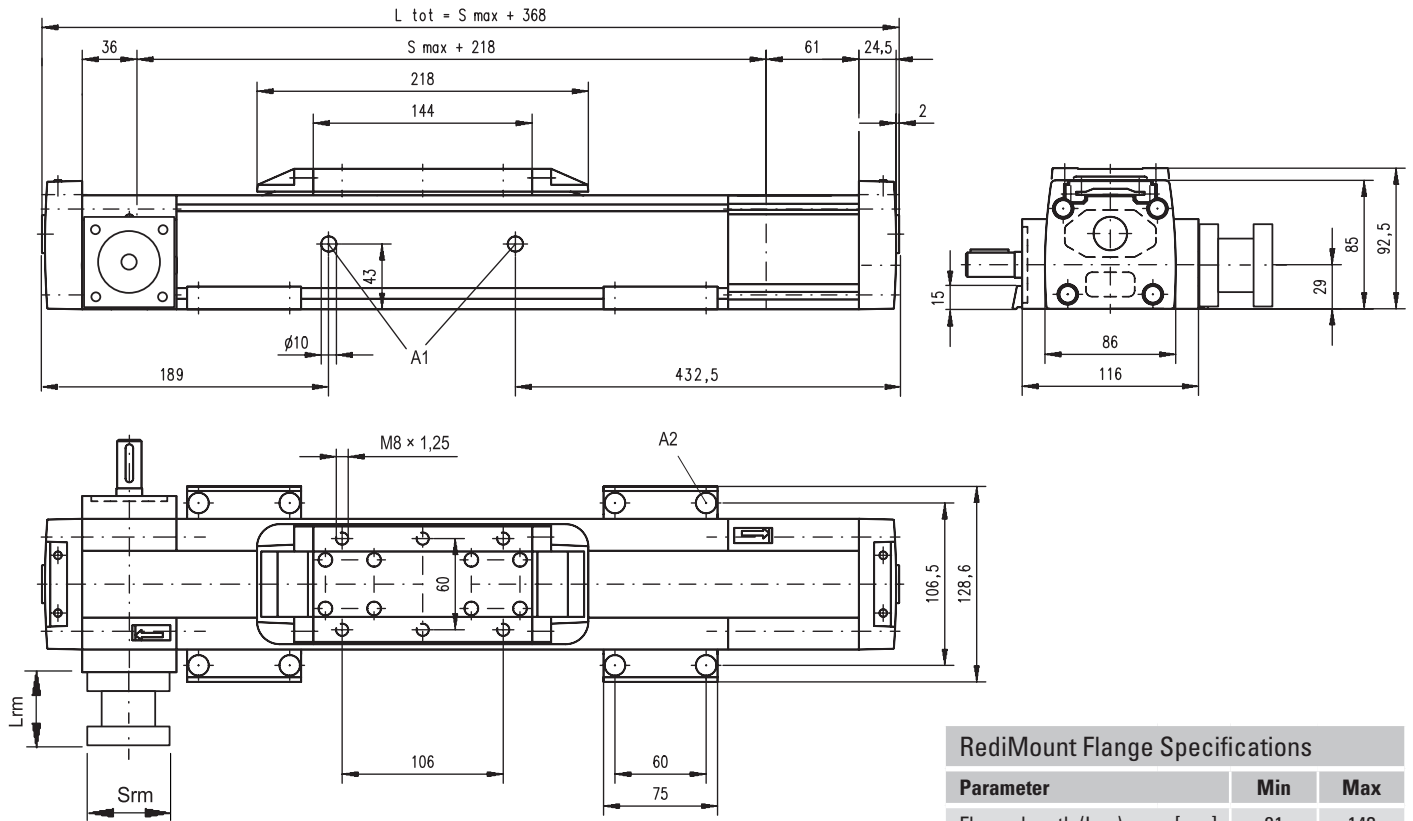
Definition of Forces



M75

Belt Drive, Ball Guide

Dimensions	Projection	Online Sizing & Selection!
METRIC		www.LinearMotioneering.com



A1: lubrication holes
 A2: $\phi 13,5/\phi 8,5$ for socket head cap screw M8

RediMount Flange Specifications

Parameter		Min	Max
Flange length (Lrm)	[mm]	81	143
Flange square (Srm)	[mm]	90	200
Flange weight *	[kg]	6,00	

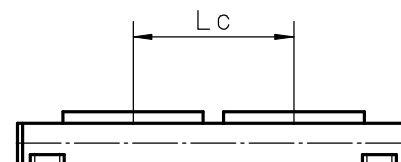
* Max. weight including coupling and fastening screws

Performance Specifications

for Units with Double Standard Carriage (C)

Parameter		M75
Stroke length (Smax), maximum	[mm]	11750
Total length (L tot), maximum	[mm]	12368
Minimum distance between carriages (Lc)	[mm]	250
Dynamic load (Fy), maximum	[N]	2625
Dynamic load (Fz), maximum	[N]	2625
Dynamic load torque (My), maximum	[Nm]	$Lc^1 \times 1,313$
Dynamic load torque (Mz), maximum	[Nm]	$Lc^1 \times 1,313$
Force required to move second carriage	[N]	2
Total length (L tot)	[mm]	$Smax + Lc + 368$
Weight of unit with zero stroke of carriages	[kg]	11,67 4,00

¹ Value in mm



M100

Belt Drive, Ball Guide

- » Ordering key - see page 186
- » Accessories - see page 117
- » Additional data - see page 173

General Specifications

Parameter	M100
Profile size (w × h) [mm]	108 × 100
Type of belt	STD8-50
Carriage sealing system	self-adjusting steel cover band
Adjustable belt tensioning	the belt can be retensioned by the customer if necessary
Lubrication	lubrication of ball guide carriages
Included accessories	none

Performance Specifications

for Units with Single Standard Carriage (A)¹

Parameter		M100
Stroke length (Smax), maximum	[mm]	11900
Total length (L tot), maximum	[mm]	12361
Linear speed, maximum	[m/s]	5,0
Acceleration, maximum	[m/s ²]	40
Repeatability	[± mm]	0,1
Input speed, maximum	[rpm]	1700
Operation temperature limits	[°C]	-20 – 70
Dynamic load (Fx), maximum	[N]	
< 2,5 m/s		1250
> 2,5 m/s		625
Dynamic load (Fy), maximum	[N]	4000
Dynamic load (Fz), maximum	[N]	4000
Dynamic load torque (Mx), maximum	[Nm]	43
Dynamic load torque (My), maximum	[Nm]	280
Dynamic load torque (Mz), maximum	[Nm]	280
Drive shaft force (Frd), maximum ²	[N]	1000
Input/drive shaft torque (Mta), maximum	[Nm]	45
Pulley diameter	[mm]	56,02
Stroke per shaft revolution	[mm]	176
Weight	[kg]	
of unit with zero stroke		11,61
of every 100 mm of stroke		1,43
of carriage		2,20

¹ See next page for deviating values of units with other carriage types.

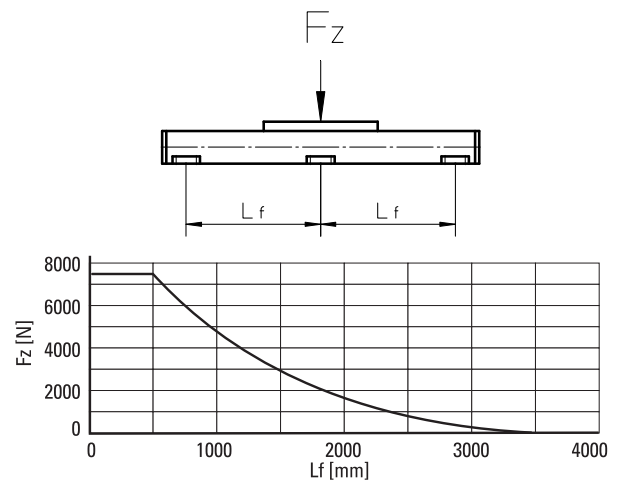
² Only relevant for units without RediMount flange.

Carriage Idle Torque (M idle) [Nm]

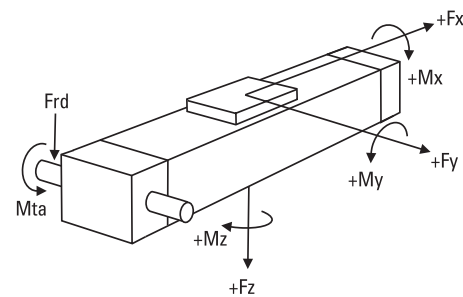
Input speed [rpm]	Single Carriage	Double Carriages
150	1,6	3,1

M idle = the input torque needed to move the carriage with no load on it.

Deflection of the Profile



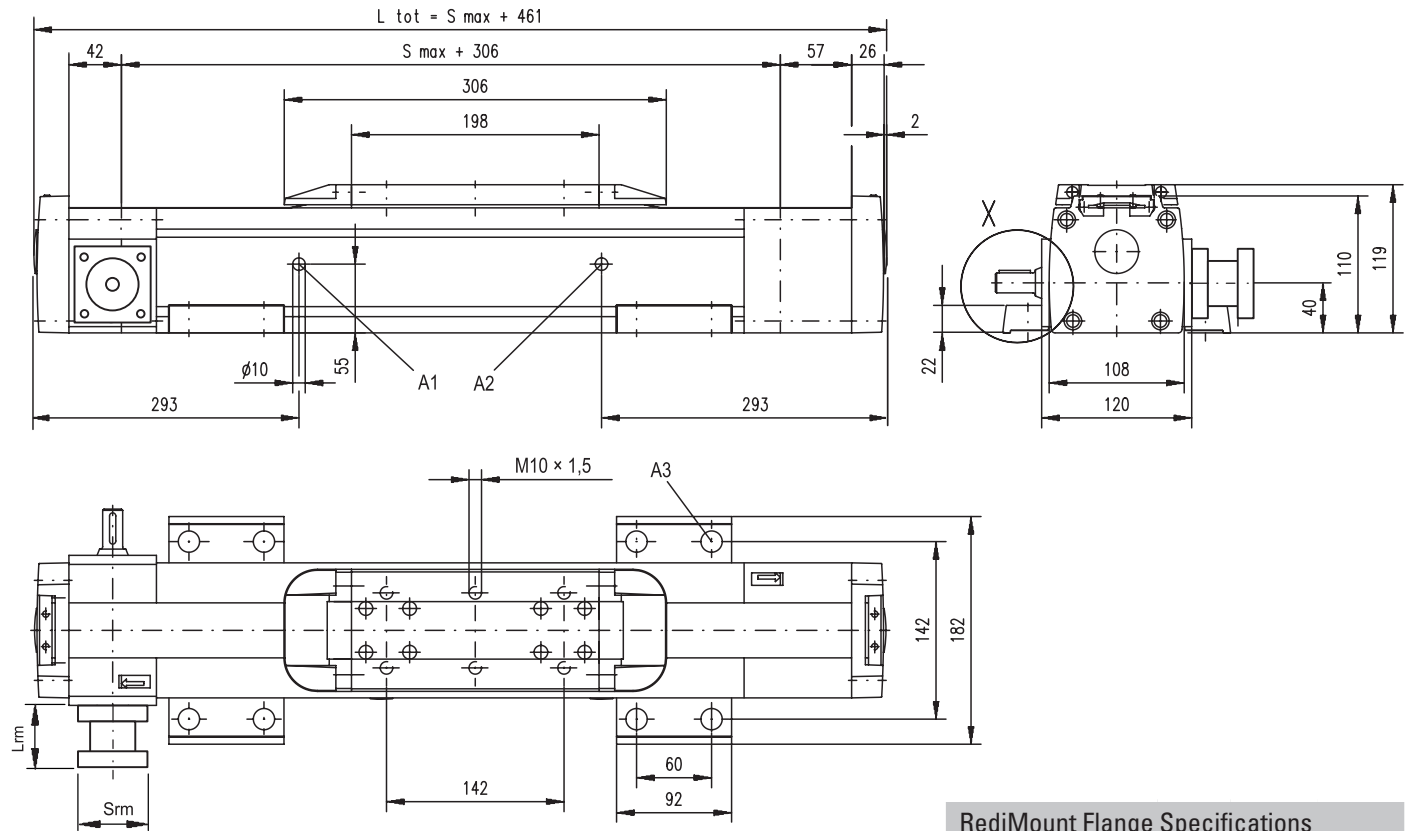
Definition of Forces



M100

Belt Drive, Ball Guide

Dimensions	Projection	Online Sizing & Selection!
METRIC		www.LinearMotioneering.com



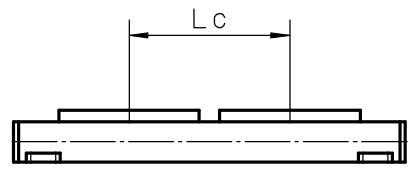
A1: lubrication hole
 A2: lubrication hole (no hole if L order is < 856 mm)
 A3: $\phi 17/\phi 10,5$ for socket head cap screw M10

Parameter	Min	Max
Flange length (Lrm) [mm]	81	143
Flange square (Srm) [mm]	90	200
Flange weight* [kg]	6,00	

* Max. weight including coupling and fastening screws

Parameter	M100
Stroke length (Smax), maximum [mm]	11550
Total length (L tot), maximum [mm]	12361
Minimum distance between carriages (Lc) [mm]	350
Dynamic load (Fy), maximum [N]	6000
Dynamic load (Fz), maximum [N]	6000
Dynamic load torque (My), maximum [Nm]	$Lc^1 \times 3$
Dynamic load torque (Mz), maximum [Nm]	$Lc^1 \times 3$
Force required to move second carriage [N]	2
Total length (L tot) [mm]	$Smax + Lc + 461$
Weight of unit with zero stroke of carriages [kg]	18,92 4,40

¹ Value in mm



MLSM80Z

Belt Drive, Ball Guide

» Ordering key - see page 187
 » Accessories - see page 117
 » Additional data - see page 173

General Specifications

Parameter	MLSM80Z
Profile size (w × h) [mm]	240 × 85
Type of belt	75 ATL 10
Carriage sealing system	plastic cover band
Adjustable belt tensioning	the belt can be retensioned by the customer if necessary
Lubrication	central lubrication of all parts that require lubrication
Included accessories	4 × mounting clamps

Performance Specifications

for Units with Single Standard Carriage (N)¹

Parameter		MLSM80Z
Stroke length (Smax), maximum	[mm]	5900
Total length (L tot), maximum	[mm]	6500
Linear speed, maximum	[m/s]	5,0
Acceleration, maximum	[m/s ²]	20
Repeatability	[± mm]	0,05
Input speed, maximum	[rpm]	1500
Operation temperature limits	[°C]	0 – 80
Dynamic load (Fx), maximum	[N]	5000 ²
Dynamic load (Fy), maximum	[N]	6400
Dynamic load (Fz), maximum	[N]	6400
Dynamic load torque (Mx), maximum	[Nm]	600
Dynamic load torque (My), maximum	[Nm]	720
Dynamic load torque (Mz), maximum	[Nm]	720
Drive shaft force (Frd), maximum ³	[N]	700
Input/drive shaft torque (Mta), maximum	[Nm]	150
Pulley diameter	[mm]	63,66
Stroke per shaft revolution	[mm]	200
Weight	[kg]	
of unit with zero stroke		30,8
of every 100 mm of stroke		2,2
of each carriage		9,6

¹ See next page for deviating values of units with other carriage types.

² See diagram Force Fx.

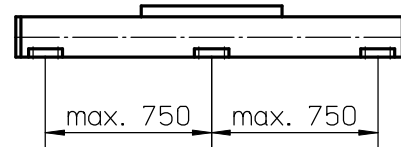
³ Only relevant for units without RediMount flange.

Carriage Idle Torque, (M idle) [Nm]

Input speed [rpm]	Idle torque [Nm]
150	8,5
750	12
1500	14,5

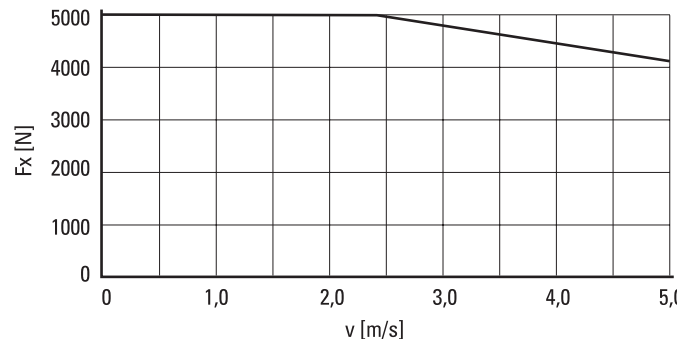
M idle = the input torque needed to move the carriage with no load on it.

Deflection of the Profile

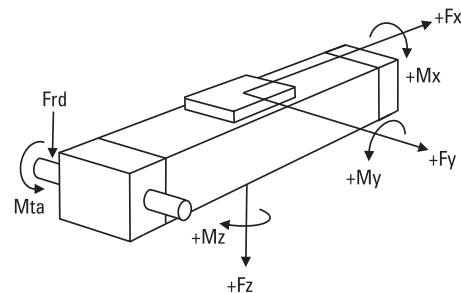


A mounting clamp must be installed at least every 750 mm to be able to operate at maximum load. Less clamps may be required if less load is being operated, see the additional technical data for more information.

Force Fx as a Function of the Speed



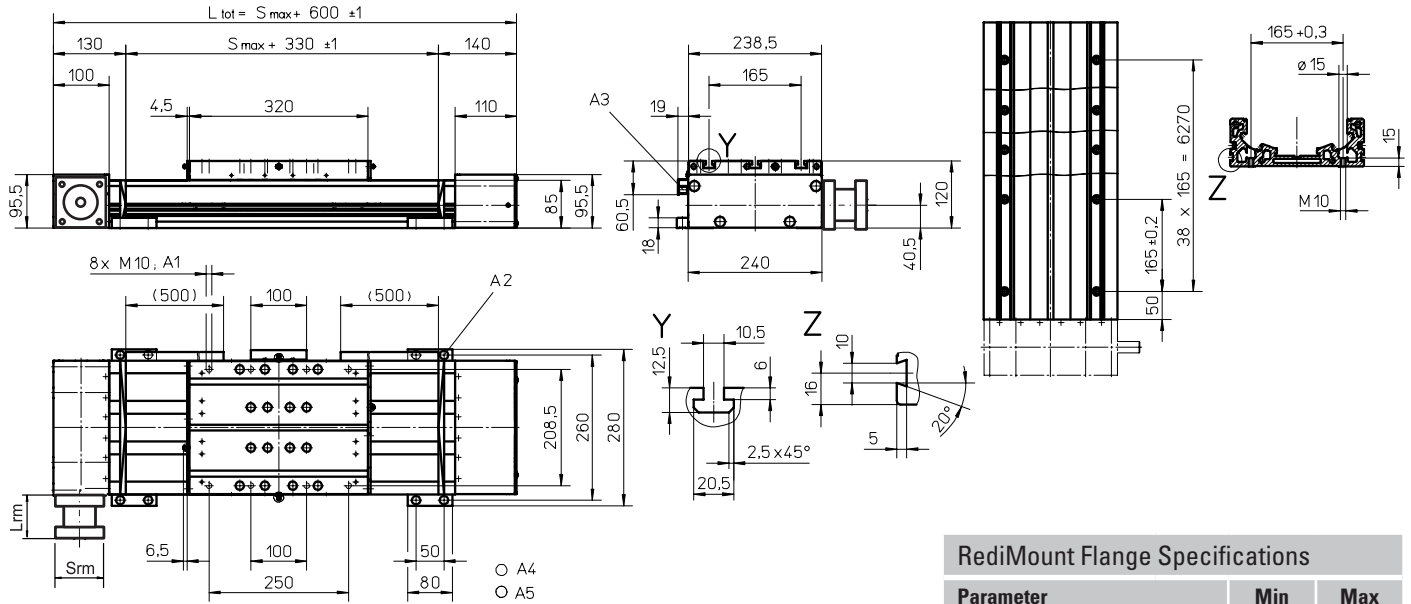
Definition of Forces



MLSM80Z

Belt Drive, Ball Guide

Dimensions	Projection	Online Sizing & Selection!
METRIC		www.LinearMotioneering.com



- A1: depth 15
- A2: socket cap screw ISO4762-M8x20 8.8
- A3: ENF inductive sensor rail kit (optional - see page 150)
- A4: tapered lubricating nipple to DIN71412 M8x1 on fixed-bearing side as standard feature
- A5: can be changed over to one of the three alternative lubricating points by the customer

RediMount Flange Specifications

Parameter		Min	Max
Flange length (Lrm)	[mm]	81	143
Flange square (Srm)	[mm]	90	200
Flange weight *	[kg]	5,67	

* Max. weight including coupling and fastening screws

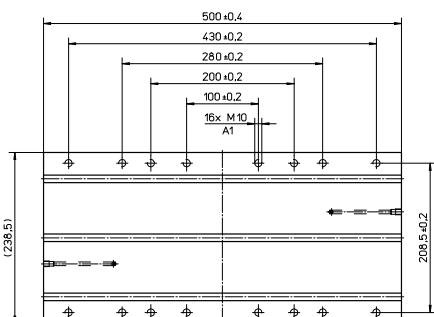
Performance Specifications for Units with Single Long Carriage (L)

Parameter		MLSM80Z
Stroke length (Smax), maximum	[mm]	5900
Total length (L tot), maximum	[mm]	6680
Carriage length	[mm]	500
Dynamic load torque (My), maximum	[Nm]	1400
Dynamic load torque (Mz), maximum	[Nm]	1400
Weight	[kg]	14

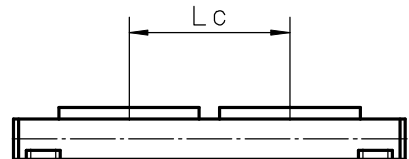
Performance Specifications for Units with Double Standard Carriage (Z)

Parameter		MLSM80Z
Stroke length (Smax), maximum	[mm]	5680
Total length (L tot), maximum	[mm]	6680
Minimum distance between carriages (Lc)	[mm]	400
Dynamic load (Fy), maximum	[N]	12800
Dynamic load (Fz), maximum	[N]	12800
Dynamic load torque (My), maximum	[Nm]	Lc ¹ × 6,4
Dynamic load torque (Mz), maximum	[Nm]	Lc ¹ × 6,4
Force required to move second carriage	[N]	35
Total length (L tot)	[mm]	Smax + 600 + Lc

¹ Value in mm



A1: depth 15



Linear Motion Systems with Belt Drive and Slide Guide

Overview

Movopart M

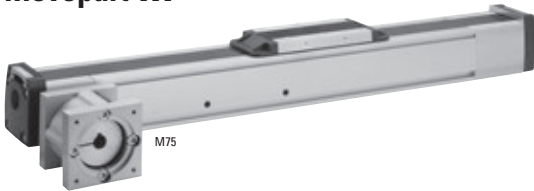


Features

- Can be installed in any orientation
- Patented self-adjusting prism slide guides
- Resistant to shock loads and vibrations
- Low cost

Parameter		M50
Profile size (width × height)	[mm]	50 × 50
Stroke length (Smax), maximum	[mm]	5000
Linear speed, maximum	[m/s]	5,0
Dynamic carriage load (Fz), maximum	[N]	400
Remarks		no cover band
Page		92

Movopart M



Features

- Can be installed in any orientation
- Self-adjusting stainless steel cover band
- Patented self-adjusting prism slide guides
- Wash down and enhanced wash down protected versions available

Parameter		M55	M75	M100
Profile size (width × height)	[mm]	58 × 55	86 × 75	108 × 100
Stroke length (Smax), maximum	[mm]	7000	12000	11900
Linear speed, maximum	[m/s]	5,0	5,0	5,0
Dynamic carriage load (Fz), maximum	[N]	400	1485	3005
Remarks		-	-	-
Page		94	96	98

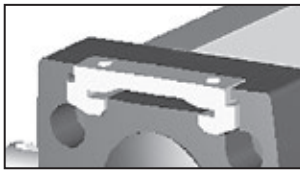
Linear Motion Systems with Belt Drive and Slide Guide

Overview

M-Series Technical Presentation

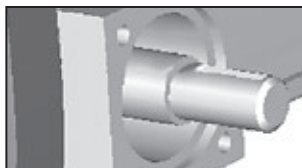
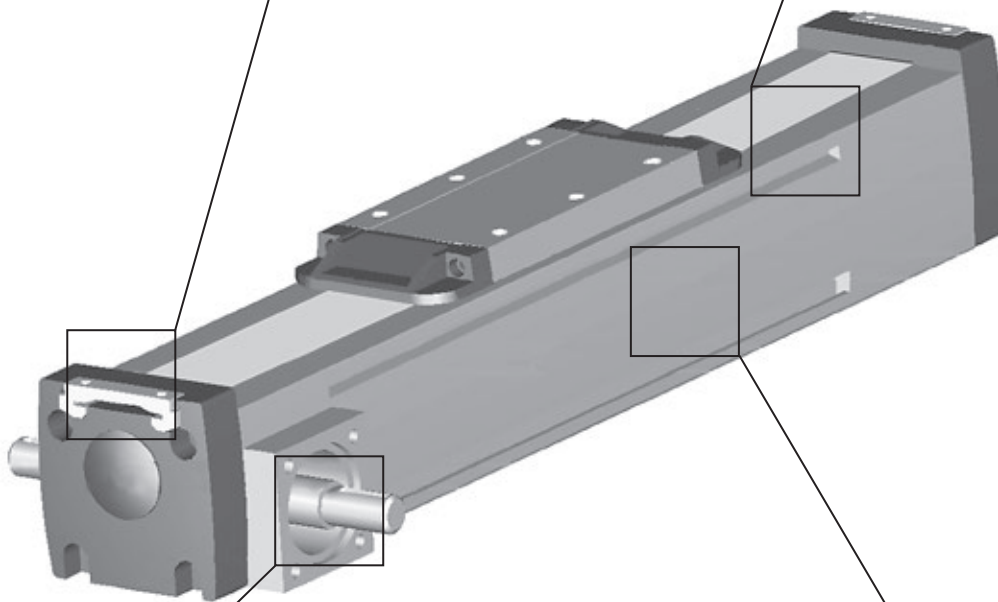
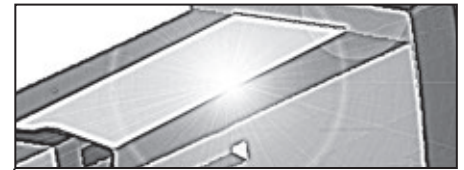
Cover band

The self-adjusting magnetically sealed stainless steel cover band protects the unit from the penetration of dirt, dust and liquids.



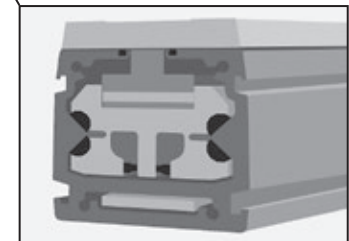
Environmental protection

The standard unit can operate in harsh environments but is also available in wash down or enhanced wash down protected versions for the toughest environments.



Belt drive

The belt runs on the inside of the profile and can easily be re-tensioned without removing the load from the carriage.



Prism slide guides

The patented self-aligning prism slide guides are accurate, durable and are resistant to vibrations and shock loads.

Note! the unit is pictured without a RediMount™ flange

M50

Belt Drive, Slide Guide

- » Ordering key - see page 188
- » Accessories - see page 117
- » Additional data - see page 174

General Specifications

Parameter	M50
Profile size (w × h) [mm]	50 × 50
Type of belt	GT 5MR-19
Carriage sealing system	none
Adjustable belt tensioning	the belt can be retensioned by the customer if necessary
Lubrication	lubricated for life
Included accessories	none

Performance Specifications

for Units with Single Standard Carriage (A00)

Parameter		M50
Stroke length (Smax), maximum	[mm]	5000
Total length (L tot), maximum	[mm]	5296
Linear speed, maximum	[m/s]	5,0
Acceleration, maximum	[m/s ²]	40
Repeatability	[± mm]	0,2
Input speed, maximum	[rpm]	2300
Operation temperature limits	[°C]	-20 – 70
Dynamic load (Fx), maximum	[N]	400
< 2,5 m/s		400
> 2,5 m/s		200
Dynamic load (Fy), maximum	[N]	400
Dynamic load (Fz), maximum	[N]	400
Dynamic load torque (Mx), maximum	[Nm]	5
Dynamic load torque (My), maximum	[Nm]	21
Dynamic load torque (Mz), maximum	[Nm]	21
Drive shaft force (Frd), maximum ¹	[N]	350
Input/drive shaft torque (Mta), maximum	[Nm]	10
Pulley diameter	[mm]	41,38
Stroke per shaft revolution	[mm]	130
Weight	[kg]	
of unit with zero stroke		0,71
of every 100 mm of stroke		0,96
of carriage		0,33

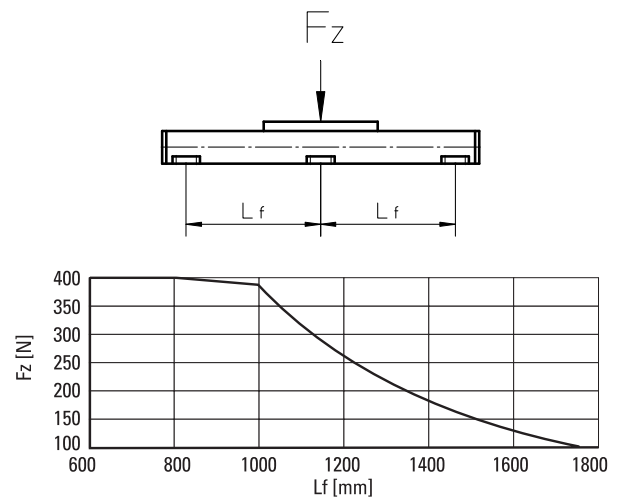
¹ Only relevant for units without RediMount flange.

Carriage Idle Torque (M idle) [Nm]

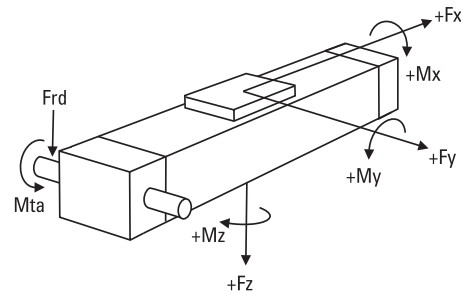
Input speed [rpm]	Idle torque [Nm]
150	2,1

M idle = the input torque needed to move the carriage with no load on it.

Deflection of the Profile



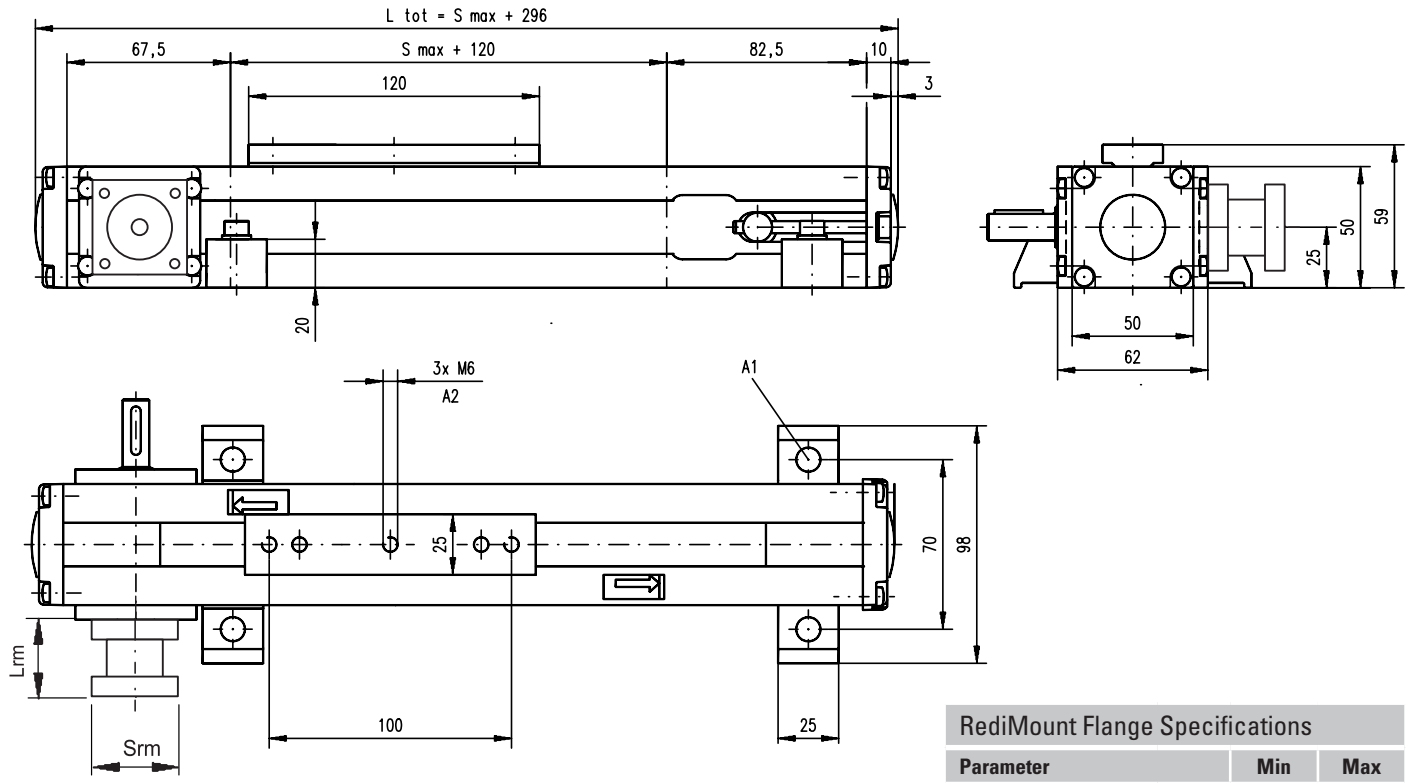
Definition of Forces



M50

Belt Drive, Slide Guide

Dimensions	Projection	Online Sizing & Selection!
METRIC		www.LinearMotioneering.com



A1: ø6,5 for M6 screw
 A2: depth 9, Heli coil

Parameter	Min	Max
Flange length (Lrm) [mm]	57	92
Flange square (Srm) [mm]	60	139
Flange weight * [kg]	1,84	

* Max. weight including coupling and fastening screws

M55

Belt Drive, Slide Guide

» Ordering key - see page 188
 » Accessories - see page 117
 » Additional data - see page 174

General Specifications

Parameter	M55
Profile size (w × h) [mm]	58 × 50
Type of belt	22-STD SM5-HP
Carriage sealing system	self-adjusting steel cover band
Adjustable belt tensioning	the belt can be retensioned by the customer if necessary
Lubrication	lubricated for life
Included accessories	none

Performance Specifications

for Units with Single Standard Carriage (A)¹

Parameter		M55
Stroke length (Smax), maximum	[mm]	7000
Total length (L tot), maximum	[mm]	7313
Linear speed, maximum	[m/s]	5,0
Acceleration, maximum	[m/s ²]	40
Repeatability	[± mm]	0,2
Input speed, maximum	[rpm]	2850
Operation temperature limits	[°C]	-20 – 70
Dynamic load (Fx), maximum	[N]	400
< 2,5 m/s		400
> 2,5 m/s		200
Dynamic load (Fy), maximum	[N]	400
Dynamic load (Fz), maximum	[N]	400
Dynamic load torque (Mx), maximum	[Nm]	9
Dynamic load torque (My), maximum	[Nm]	21
Dynamic load torque (Mz), maximum	[Nm]	21
Drive shaft force (Frd), maximum ²	[N]	200
Input/drive shaft torque (Mta), maximum	[Nm]	7
Pulley diameter	[mm]	33,42
Stroke per shaft revolution	[mm]	105
Weight	[kg]	
of unit with zero stroke		4,10
of every 100 mm of stroke		0,41
of carriage		1,10

¹ See next page for deviating values of units with other carriage types.

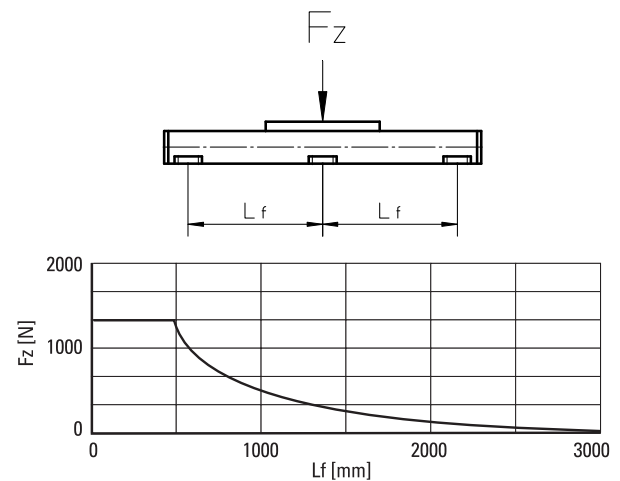
² Only relevant for units without RediMount flange.

Carriage Idle Torque (M idle) [Nm]

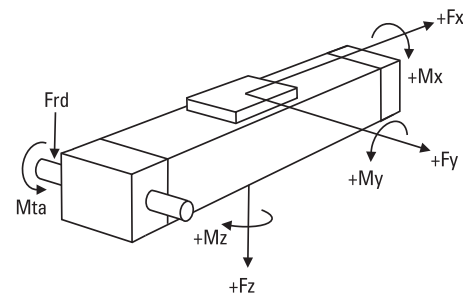
Input speed [rpm]	Single Carriage	Double Carriages
150	2,1	3,8

M idle = the input torque needed to move the carriage with no load on it.

Deflection of the Profile



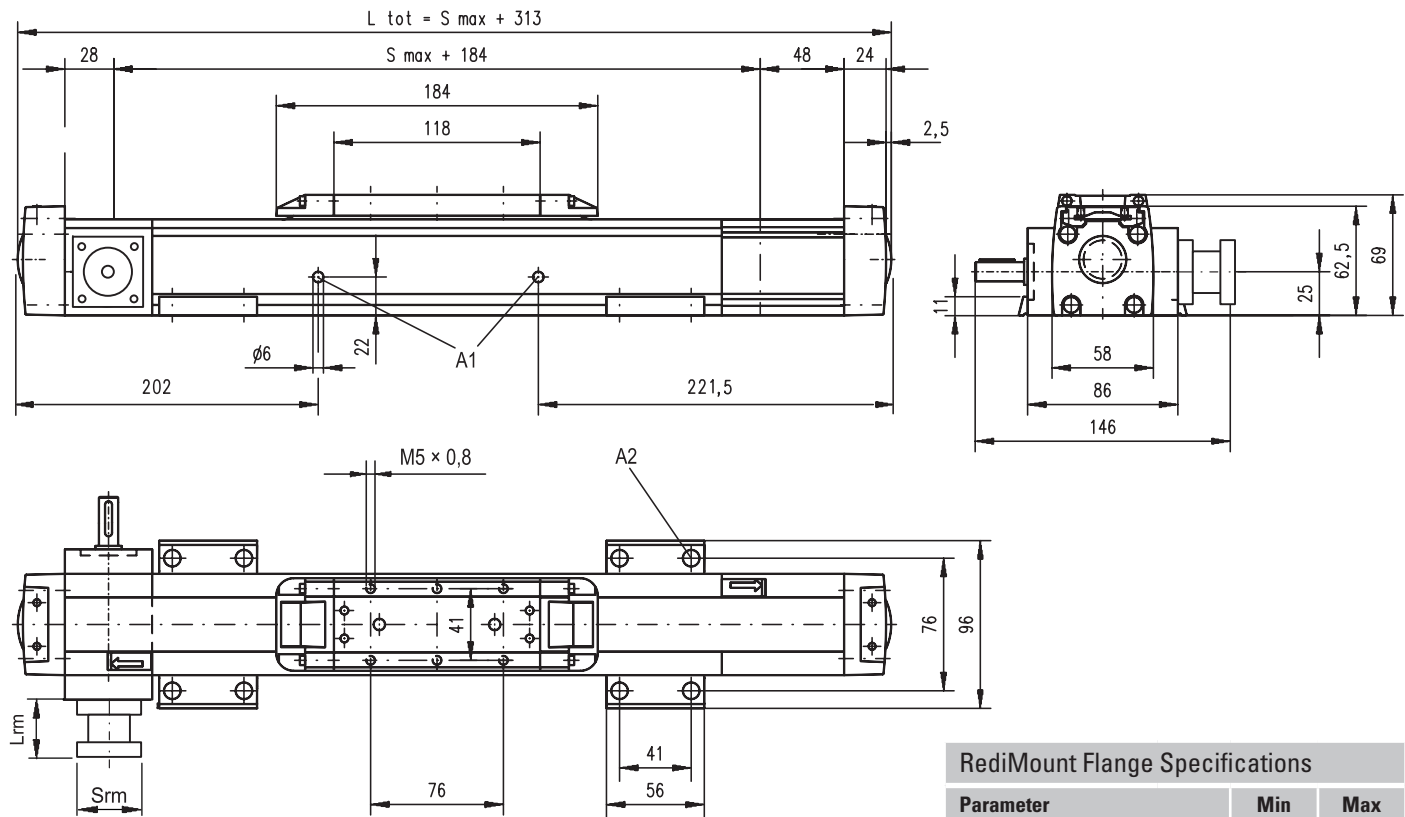
Definition of Forces



M55

Belt Drive, Slide Guide

Dimensions	Projection	Online Sizing & Selection!
METRIC		www.LinearMotioneering.com



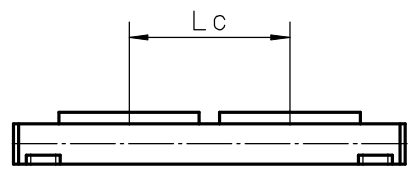
A1: slide guide tensioning holes
 A2: $\varnothing 9,5/\varnothing 5,5$ for socket head cap screw M5

Parameter	Min	Max
Flange length (Lrm) [mm]	57	92
Flange square (Srm) [mm]	60	139
Flange weight * [kg]	1,84	

* Max. weight including coupling and fastening screws

Parameter	M55
Stroke length (Smax), maximum [mm]	6800
Total length (L tot), maximum [mm]	7313
Minimum distance between carriages (Lc) [mm]	200
Dynamic load (Fy), maximum [N]	600
Dynamic load (Fz), maximum [N]	600
Dynamic load torque (My), maximum [Nm]	$Lc^1 \times 0,3$
Dynamic load torque (Mz), maximum [Nm]	$Lc^1 \times 0,3$
Force required to move second carriage [N]	35
Total length (L tot) [mm]	$Smax + Lc + 313$
Weight of unit with zero stroke of carriages [kg]	6,00 2,20

¹ Value in mm



M75

Belt Drive, Slide Guide

- » Ordering key - see page 188
- » Accessories - see page 117
- » Additional data - see page 174

General Specifications

Parameter	M75
Profile size (w × h) [mm]	86 × 75
Type of belt	STD5-40
Carriage sealing system	self-adjusting steel cover band
Adjustable belt tensioning	the belt can be retensioned by the customer if necessary
Lubrication	lubricated for life
Included accessories	none

Performance Specifications

for Units with Single Standard Carriage (A)¹

Parameter		M75
Stroke length (Smax), maximum	[mm]	12000
Total length (L tot), maximum	[mm]	12368
Linear speed, maximum	[m/s]	5,0
Acceleration, maximum	[m/s ²]	40
Repeatability	[± mm]	0,2
Input speed, maximum	[rpm]	2300
Operation temperature limits	[°C]	-20 – 70
Dynamic load (Fx), maximum	[N]	900
< 2,5 m/s		450
> 2,5 m/s		
Dynamic load (Fy), maximum	[N]	1485
Dynamic load (Fz), maximum	[N]	1485
Dynamic load torque (Mx), maximum	[Nm]	49
Dynamic load torque (My), maximum	[Nm]	85
Dynamic load torque (Mz), maximum	[Nm]	85
Drive shaft force (Frd), maximum ²	[N]	600
Input/drive shaft torque (Mta), maximum	[Nm]	30
Pulley diameter	[mm]	41,38
Stroke per shaft revolution	[mm]	130
Weight	[kg]	
of unit with zero stroke		6,30
of every 100 mm of stroke		0,67
of carriage		1,50

¹ See next page for deviating values of units with other carriage types.

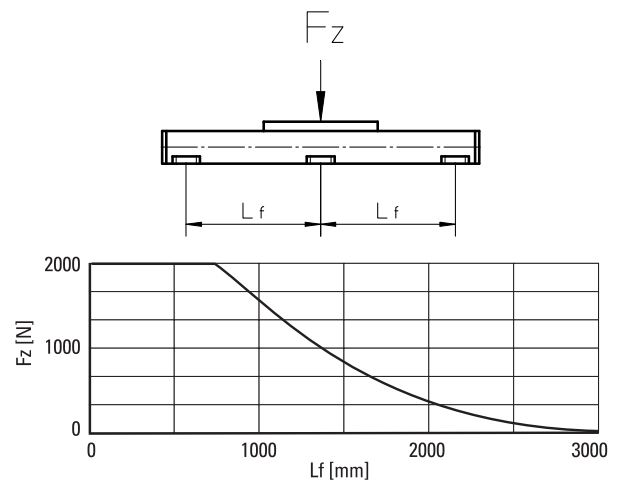
² Only relevant for units without RediMount flange.

Carriage Idle Torque (M idle) [Nm]

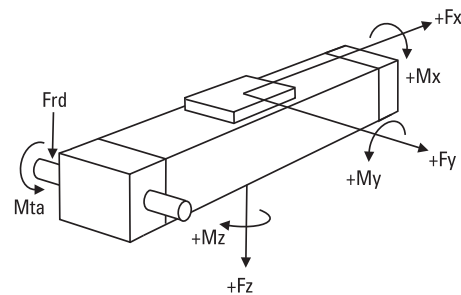
Input speed [rpm]	Single Carriage	Double Carriages
150	2,2	4,0

M idle = the input torque needed to move the carriage with no load on it.

Deflection of the Profile



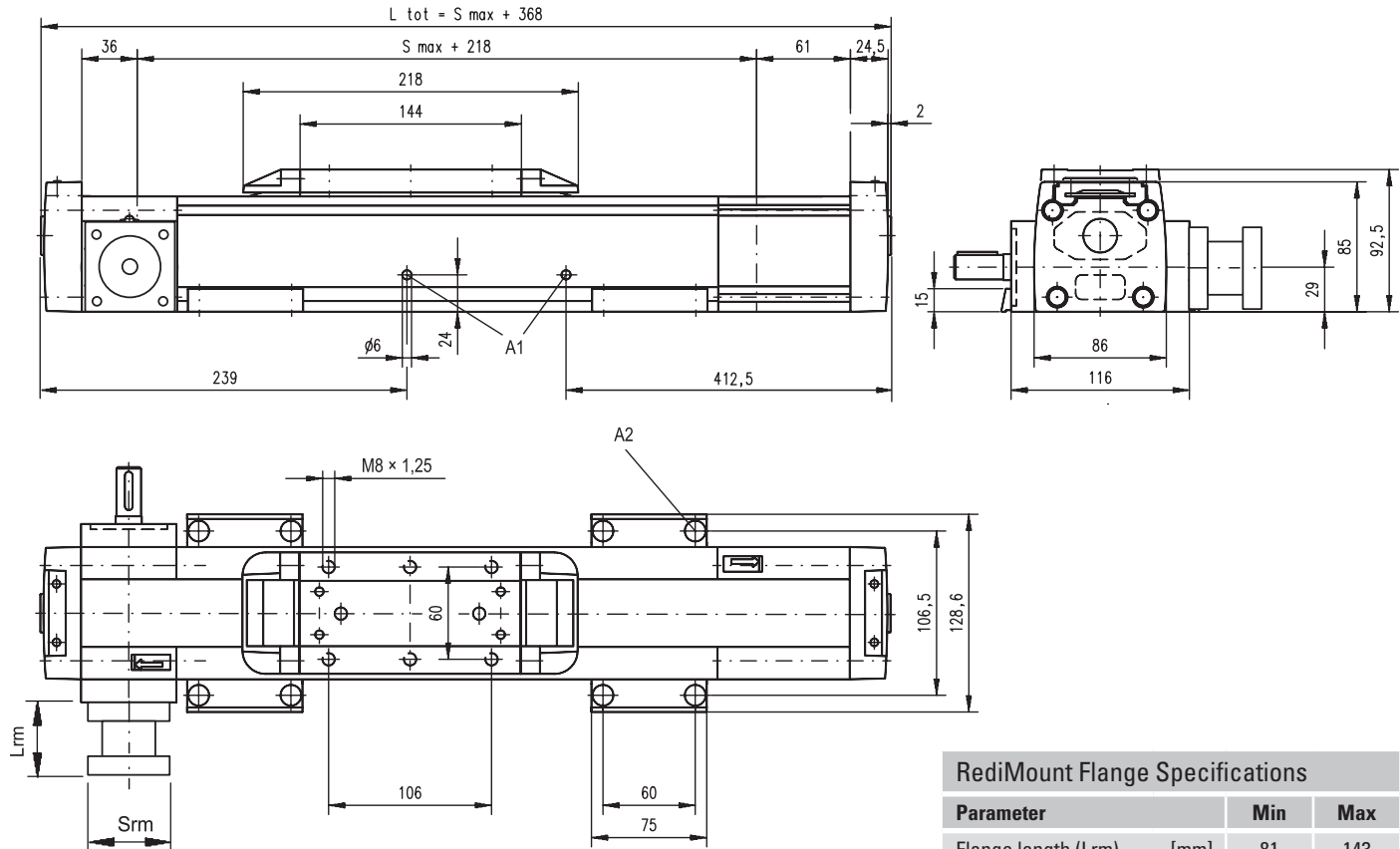
Definition of Forces



M75

Belt Drive, Slide Guide

Dimensions	Projection	Online Sizing & Selection!
METRIC		www.LinearMotioneering.com



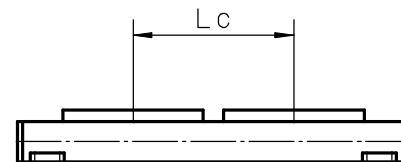
A1: slide guide tensioning holes
 A2: $\varnothing 13,5/\varnothing 8,5$ for socket head cap screw M8

Parameter	Min	Max
Flange length (Lrm) [mm]	81	143
Flange square (Srm) [mm]	90	200
Flange weight * [kg]	6,00	

* Max. weight including coupling and fastening screws

Parameter	M75
Stroke length (Smax), maximum [mm]	11750
Total length (L tot), maximum [mm]	12368
Minimum distance between carriages (Lc) [mm]	250
Dynamic load (Fy), maximum [N]	2227
Dynamic load (Fz), maximum [N]	2227
Dynamic load torque (My), maximum [Nm]	$Lc^1 \times 1,114$
Dynamic load torque (Mz), maximum [Nm]	$Lc^1 \times 1,114$
Force required to move second carriage [N]	40
Total length (L tot) [mm]	$Smax + Lc + 368$
Weight of unit with zero stroke of carriages [kg]	9,50 3,00

¹ Value in mm



M100

Belt Drive, Slide Guide

- » Ordering key - see page 188
- » Accessories - see page 117
- » Additional data - see page 174

General Specifications

Parameter	M100
Profile size (w × h) [mm]	108 × 100
Type of belt	STD8-50
Carriage sealing system	self-adjusting steel cover band
Adjustable belt tensioning	the belt can be retensioned by the customer if necessary
Lubrication	lubricated for life
Included accessories	none

Performance Specifications

for Units with Single Standard Carriage (A)¹

Parameter		M100
Stroke length (Smax), maximum	[mm]	11900
Total length (L tot), maximum	[mm]	12331
Linear speed, maximum	[m/s]	5,0
Acceleration, maximum	[m/s ²]	40
Repeatability	[± mm]	0,2
Input speed, maximum	[rpm]	1700
Operation temperature limits	[°C]	-20 – 70
Dynamic load (Fx), maximum	[N]	
< 2,5 m/s		1250
> 2,5 m/s		625
Dynamic load (Fy), maximum	[N]	3005
Dynamic load (Fz), maximum	[N]	3005
Dynamic load torque (Mx), maximum	[Nm]	117
Dynamic load torque (My), maximum	[Nm]	279
Dynamic load torque (Mz), maximum	[Nm]	279
Drive shaft force (Frd), maximum ²	[N]	1000
Input/drive shaft torque (Mta), maximum	[Nm]	45
Pulley diameter	[mm]	56,02
Stroke per shaft revolution	[mm]	176
Weight	[kg]	
of unit with zero stroke		11,10
of every 100 mm of stroke		1,16
of carriage		2,40

¹ See next page for deviating values of units with other carriage types.

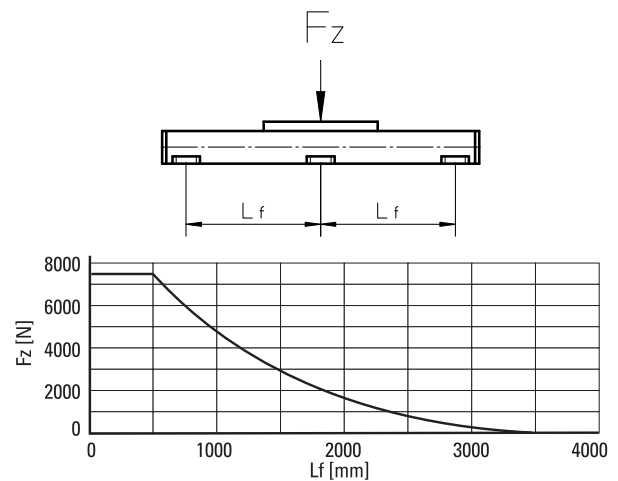
² Only relevant for units without RediMount flange.

Carriage Idle Torque (M idle) [Nm]

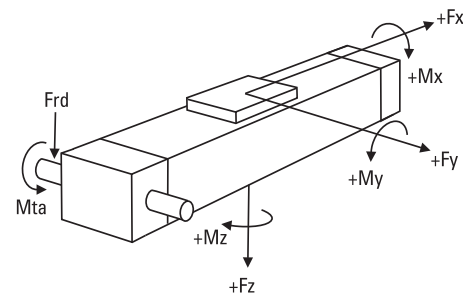
Input speed [rpm]	Single Carriage	Double Carriages
150	3,8	5,8

M idle = the input torque needed to move the carriage with no load on it.

Deflection of the Profile



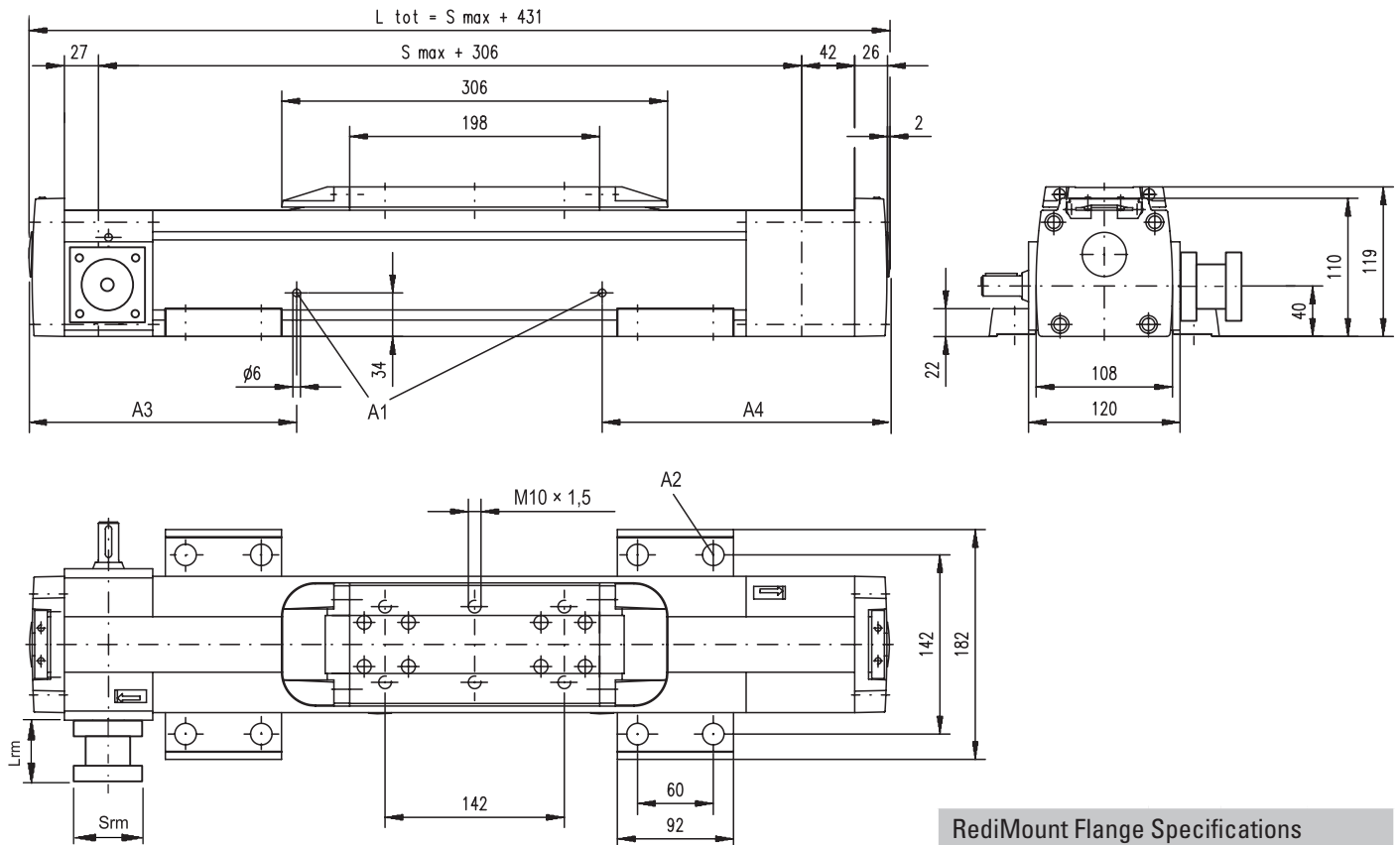
Definition of Forces



M100

Belt Drive, Slide Guide

Dimensions	Projection	Online Sizing & Selection!
METRIC		www.LinearMotioneering.com



- A1: slide guide tensioning holes
- A2: $\phi 17/\phi 10,5$ for socket head cap screw M10
- A3: 170 (L tot \leq 1056 mm), 270 (L tot $>$ 1056 mm)
- A4: 186 (L tot \leq 1056 mm), 436 (L tot $>$ 1056 mm)

RediMount Flange Specifications

Parameter	Min	Max
Flange length (Lrm)	[mm] 81	143
Flange square (Srm)	[mm] 90	200
Flange weight *	[kg]	6,00

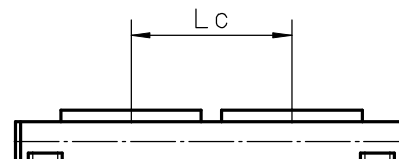
* Max. weight including coupling and fastening screws

Performance Specifications

for Units with Double Standard Carriage (C)

Parameter		M100
Stroke length (Smax), maximum	[mm]	11550
Total length (L tot), maximum	[mm]	12331
Minimum distance between carriages (Lc)	[mm]	350
Dynamic load (Fy), maximum	[N]	4508
Dynamic load (Fz), maximum	[N]	4508
Dynamic load torque (My), maximum	[Nm]	$Lc^1 \times 2,254$
Dynamic load torque (Mz), maximum	[Nm]	$Lc^1 \times 2,254$
Force required to move second carriage	[N]	45
Total length (L tot)	[mm]	$Smax + Lc + 431$
Weight of unit with zero stroke of carriages	[kg]	17,40 4,80

¹ Value in mm

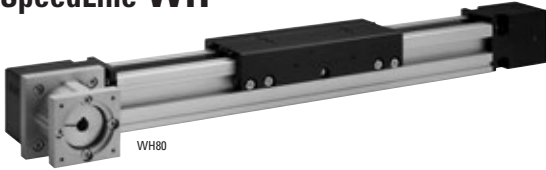




Linear Units with Belt Drive and Wheel Guide

Overview

SpeedLine WH



Features

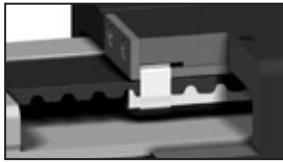
- Can be installed in any orientation
- Speed up to 11 m/s and stroke up to 11 m
- Acceleration up to 40 m/s²
- Felt pad wipers cleaning the guides as standard

Parameter		WH50	WH80	WH120
Profile size (width × height)	[mm]	50 × 50	80 × 80	120 × 110
Stroke length (Smax), maximum	[mm]	3000	11000	11000
Linear speed, maximum	[m/s]	6,5	10,0	10,0
Dynamic carriage load (Fz), maximum	[N]	730	2100	9300
Remarks		external wheel guides no cover band	external wheel guides no cover band	external wheel guides no cover band
Page		102	104	106

WH-Series Technical Presentation

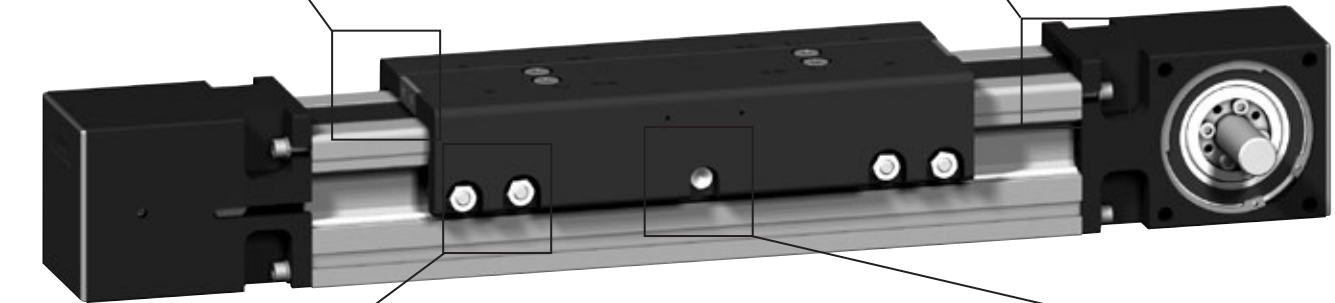
Belt tensioning

The belt can easily be replaced or re-tensioned from the outside of the unit without the load being removed from the carriage.



Belt drive

The steel reinforced belt is wear resistant, highly efficient and very accurate even at high speeds and loads.



Wheel guides

The H-type arrangement of the guides allows fast moves and high forces and moments.



Central lubrication

The guides are lubricated from a central point that is easy and fast to access.

Note! the unit is pictured without a RediMount™ flange

Linear Units with Belt Drive and Wheel Guide

Overview

ForceLine **MLSH**



Features

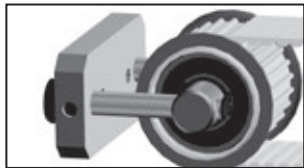
- Can be installed in any orientation
- Patented plastic cover band
- Speed up to 10 m/s
- Low profile height

Parameter		MLSH60Z
Profile size (width × height)	[mm]	160 × 65
Stroke length (Smax), maximum	[mm]	5500
Linear speed, maximum	[m/s]	10,0
Dynamic carriage load (Fz), maximum	[N]	3000
Remarks		internal wheel guides
Page		108

MLSH-Series Technical Presentation

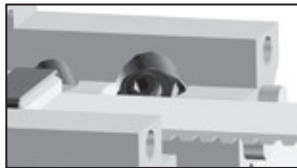
Belt tensioning

The belt can easily be re-tensioned from the outside of the unit without the load being removed from the carriage.



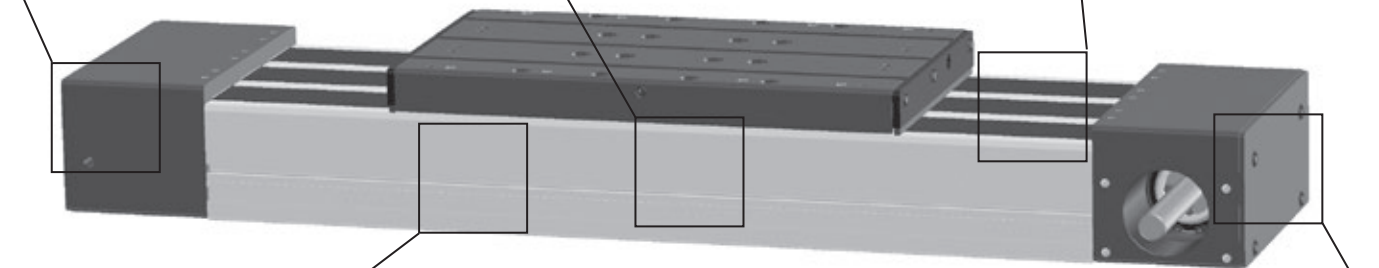
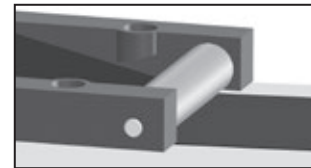
Belt drive

The highly dynamic and accurate belt is protected by the cover band ensuring long and trouble free operation.



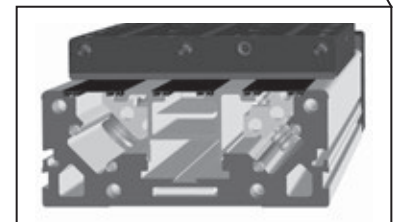
Cover band

The patented cover band protects the interior of the unit from the penetration of dirt, dust and liquids.



Wheel guides

The robust wheel guides run inside of the profile providing superior motion dynamics.



Unique profile

The unique design of the profile guarantees the highest performance and protection of the guides and belt.

Note! the unit is pictured without a RediMount™ flange

WH50

Belt Drive, Wheel Guide

- » Ordering key - see page 189
- » Accessories - see page 117
- » Additional data - see page 174

General Specifications

Parameter	WH50
Profile size (w × h) [mm]	50 × 50
Type of belt	16ATL5
Carriage sealing system	none
Adjustable belt tensioning	the belt can be retensioned by the customer if necessary
Lubrication	lubrication of guiding surfaces
Included accessories	4 × mounting clamps

Performance Specifications

for Units with Single Standard Carriage (N)¹

Parameter		WH50
Stroke length (Smax), maximum	[mm]	3000
Total length (L tot), maximum	[mm]	3440
Linear speed, maximum	[m/s]	6,5
Acceleration, maximum	[m/s ²]	40
Repeatability	[± mm]	0,05
Input speed, maximum	[rpm]	3250
Operation temperature limits	[°C]	0 – 80
Dynamic load (Fx), maximum	[N]	670 ²
Dynamic load (Fy), maximum	[N]	415
Dynamic load (Fz), maximum	[N]	730
Dynamic load torque (Mx), maximum	[Nm]	16
Dynamic load torque (My), maximum	[Nm]	87
Dynamic load torque (Mz), maximum	[Nm]	50
Drive shaft force (Frd), maximum ³	[N]	150
Input/drive shaft torque (Mta), maximum	[Nm]	17
Pulley diameter	[mm]	38,2
Stroke per shaft revolution	[mm]	120
Weight	[kg]	
of unit with zero stroke		3,50
of every 100 mm of stroke		0,44
of each carriage		0,90

¹ See next page for deviating values of units with other carriage types.

² See diagram Force Fx.

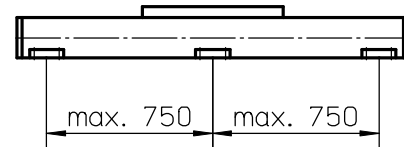
³ Only relevant for units without RediMount flange.

Carriage Idle Torque, (M idle) [Nm]

Input speed [rpm]	Idle torque [Nm]
150	1,7
1500	2,4
3250	3,8

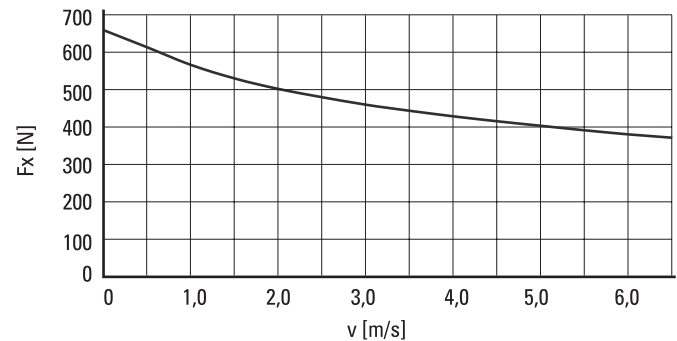
M idle = the input torque needed to move the carriage with no load on it.

Deflection of the Profile

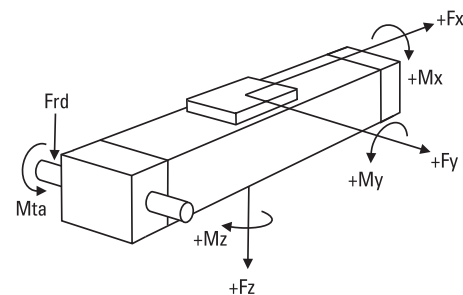


A mounting clamp must be installed at least every 750 mm to be able to operate at maximum load. Less clamps may be required if less load is being operated, see the additional technical data for more information.

Force Fx as a Function of the Speed



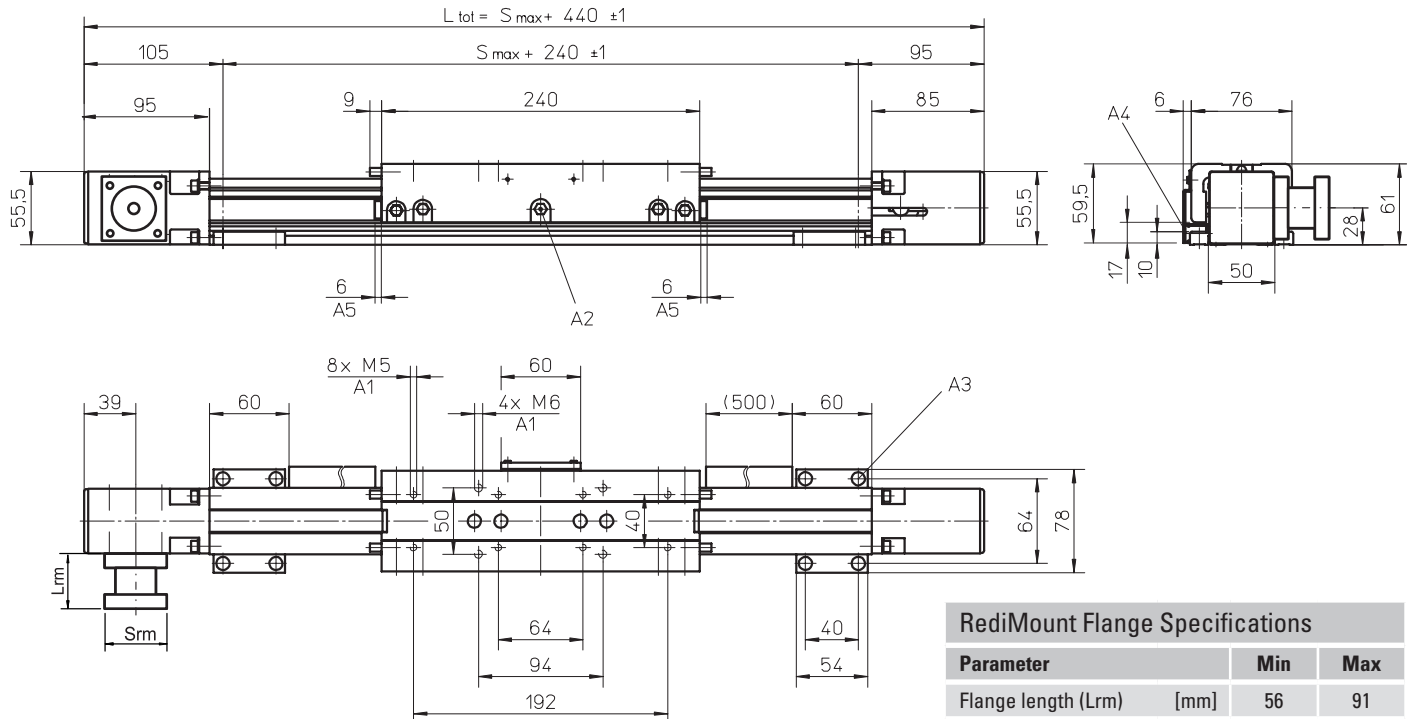
Definition of Forces



WH50

Belt Drive, Wheel Guide

Dimensions	Projection	Online Sizing & Selection!
METRIC		www.LinearMotioneering.com



- A1: depth 10
- A2: funnel type lubricating nipple DIN3405-M6x1-D1
- A3: socket cap screw ISO4762-M5x12 8.8
- A4: ENF inductive sensor rail kit (optional - see page 150)
- A5: felt pad wipers on both sides of the carriage

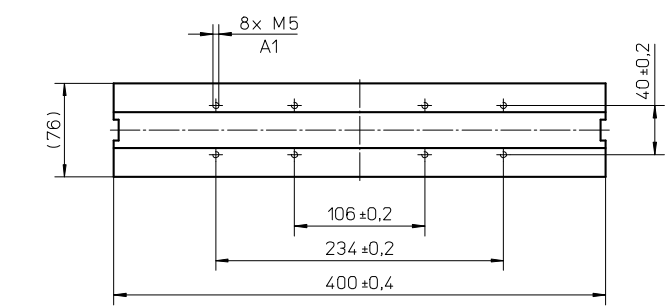
Parameter	Min	Max
Flange length (L _{fm}) [mm]	56	91
Flange square (S _{fm}) [mm]	60	139
Flange weight * [kg]	1,81	

* Max. weight including coupling and fastening screws

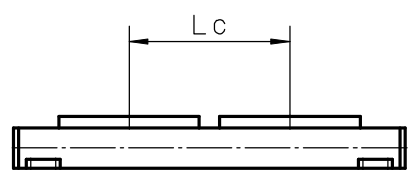
Parameter	WH50
Stroke length (S _{max}), maximum [mm]	3000
Total length (L _{tot}), maximum [mm]	3600
Carriage length [mm]	400
Dynamic load torque (M _y), maximum [Nm]	130
Dynamic load torque (M _z), maximum [Nm]	75
Weight [kg]	1,47

Parameter	WH50
Stroke length (S _{max}), maximum [mm]	2900
Total length (L _{tot}), maximum [mm]	3600
Minimum distance between carriages (L _c) [mm]	260
Dynamic load (F _y), maximum [N]	830
Dynamic load (F _z), maximum [N]	1460
Dynamic load torque (M _y), maximum [Nm]	L _c ¹ × 0,415
Dynamic load torque (M _z), maximum [Nm]	L _c ¹ × 0,73
Force required to move second carriage [N]	16
Total length (L _{tot}) [mm]	S _{max} + 440 + L _c

¹ Value in mm



A1: depth 10



WH80

Belt Drive, Wheel Guide

- » Ordering key - see page 189
- » Accessories - see page 117
- » Additional data - see page 174

General Specifications

Parameter	WH80
Profile size (w × h) [mm]	80 × 80
Type of belt	32ATL10
Carriage sealing system	none
Adjustable belt tensioning	the belt can be retensioned by the customer if necessary
Lubrication	lubrication of guiding surfaces
Included accessories	4 × mounting clamps

Performance Specifications

for Units with Single Standard Carriage (N)¹

Parameter		WH80
Stroke length (Smax), maximum	[mm]	11000
Total length (L tot), maximum	[mm]	11550
Linear speed, maximum	[m/s]	10,0
Acceleration, maximum	[m/s ²]	40
Repeatability	[± mm]	0,05
Input speed, maximum	[rpm]	3000
Operation temperature limits	[°C]	0 – 80
Dynamic load (Fx), maximum	[N]	2700 ²
Dynamic load (Fy), maximum	[N]	882
Dynamic load (Fz), maximum	[N]	2100
Dynamic load torque (Mx), maximum	[Nm]	75
Dynamic load torque (My), maximum	[Nm]	230
Dynamic load torque (Mz), maximum	[Nm]	100
Drive shaft force (Frd), maximum ³	[N]	500
Input/drive shaft torque (Mta), maximum	[Nm]	100
Pulley diameter	[mm]	63,66
Stroke per shaft revolution	[mm]	200
Weight	[kg]	
of unit with zero stroke		8,63
of every 100 mm of stroke		0,93
of each carriage		2,75

¹ See next page for deviating values of units with other carriage types.

² See diagram Force Fx.

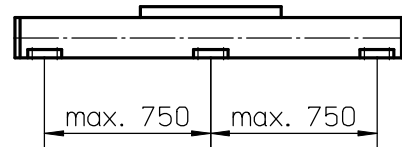
³ Only relevant for units without RediMount flange.

Carriage Idle Torque, (M idle) [Nm]

Input speed [rpm]	Idle torque [Nm]
150	2,4
1500	3,5
3000	5,0

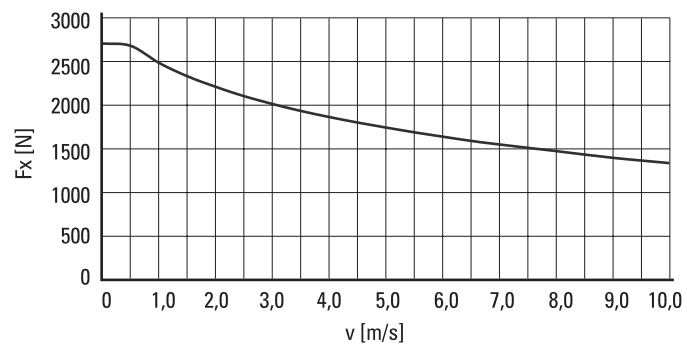
M idle = the input torque needed to move the carriage with no load on it.

Deflection of the Profile

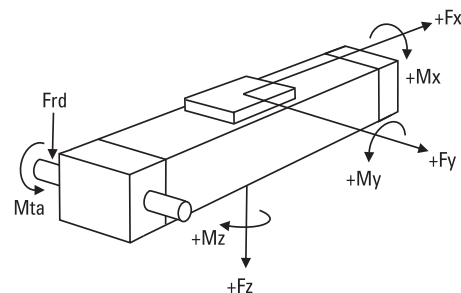


A mounting clamp must be installed at least every 750 mm to be able to operate at maximum load. Less clamps may be required if less load is being operated, see the additional technical data for more information. Units with a profile length over 6300 mm consist of two profiles where the joint between the two profiles must be adequately supported on both sides.

Force Fx as a Function of the Speed



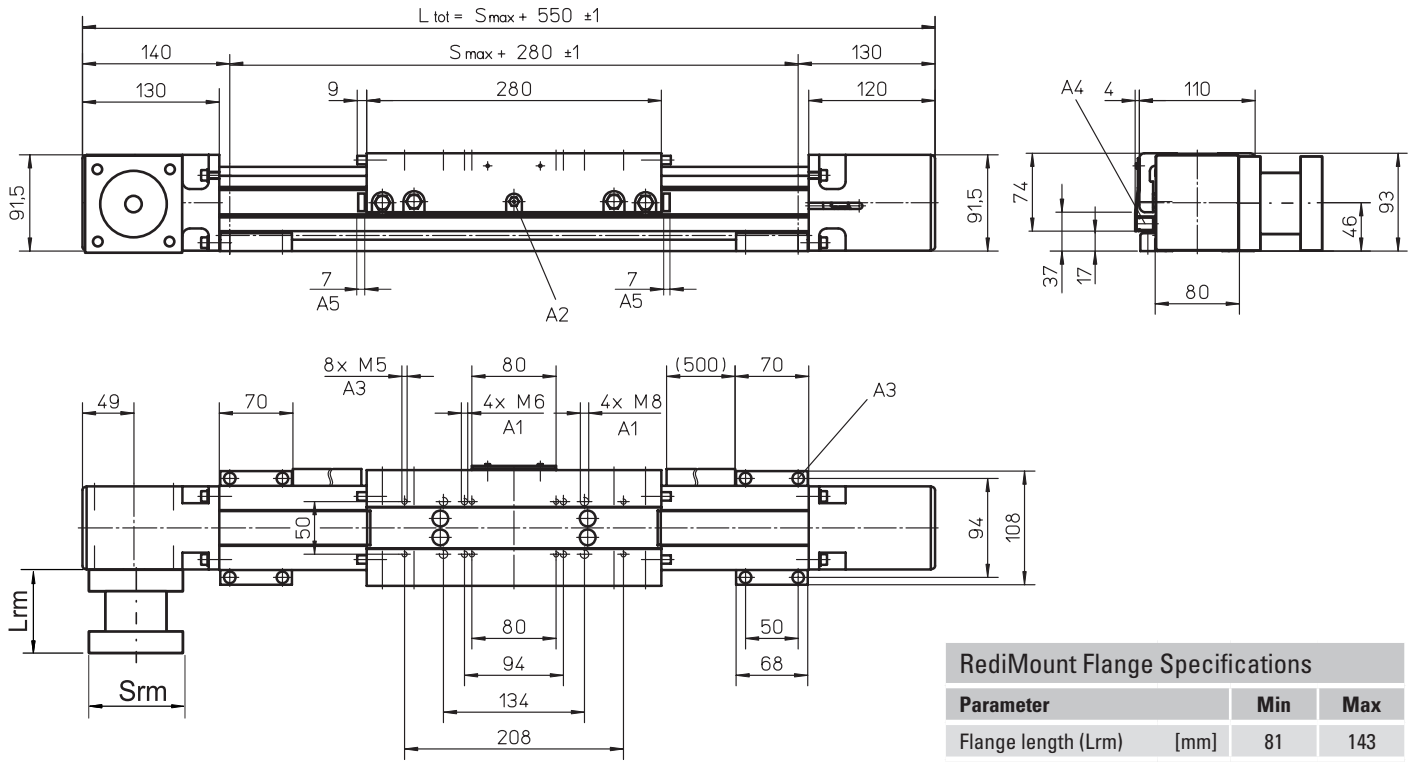
Definition of Forces



WH80

Belt Drive, Wheel Guide

Dimensions	Projection	Online Sizing & Selection!
METRIC		www.LinearMotioneering.com



- A1: depth 12
- A2: funnel type lubricating nipple DIN3405-M6×1-D1
- A3: socket cap screw ISO4762-M6×20 8.8
- A4: ENF inductive sensor rail kit (optional - see page 150)
- A5: felt pad wipers on both sides of the carriage

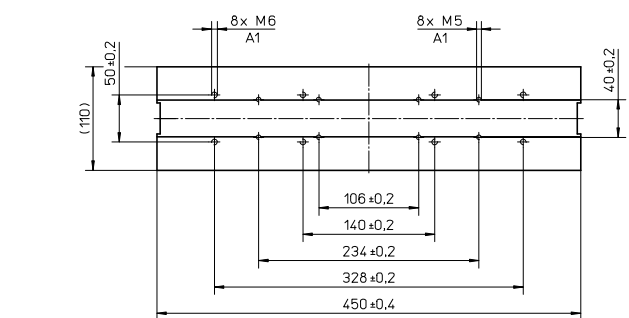
Parameter	Min	Max
Flange length (L _{rm}) [mm]	81	143
Flange square (S _{rm}) [mm]	90	200
Flange weight * [kg]	5,70	

* Max. weight including coupling and fastening screws

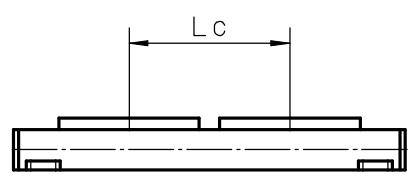
Parameter	WH80
Stroke length (S _{max}), maximum [mm]	11000
Total length (L _{tot}), maximum [mm]	11720
Carriage length [mm]	450
Dynamic load torque (M _y), maximum [Nm]	345
Dynamic load torque (M _z), maximum [Nm]	150
Weight [kg]	3,43

Parameter	WH80
Stroke length (S _{max}), maximum [mm]	10870
Total length (L _{tot}), maximum [mm]	11720
Minimum distance between carriages (L _c) [mm]	300
Dynamic load (F _y), maximum [N]	1764
Dynamic load (F _z), maximum [N]	4200
Dynamic load torque (M _y), maximum [Nm]	L _c ¹ × 0,882
Dynamic load torque (M _z), maximum [Nm]	L _c ¹ × 2,1
Force required to move second carriage [N]	20
Total length (L _{tot}) [mm]	S _{max} + 550 + L _c

¹ Value in mm



- A1: depth 12



WH120

Belt Drive, Wheel Guide

- » Ordering key - see page 189
- » Accessories - see page 117
- » Additional data - see page 174

General Specifications

Parameter	WH120
Profile size (w × h) [mm]	120 × 110
Type of belt	50ATL10
Carriage sealing system	none
Adjustable belt tensioning	the belt can be retensioned by the customer if necessary
Lubrication	lubrication of guiding surfaces
Included accessories	4 × mounting clamps

Performance Specifications

for Units with Single Standard Carriage (N)¹

Parameter		WH120
Stroke length (Smax), maximum	[mm]	11000
Total length (L tot), maximum	[mm]	11605
Linear speed, maximum	[m/s]	10,0
Acceleration, maximum	[m/s ²]	40
Repeatability	[± mm]	0,05
Input speed, maximum	[rpm]	2308
Operation temperature limits	[°C]	0 – 80
Dynamic load (Fx), maximum	[N]	5000 ²
Dynamic load (Fy), maximum	[N]	4980
Dynamic load (Fz), maximum	[N]	9300
Dynamic load torque (Mx), maximum	[Nm]	500
Dynamic load torque (My), maximum	[Nm]	930
Dynamic load torque (Mz), maximum	[Nm]	500
Drive shaft force (Frd), maximum ³	[N]	700
Input/drive shaft torque (Mta), maximum	[Nm]	200
Pulley diameter	[mm]	82,76
Stroke per shaft revolution	[mm]	260
Weight of unit with zero stroke	[kg]	17,00
of every 100 mm of stroke		1,64
of each carriage		5,50

¹ See next page for deviating values of units with other carriage types.

² See diagram Force Fx.

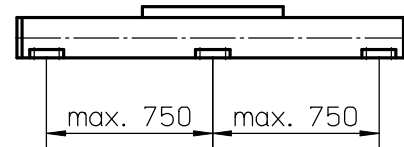
³ Only relevant for units without RediMount flange.

Carriage Idle Torque, (M idle) [Nm]

Input speed [rpm]	Idle torque [Nm]
150	4,8
1500	7,0
2308	10,0

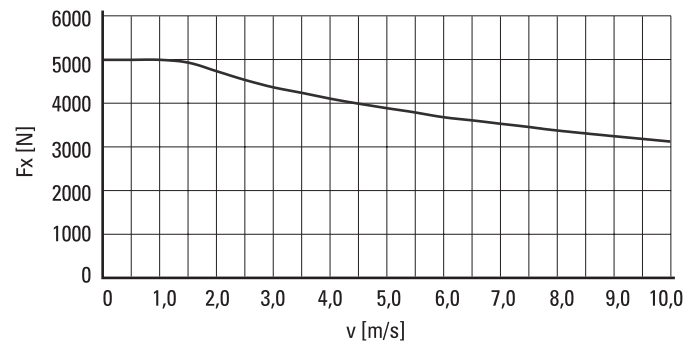
M idle = the input torque needed to move the carriage with no load on it.

Deflection of the Profile

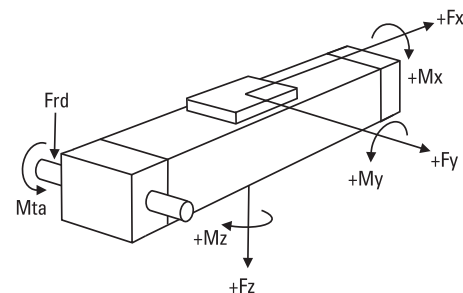


A mounting clamp must be installed at least every 750 mm to be able to operate at maximum load. Less clamps may be required if less load is being operated, see the additional technical data for more information. Units with a profile length over 4900 mm consist of two profiles where the joint between the two profiles must be adequately supported on both sides.

Force Fx as a Function of the Speed



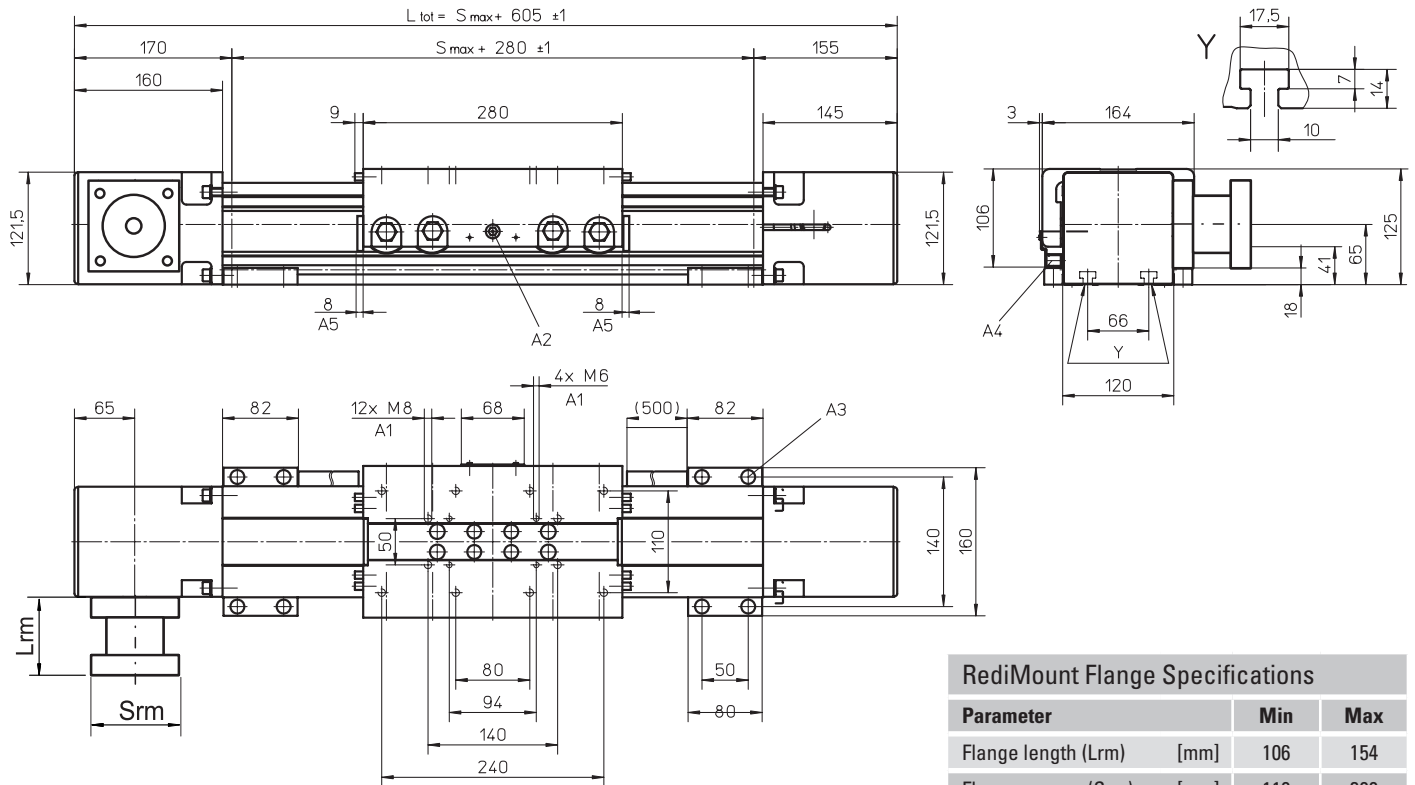
Definition of Forces



WH120

Belt Drive, Wheel Guide

Dimensions	Projection	Online Sizing & Selection!
METRIC		www.LinearMotioneering.com



- A1: depth 12
- A2: funnel type lubricating nipple DIN3405-M6×1-D1
- A3: socket cap screw ISO4762-M8×20 8.8
- A4: ENF inductive sensor rail kit (optional - see page 150)
- A5: felt pad wipers on both sides of the carriage

Parameter	Min	Max
Flange length (L _{rm})	[mm] 106	154
Flange square (S _{rm})	[mm] 110	200
Flange weight *	[kg]	5,97

* Max. weight including coupling and fastening screws

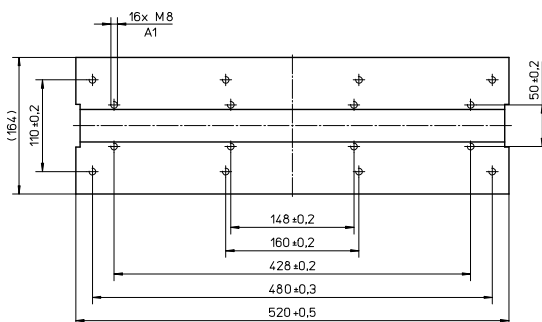
Performance Specifications for Units with Single Long Carriage (L)

Parameter	WH120
Stroke length (S _{max}), maximum	[mm] 11000
Total length (L _{tot}), maximum	[mm] 11845
Carriage length	[mm] 520
Dynamic load torque (M _y), maximum	[Nm] 1395
Dynamic load torque (M _z), maximum	[Nm] 750
Weight	[kg] 8,67

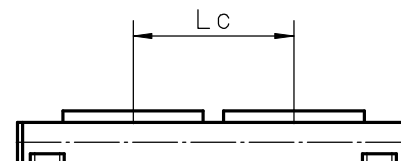
Performance Specifications for Units with Double Standard Carriage (Z)

Parameter	WH120
Stroke length (S _{max}), maximum	[mm] 10940
Total length (L _{tot}), maximum	[mm] 11845
Minimum distance between carriages (L _c)	[mm] 300
Dynamic load (F _y), maximum	[N] 9960
Dynamic load (F _z), maximum	[N] 18600
Dynamic load torque (M _y), maximum	[Nm] L _c ¹ × 4,98
Dynamic load torque (M _z), maximum	[Nm] L _c ¹ × 9,3
Force required to move second carriage	[N] 30
Total length (L _{tot})	[mm] S _{max} + 605 + L _c

¹ Value in mm



A1: depth 12



MLSH60Z

Belt Drive, Wheel Guide

- » Ordering key - see page 190
- » Accessories - see page 117
- » Additional data - see page 174

General Specifications

Parameter	MLSH60Z
Profile size (w × h) [mm]	160 × 65
Type of belt	32ATL5
Carriage sealing system	plastic cover band
Adjustable belt tensioning	the belt can be retensioned by the customer if necessary
Lubrication	no lubrication required
Included accessories	4 × mounting clamps

Performance Specifications

for Units with Single Standard Carriage (N)¹

Parameter		MLSH60Z
Stroke length (S _{max}), maximum	[mm]	5500
Total length (L _{tot}), maximum	[mm]	5980
Linear speed, maximum	[m/s]	6,5
Acceleration, maximum	[m/s ²]	40
Repeatability	[± mm]	0,05
Input speed, maximum	[rpm]	3000
Operation temperature limits	[°C]	0 – 80
Dynamic load (F _x), maximum	[N]	1480 ²
Dynamic load (F _y), maximum	[N]	3000
Dynamic load (F _z), maximum	[N]	3000
Dynamic load torque (M _x), maximum	[Nm]	165
Dynamic load torque (M _y), maximum	[Nm]	310
Dynamic load torque (M _z), maximum	[Nm]	310
Drive shaft force (F _{rd}), maximum ³	[N]	200
Input/drive shaft torque (M _{ta}), maximum	[Nm]	45
Pulley diameter	[mm]	42,97
Stroke per shaft revolution	[mm]	135
Weight	[kg]	
of unit with zero stroke		12,60
of every 100 mm of stroke		1,33
of each carriage		3,90

¹ See next page for deviating values of units with other carriage types.

² See diagram Force F_x.

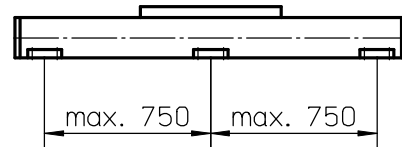
³ Only relevant for units without RediMount flange.

Carriage Idle Torque, (M_{idle}) [Nm]

Input speed [rpm]	Idle torque [Nm]
150	4,6
1500	9,0
3000	12,0

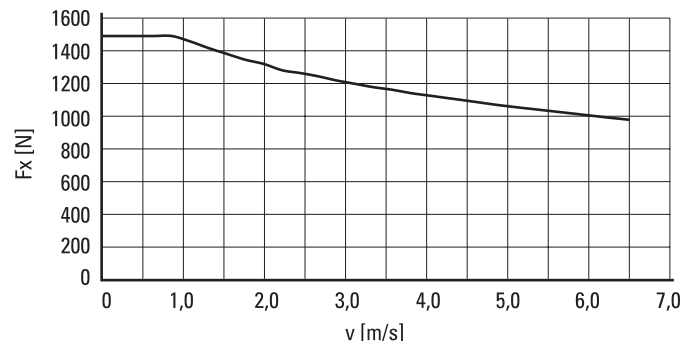
M_{idle} = the input torque needed to move the carriage with no load on it.

Deflection of the Profile

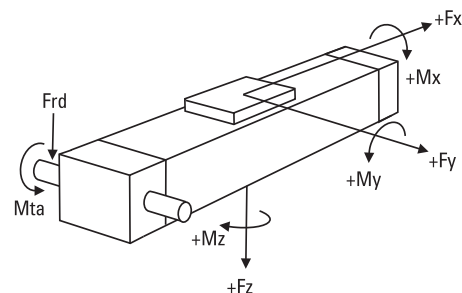


A mounting clamp must be installed at least every 750 mm to be able to operate at maximum load. Less clamps may be required if less load is being operated, see the additional technical data for more information.

Force F_x as a Function of the Speed



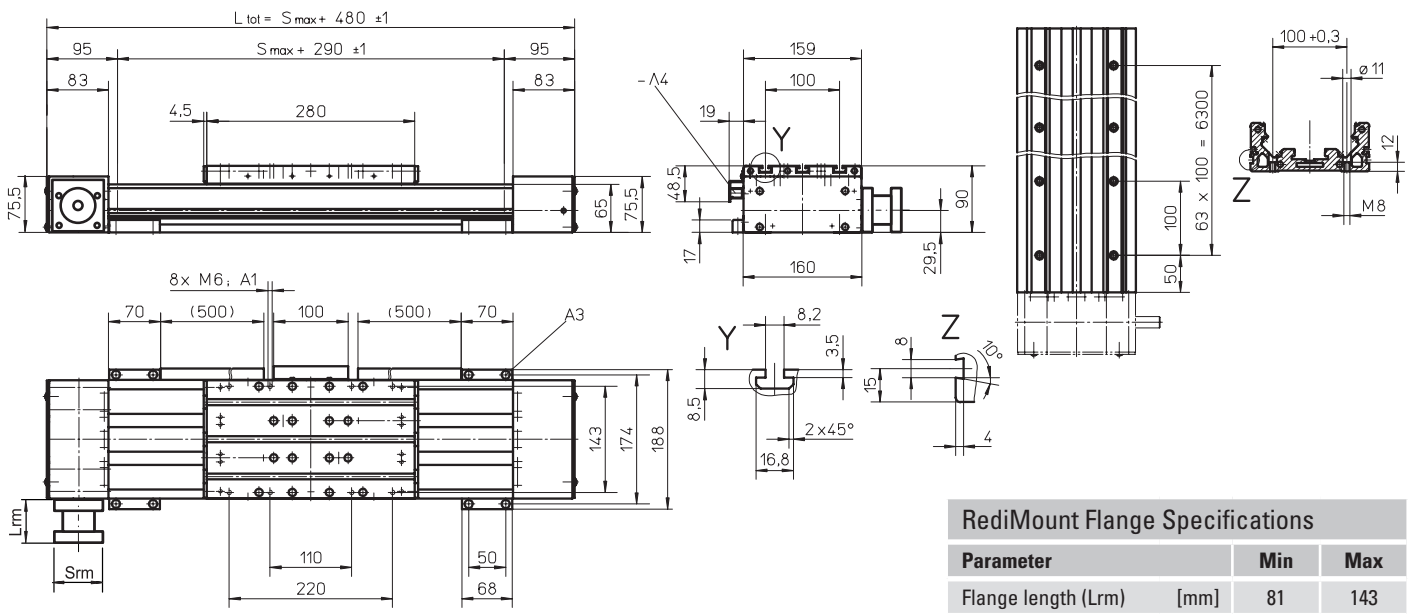
Definition of Forces



MLSH60Z

Belt Drive, Wheel Guide

Dimensions	Projection	Online Sizing & Selection!
METRIC		www.LinearMotioneering.com



A1: depth 10
 A2: depth 4
 A3: socket cap screw ISO4762-M6x20 8.8
 A4: ENF inductive sensor rail kit (optional - see page 150)

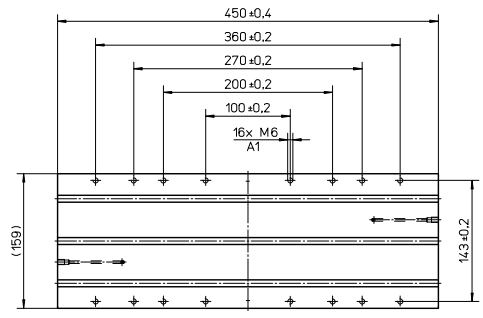
RediMount Flange Specifications			
Parameter		Min	Max
Flange length (Lrm)	[mm]	81	143
Flange square (Srm)	[mm]	90	200
Flange weight *	[kg]	5,58	

* Max. weight including coupling and fastening screws

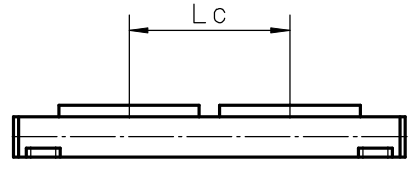
Performance Specifications for Units with Single Long Carriage (L)		
Parameter		MLSH60Z
Stroke length (Smax), maximum	[mm]	5500
Total length (L tot), maximum	[mm]	6150
Carriage length	[mm]	450
Dynamic load torque (My), maximum	[Nm]	585
Dynamic load torque (Mz), maximum	[Nm]	585
Weight	[kg]	6

Performance Specifications for Units with Double Standard Carriage (Z)		
Parameter		MLSH60Z
Stroke length (Smax), maximum	[mm]	5380
Total length (L tot), maximum	[mm]	6150
Minimum distance between carriages (Lc)	[mm]	290
Dynamic load (Fy), maximum	[N]	6000
Dynamic load (Fz), maximum	[N]	6000
Dynamic load torque (My), maximum	[Nm]	Lc ¹ × 3
Dynamic load torque (Mz), maximum	[Nm]	Lc ¹ × 3
Force required to move second carriage	[N]	10
Total length (L tot)	[mm]	Smax + 480 + Lc

¹ Value in mm



A1: depth 10





Linear Lifting Units

Overview

SpeedLine WHZ



Features

- Can be installed in any orientation
- Belt drive
- External wheel guides
- Speed up to 10 m/s
- Acceleration up to 40 m/s²

Parameter		WHZ50	WHZ80
Profile size (width × length)	[mm]	50 × 50	80 × 80
Stroke length (S _{max}), maximum	[mm]	1500	3000
Linear speed, maximum	[m/s]	6,5	10,0
Dynamic load (F _x), maximum	[N]	670	1480
Remarks		The load is always attached to the end of the lifting profile	The load is always attached to the end of the lifting profile
Page		112	114

WHZ50

Belt Drive, Wheel Guide

- » Ordering key - see page 191
- » Accessories - see page 117
- » Additional data - see page 175

General Specifications

Parameter	WHZ50
Profile size (w × h) [mm]	50 × 50
Type of belt	16 ATL 5
Carriage sealing system	none
Adjustable belt tensioning	the belt can be retensioned by the customer if necessary
Lubrication	lubrication of carriage and guide surfaces
Included accessories	-

Performance Specifications

for Units with Single Standard Carriage (N)¹

Parameter		WHZ50
Stroke length (Smax), maximum	[mm]	1500
Total length (L tot), maximum	[mm]	1850
Linear speed, maximum	[m/s]	6,5
Acceleration, maximum	[m/s ²]	40
Repeatability	[± mm]	0,05
Input speed, maximum	[rpm]	3250
Operation temperature limits	[°C]	0 – 80
Dynamic load (Fx), maximum	[N]	670 ²
Dynamic load (Fy), maximum	[N]	415
Dynamic load (Fz), maximum	[N]	730
Dynamic load torque (Mx), maximum	[Nm]	16
Dynamic load torque (My), maximum	[Nm]	87
Dynamic load torque (Mz), maximum	[Nm]	50
Drive shaft force (Frd), maximum ³	[N]	150
Input/drive shaft torque (Mta), maximum	[Nm]	17
Pulley diameter	[mm]	38,2
Stroke per shaft revolution	[mm]	120
Weight	[kg]	
of unit with zero stroke		4,50
of every 100 mm of stroke		0,42
of each drive station box		2,90

¹ See next page for deviating values of units with other carriage types.

² See diagram Force Fx.

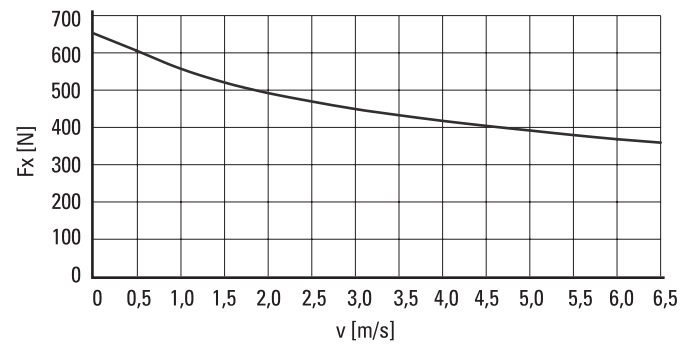
³ Only relevant for units without RediMount flange.

Carriage Idle Torque, (M idle) [Nm]

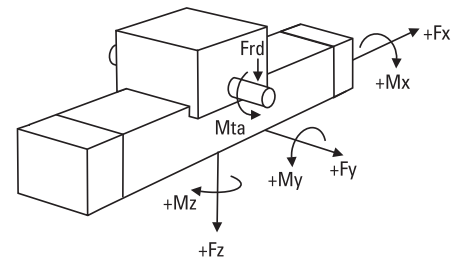
Input speed [rpm]	Idle torque [Nm]
150	1,7
1500	2,4
3250	3,8

M idle = the input torque needed to move the carriage with no load on it.

Force Fx as a Function of the Speed



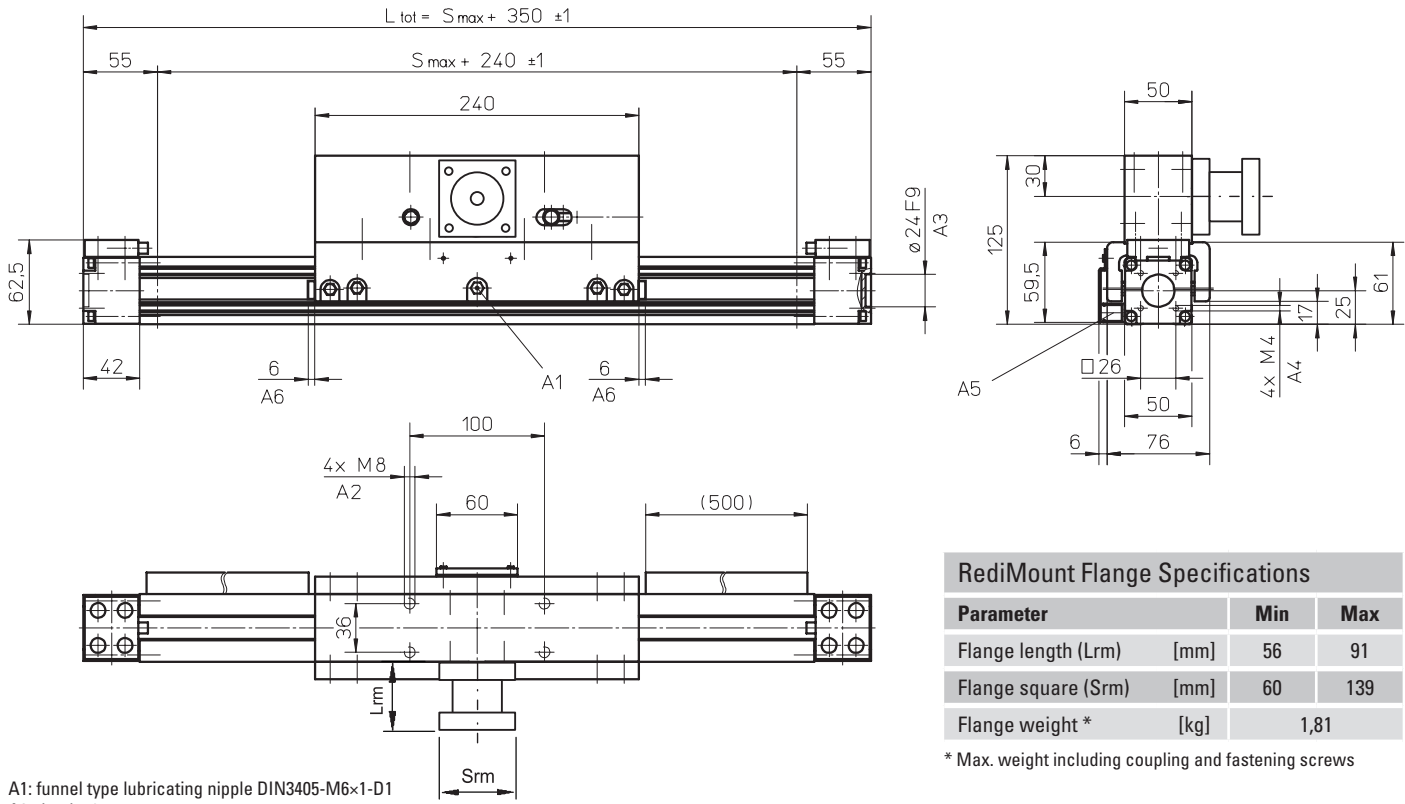
Definition of Forces



WHZ50

Belt Drive, Wheel Guide

Dimensions	Projection	Online Sizing & Selection!
METRIC		www.LinearMotioneering.com



- A1: funnel type lubricating nipple DIN3405-M6x1-D1
- A2: depth 16
- A3: depth 4
- A4: depth 8
- A5: ENF inductive sensor rail kit (optional - see page 150)
- A6: felt pad wipers on both sides of the carriage

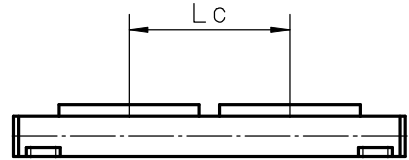
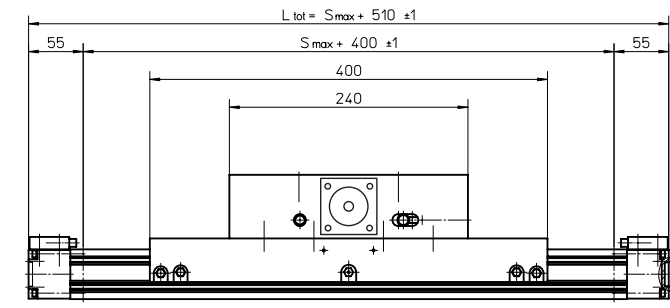
Performance Specifications for Units with Single Long Carriage (L)

Parameter	WHZ50
Stroke length (Smax), maximum [mm]	1500
Total length (L tot), maximum [mm]	2010
Carriage length [mm]	400
Dynamic load torque (My), maximum [Nm]	130
Dynamic load torque (Mz), maximum [Nm]	75
Weight [kg]	3,3

Performance Specifications for Units with Double Standard Carriage (Z)

Parameter	WHZ50
Stroke length (Smax), maximum [mm]	1400
Total length (L tot), maximum [mm]	2010
Minimum distance between carriages (Lc) [mm]	260
Dynamic load (Fy), maximum [N]	830
Dynamic load (Fz), maximum [N]	1460
Dynamic load torque (My), maximum [Nm]	LC ¹ × 0,415
Dynamic load torque (Mz), maximum [Nm]	LC ¹ × 0,73
Force required to move second carriage [N]	16
Total length (L tot) [mm]	Smax + 350 + Lc

¹ Value in mm



WHZ80

Belt Drive, Wheel Guide

» Ordering key - see page 191
 » Accessories - see page 117
 » Additional data - see page 175

General Specifications

Parameter	WHZ80
Profile size (w × h) [mm]	80 × 80
Type of belt	32 ATL 5
Carriage sealing system	none
Adjustable belt tensioning	the belt can be retensioned by the customer if necessary
Lubrication	lubrication of carriage and guide surfaces
Included accessories	-

Performance Specifications

for Units with Single Standard Carriage (N)¹

Parameter		WHZ80
Stroke length (Smax), maximum	[mm]	3000
Total length (L tot), maximum	[mm]	3410
Linear speed, maximum	[m/s]	10,0
Acceleration, maximum	[m/s ²]	40
Repeatability	[± mm]	0,05
Input speed, maximum	[rpm]	3000
Operation temperature limits	[°C]	0 – 80
Dynamic load (Fx), maximum	[N]	1480 ²
Dynamic load (Fy), maximum	[N]	882
Dynamic load (Fz), maximum	[N]	2100
Dynamic load torque (Mx), maximum	[Nm]	75
Dynamic load torque (My), maximum	[Nm]	230
Dynamic load torque (Mz), maximum	[Nm]	100
Drive shaft force (Frd), maximum ³	[N]	500
Input/drive shaft torque (Mta), maximum	[Nm]	50
Pulley diameter	[mm]	63,66
Stroke per shaft revolution	[mm]	200
Weight	[kg]	
of unit with zero stroke		11,20
of every 100 mm of stroke		0,91
of each drive station box		6,65

¹ See next page for deviating values of units with other carriage types.

² See diagram Force Fx.

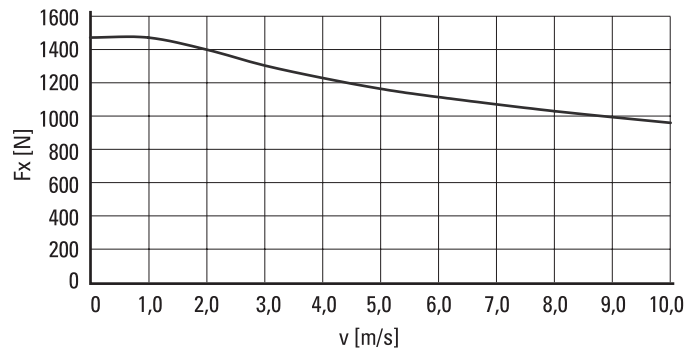
³ Only relevant for units without RediMount flange.

Carriage Idle Torque, (M idle) [Nm]

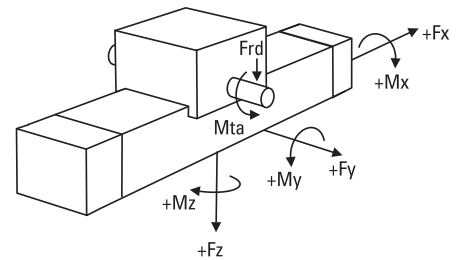
Input speed [rpm]	Idle torque [Nm]
150	2,4
1500	3,5
3000	5,0

M idle = the input torque needed to move the carriage with no load on it.

Force Fx as a Function of the Speed



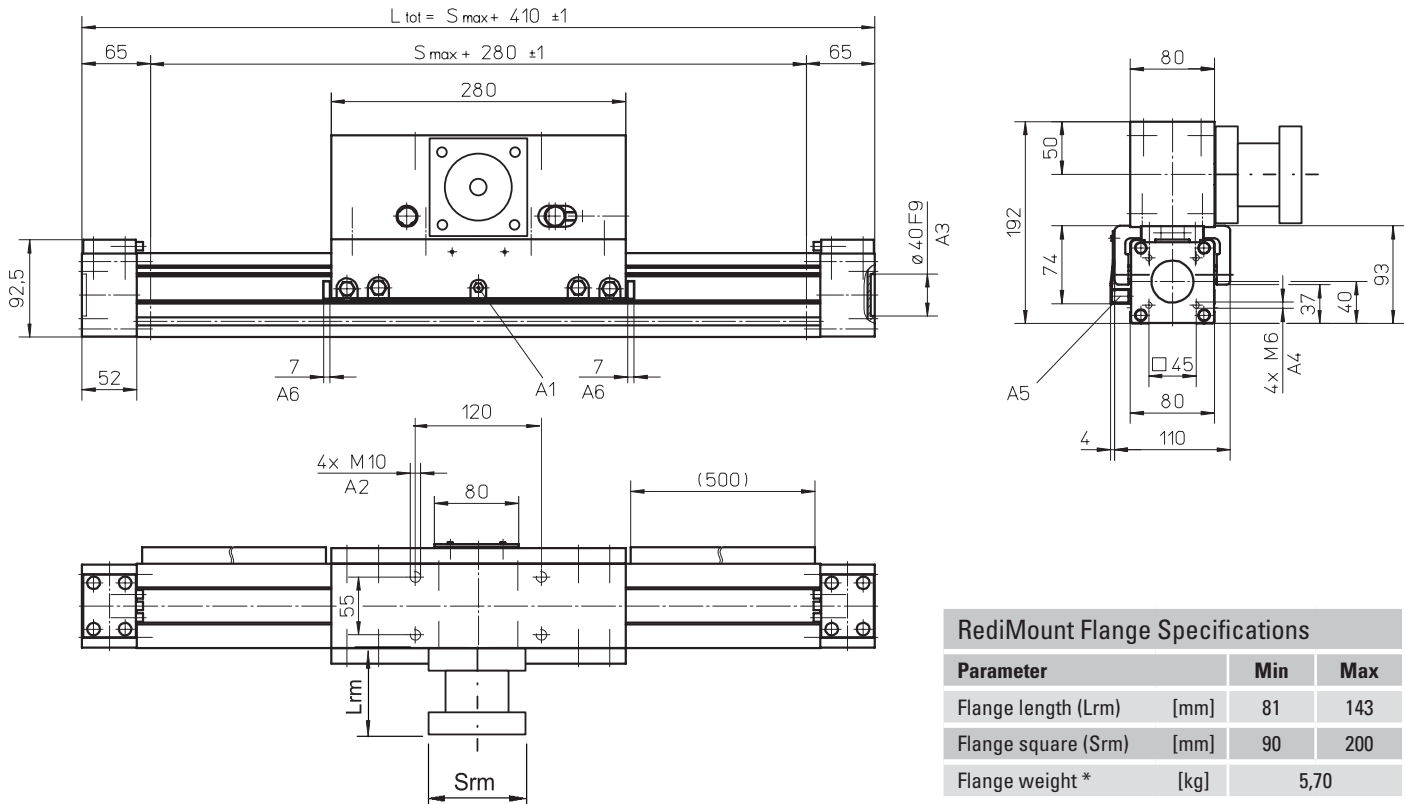
Definition of Forces



WHZ80

Belt Drive, Wheel Guide

Dimensions	Projection	Online Sizing & Selection!
METRIC		www.LinearMotioneering.com



- A1: funnel type lubricating nipple DIN3405-M6x1-D1
- A2: depth 4
- A3: depth 15
- A4: ENF inductive sensor rail kit (optional - see page 150)
- A5: felt pad wipers on both sides of the carriage

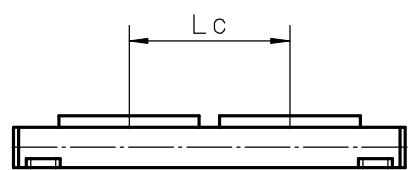
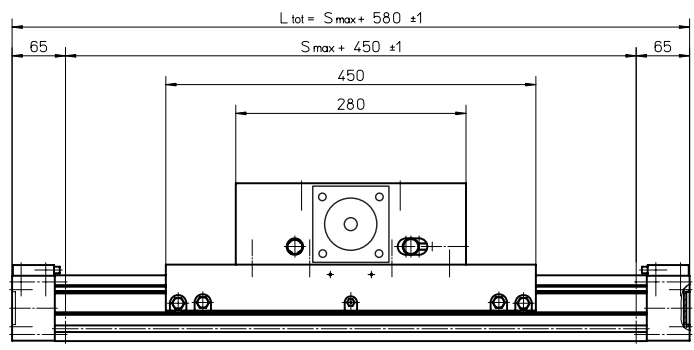
Parameter	Min	Max
Flange length (Lrm) [mm]	81	143
Flange square (Srm) [mm]	90	200
Flange weight * [kg]	5,70	

* Max. weight including coupling and fastening screws

Parameter	WHZ80
Stroke length (Smax), maximum [mm]	3000
Total length (L tot), maximum [mm]	3580
Carriage length [mm]	450
Dynamic load torque (My), maximum [Nm]	345
Dynamic load torque (Mz), maximum [Nm]	150
Weight [kg]	7,4

Parameter	WHZ80
Stroke length (Smax), maximum [mm]	2870
Total length (L tot), maximum [mm]	3580
Minimum distance between carriages (Lc) [mm]	300
Dynamic load (Fy), maximum [N]	1764
Dynamic load (Fz), maximum [N]	4200
Dynamic load torque (My), maximum [Nm]	Lc ¹ × 0,882
Dynamic load torque (Mz), maximum [Nm]	Lc ¹ × 2,1
Force required to move second carriage [N]	20
Total length (L tot) [mm]	Smax + 410 + Lc

¹ Value in mm
² Second carriage is always a long carriage





Accessories

Accessory Index

Mounting Kits.....page 118

- Mounting clamps 118
- Mounting clamps for multi axis systems 120
- Mounting plates for multi axis systems 121
- Adapter plates 121
- T-slot bolts and nuts..... 122

Cover and Protection Kits.....page 123

- Felt pad wipers type FA..... 123
- Shaft protection cover..... 123
- Protective bellows 124
- Protective shrouds..... 125
- Environment protection type S1 and S2..... 126

Motors, Gears and Transmission Kits.....page 128

- Worm gears type TBS40..... 128
- Belt gears type RT and BGM 130
- Planetary gears type Micron DT and DTR..... 136
- Intermediate shafts type VWZ and DSP 138
- Brakes..... 142

Electrical Feedback Devices.....page 143

- Limit switch brackets and limit switches..... 143
- Inductive and magnetic sensors and sensor brackets..... 144
- Encoders 147
- Limit switch kits type ES..... 148
- Sensor rails and kits type ENT, ENF and ENK..... 150
- Encoder kits type ADG..... 152

Non-driven Linear Motion Systems.....page 154

- WHxx non-driven units..... 154
- WMxx non-driven units..... 156
- Mxx non-driven units..... 159

Non-RediMount Linear Motion Systems.....page 160

- WMxx and WVxx non-RediMount units..... 160
- MLSMxx non-RediMount units..... 162
- Mxx ball screw driven non-RediMount units 163
- WH40 non-RediMount units..... 164
- WMxxZ non-RediMount units 165
- Mxx belt driven non-RediMount units..... 166
- MLSM80Z non-RediMount units 167
- M50 belt driven non-RediMount units..... 168
- WHxx non-RediMount units..... 168
- MLSH60Z non-RediMount units 170
- WHZxx non-RediMount units 170

Accessories

Mounting Kits

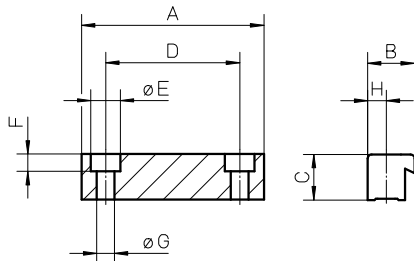
Mounting Clamps Type N1 and N2 (single clamp)¹

Unit type	N1	N2	A	B	C	D	øE	F	øG	H	Screws	Ms [Nm]
WH40	890 885 0001	–	54	16	9,5	40	10	5,7	5,5	7	ISO4762-8.8	5,4
WH50	890 885 0001	–	54	16	9,5	40	10	5,7	5,5	7	ISO4762-8.8	5,4
WH80	890 190 02	–	68	17,5	17	50	11	6,5	6,6	7	ISO4762-8.8	9
WH120	890 192 13	–	80	25	18	50	15	8,5	9	10	ISO4762-8.8	20
WM40	890 885 001	–	54	16	9,5	40	10	5,7	5,5	7	ISO4762-8.8	5,4
WM60 / WV60	890 190 02	–	68	17,5	17	50	11	6,5	6,6	7	ISO4762-8.8	9
WM80 / WV80	890 190 02	–	68	17,5	17	50	11	6,5	6,6	7	ISO4762-8.8	9
WM60Z / WM80Z	890 190 02	–	68	17,5	17	50	11	6,5	6,6	7	ISO4762-8.8	9
WM120 / WV120	890 192 13	–	80	25	18	50	15	8,5	9	10	ISO4762-8.8	20
MLS60	890 190 02	890 192 26	68/120	17,5	17	50	11	6,5	6,6	7	ISO4762-8.8	9
MLS80	890 192 13	890 192 31	80/200	25	18	50	15	8,5	9	10	ISO4762-8.8	20

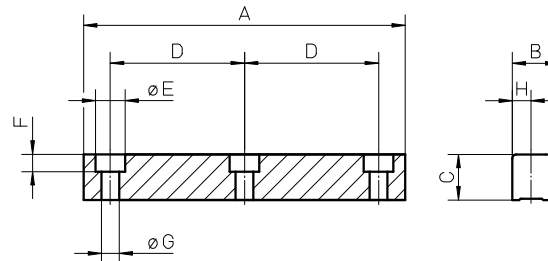
¹ Screws included in the shipment of above clamps

Ms = tightening torque of screws

N1



N2



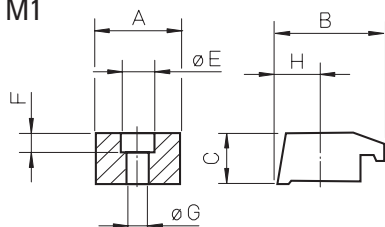
Mounting Clamps Type M1 and M2 (single clamp)¹

Unit type	M1	M2	A	B	C	D	øE	F	øG	H	Screws	Ms [Nm]
M50 ¹	D312 248	–	25	30	20	–	–	–	6,5	14	ISO4762-8.8	9,4
M55 ¹	D313 403	D313 402	25/56	25,5	10,7	41	9,5	5,3	5,5	10,2	ISO4762-8.8	5,5
M75 ¹	D312 747	D312 748	30/75	28,5	15	60	14	8,5	8,5	11	ISO4762-8.8	23
M100 ¹	D312 339	D312 334	45/92	46,5	22	60	17	10,5	10,5	20	ISO4762-8.8	45

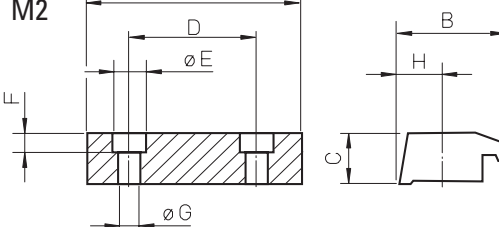
¹ No screws included in the shipment of above clamps

Ms = tightening torque of screws

M1



M2



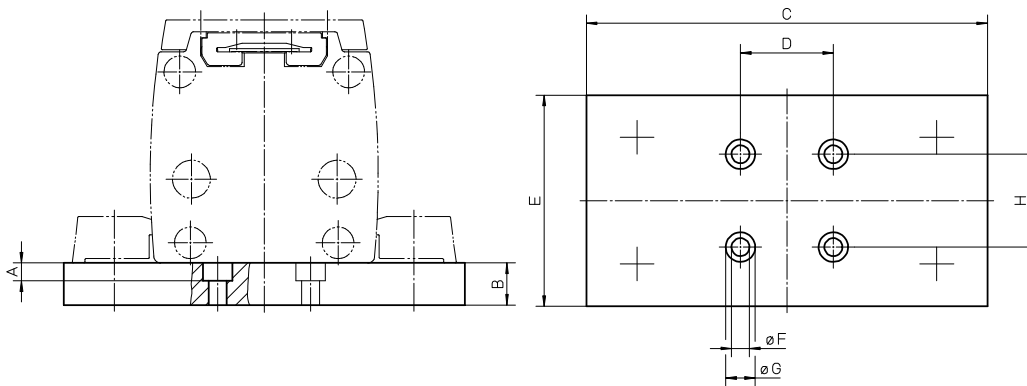
Accessories

Mounting Kits

Mounting Clamps Type M2 with Plate¹

Unit type	p/n	A	B	C	D	E	øF	øG	H
M50	D312 117	7	20	105	35	30	6,5	11	–
M55	D313 474	8,5	15	100	44	70	8,5	14	44
M75	D312 718	8,5	15	134	44	80	8,5	14	44
M100	D312 317	8,5	20	190	44	100	8,5	14	44

¹two mounting clamps of version M2 (see page 118) and screws to connect these to the plate are included in shipment



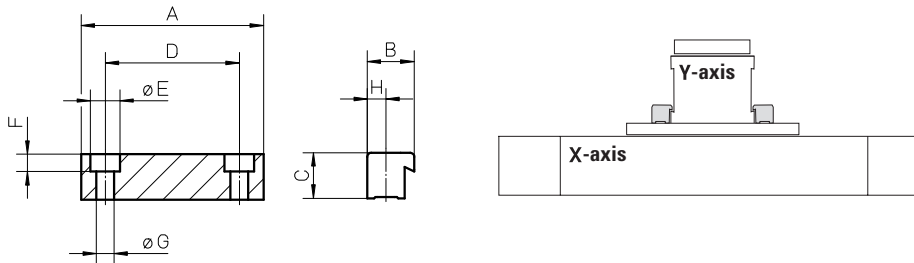
Accessories

Mounting Kits

Mounting Clamps Type N1 for Multi Axis Systems¹

Unit type X-axis	Unit type Y-axis	Clamps	A	B	C	D	øE	F	øG	H
WM40 / WH40	WM40 / WH40	on request	–	–	–	–	–	–	–	–
WM60	WM60	890 191 94	58	17,5	17	40	11	6,5	6,6	7

¹ all necessary screws are included in the shipment



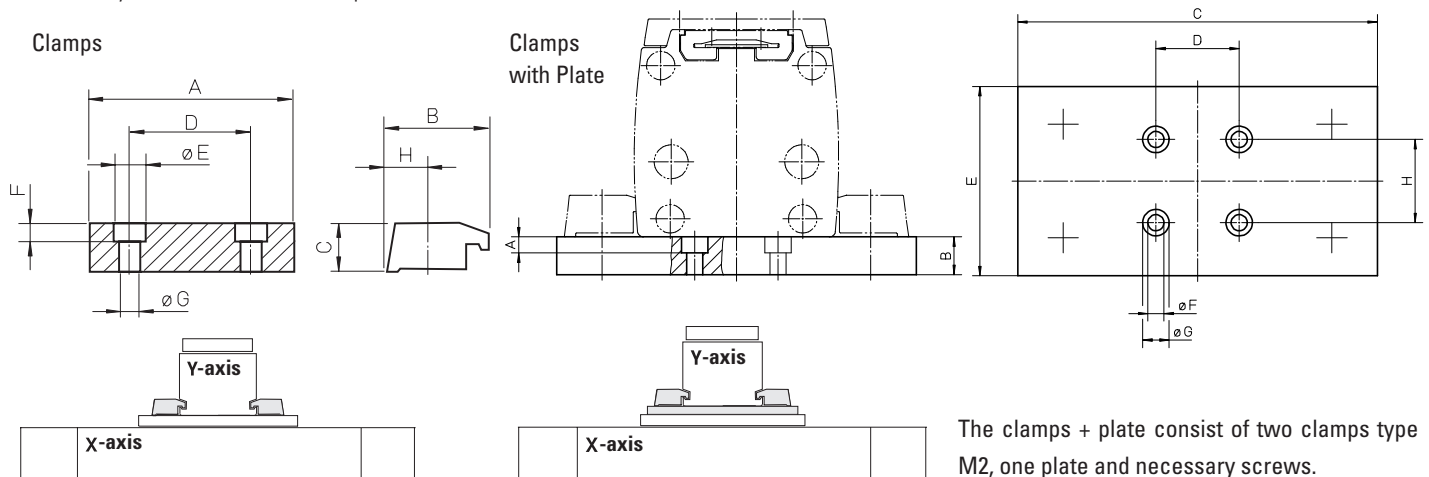
Mounting Clamps Type M2 for Multi Axis Systems¹

Unit type X-axis	Unit type Y-axis	p/n	A	B	C	D	øE	F	øG	H
M55	M55	D313 424	56	25,5	10,7	41	9,5	5,3	5,5	10,2
M75	M75	D312 719	75	28,5	15	60	14	8,5	8,5	11
M100	M100	D312 304	92	46,5	22	60	17	10,5	10,5	20

Mounting Clamps Type M2 with Plate for Multi Axis Systems¹

Unit type X-axis	Unit type Y-axis	p/n	A	B	C	D	E	øF	øG	H
M55	M75	D313 470	5,5	15	134	76	80	5,5	9,5	41
M75	M55	D313 060	8,5	15	134	106	80	8,5	14	60
M75	M100	D313 062	8,5	20	190	106	100	8,5	14	60
M100	M75	D313 292	10,5	20	190	142	100	10,5	17	60

¹ all necessary screws are included in the shipment



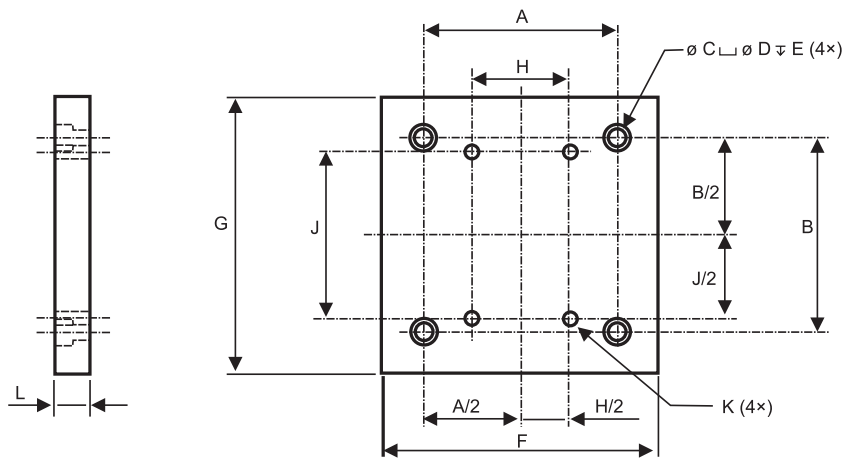
The clamps + plate consist of two clamps type M2, one plate and necessary screws.

Accessories

Mounting Kits

Mounting Plates for Multi Axis Systems

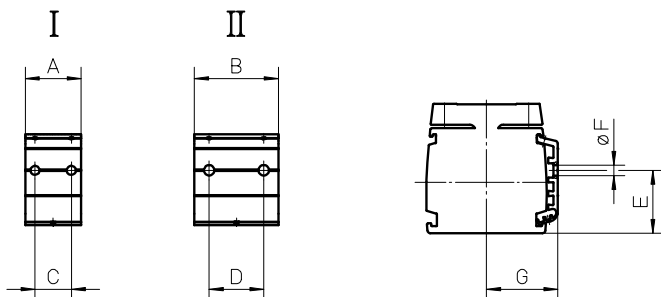
Unit type X-axis	Unit type Y-axis	p/n	A	B	C	D	E	F	G	H	J	K	L
2HB10	2HB10	2HXYP10-10	70	70	5,5	9	6	100	100	35	75	M5 x 0,8 - 6H	12,7
2HB20	2HB10	2HXYP20-10	145	145	10,5	16,5	11	200	200	35	75	M5 x 0,8 - 6H	22
2HB20	2HB20	2HXYP20-10	145	145	10,5	16,5	11	200	200	85	120	M8 x 1,25 - 6H	22



Combinations for other units are available. Contact customer support for details.

Adapter Plates

Unit type	I	II	A	B	C	D	E	øF	G
M55	D313 422	D313 423	40	60	20	38	25,5	6,5	37
M75	D312 746	-	40	-	26	-	45	6,5	51
M75	-	D312 745	-	60	-	39	45	7,5	51
M100	D312 338	-	40	-	26	-	69	6,5	62
M100	-	D312 337	-	60	-	39	69	7,5	62



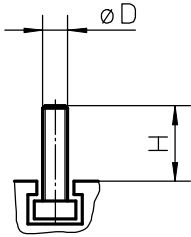
Adapter plates are fitted in the grooves along the profile and can be used to attach sensors, switches, cable ducts etc. to the unit.

Accessories

Mounting Kits

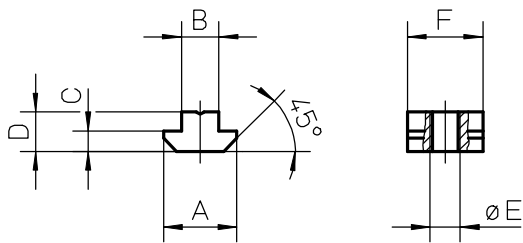
T-slot Bolts

Unit type	p/n	øD	H
M50	D312 221	M5	14



T-slot Nuts

Unit type	p/n	A	B	C	D	øE	F
MLS60	920 303 0037	16	8	4	6	M6	16
MLS80	920 303 0039	19,5	10	5,5	10,5	M8	20
WH120	911 044 19	15	10	6	12	M8	15
WM120	911 044 19	15	10	6	12	M8	15
2RB12, 2HB10, 2HB20	TNUT-01-M3	7	4	1,75	3	M3	9
2RB16, 2HB10	TNUT-02-M4	9,5	5,5	2,25	4	M4	12
2RB12	TNUT-03-M4	12	7	2,5	5	M4	15
2RB16, 2HB20	TNUT-04-M4	16,5	7,9	4,8	6	M4	16
2RB16, 2HB20	TNUT-04-M5	16,5	7,9	4,8	6	M5	16
2RB16, 2HB20	TNUT-04-M6	16,5	7,9	4,8	6	M6	16

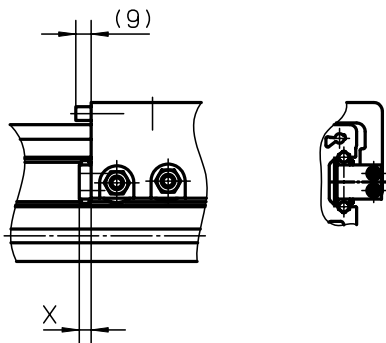


Accessories

Cover and Protection Kits

FA Felt Pad Wiper

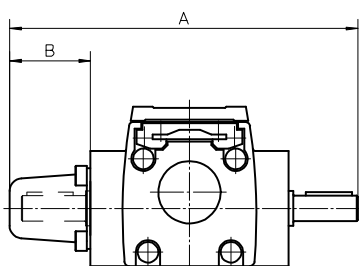
Unit type	Number of carriages on the unit	p/n	X
WH50	1	890 885 0064	6
WH50	2	2 × 890 885 0064	6
WH80	1	890 890 0069	7
WH80	2	2 × 890 890 0069	7
WH120	1	890 895 0058	8
WH120	2	2 × 890 895 0058	8
WHZ50	1	890 885 0064	6
WHZ50	2	2 × 890 885 0064	6
WHZ80	1	890 890 0069	7
WHZ80	2	2 × 890 890 0069	7



The felt pad wipers remove dust and dirt from the guides and are located on the carriage(s). They may increase the driving torque slightly but do not reduce the stroke of the unit. The felt pad wipers comes mounted from factory as standard on all WH and WHZ units but can also be ordered here as a spare part.

Shaft Protection Cover

Unit type	p/n	A	B
M50	D312 201	126	35
M55	D312 201	151	35
M75	D700 178	198	45
M100	D700 178	202	45



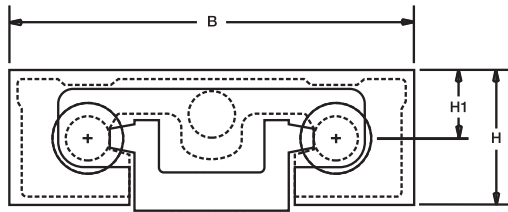
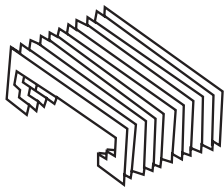
The shaft protection cover is used to cover shafts which are not being used. The covers are fitted by the customer.

Accessories

Cover and Protection Kits

Protective Bellows type 2D

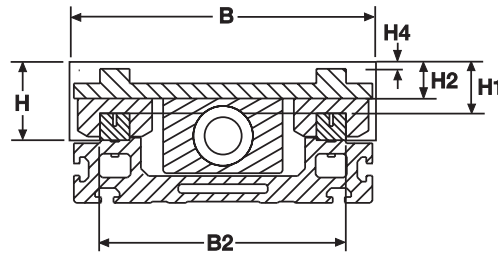
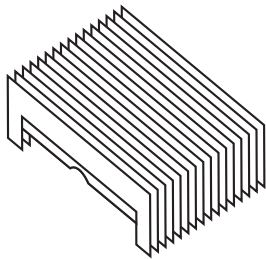
Unit type	p/n	H	H1	B
2DB08	BEL-2DB-08	48	34	130
2DB12	BEL-2D-12	61	36,5	152,5
2DB12	BEL-2D-16	73	43	190,5



Bellows protect the unit from dirt and dust. Note that the bellows option reduces the available stroke of the unit by 28%. Bellows can be ordered and mounted at the factory - see ordering key. Bellows can also be ordered separately and fitted by the customer. In that case, order two pieces of bellows where the length of each bellows piece = stroke length of the unit \times 0.86.

Protective Bellows type 2H

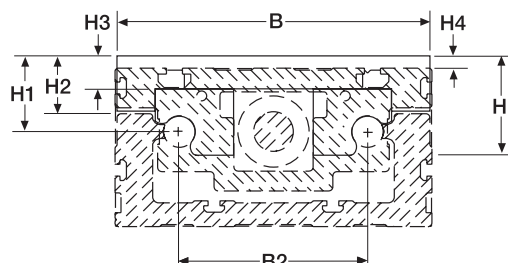
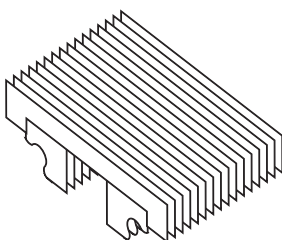
Unit type	p/n	B	B2	H	H1	H2	H4
2HB10	BEL-2H-10	103	81	26	11	10	0
2HB20	BEL-2H-20	199	167	48	30	15	5



Bellows protect the unit from dirt and dust. Note that the bellows option reduces the available stroke of the unit by 28%. Bellows can be ordered and mounted at the factory - see ordering key. Bellows can also be ordered separately and fitted by the customer. In that case, order two pieces of bellows where the length of each bellows piece = stroke length of the unit \times 0.86.

Protective Bellows type 2R

Unit type	p/n	B	B2	H	H1	H2	H3	H4
2RB12	BEL-2R-12	128	75	48	37	29	15	12
2RB16	BEL-2R-16	158	95	52	43	30	15	10



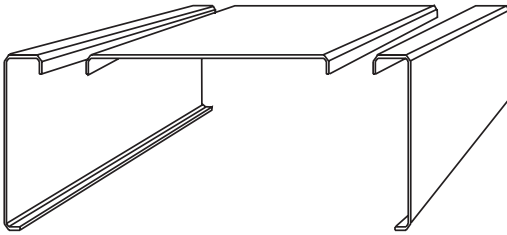
Bellows protect the unit from dirt and dust. Note that the bellows option reduces the available stroke of the unit by 28%. Bellows can be ordered and mounted at the factory - see ordering key. Bellows can also be ordered separately and fitted by the customer. In that case, order two pieces of bellows where the length of each bellows piece = stroke length of the unit \times 0.86.

Accessories

Cover and Protection Kits

Protective Shrouds

Unit type	
2HB10	see ordering key of the unit for order or www.LinearMotioneering.com
2HB20	see ordering key of the unit for order or www.LinearMotioneering.com



The protective shrouds are made of metal and protect the drive mechanism of the unit from dust and dirt but leave the guides unprotected. Shrouds do not reduce the stroke of the unit but they will add 4 mm to the width of the unit. Shrouds are ordered mounted from factory and are stated in the ordering key of the unit.



Accessories

Cover and Protection Kits

Environment Protection Option Type S1 and S2, compatibility table

Unit type	Drive type	Guide type	S1	S2	Ordering
M55	ball screw	slide	•		see ordering key of the unit for order
M55	belt drive	slide	•	•	see ordering key of the unit for order
		ball	•		see ordering key of the unit for order
M75	ball screw	slide	•		see ordering key of the unit for order
M75	belt drive	slide	•	•	see ordering key of the unit for order
		ball	•		see ordering key of the unit for order
M100	ball screw	slide	•		see ordering key of the unit for order
M100	belt drive	slide	•	•	see ordering key of the unit for order
		ball	•		see ordering key of the unit for order
WM60 / WM80 / WM120	ball screw	ball	•		see ordering key of the unit for order
WV60 / WV80 / WV120	ball screw	no guide	•		see ordering key of the unit for order
WH50 / WH80 / WH120	belt drive	wheel	•	•	see ordering key of the unit for order
WHZ50 / WHZ80	belt drive	wheel	•		see ordering key of the unit for order

The S1 and S2 environment protection options are available for some of the units as per table above. All performance data and the life expectancy are the same as for standard units except for WH and WHZ units (contact customer service for more information). S1 can be ordered for both ball screw and belt driven units with ball, slide or wheel guides while S2 only is possible for belt driven units with slide or wheel guides. Never use chemical agents and/or cleaning detergents before contacting your local Thomson customer service for advice.

S1 - Wash down protection

Typical places where S1 is used are in slaughter houses, dairy plants, food plants or in any other light wash down application.

S2 - Enhanced wash down protection

Typical places where S2 is used are in moderately wet areas such as in paper mills, galvanizing equipment, food industries or in any other harsh environment application where enhanced wash down capabilities are required.

Accessories

Cover and Protection Kits

Environment Protection Options Type S1 and S2, technical specification

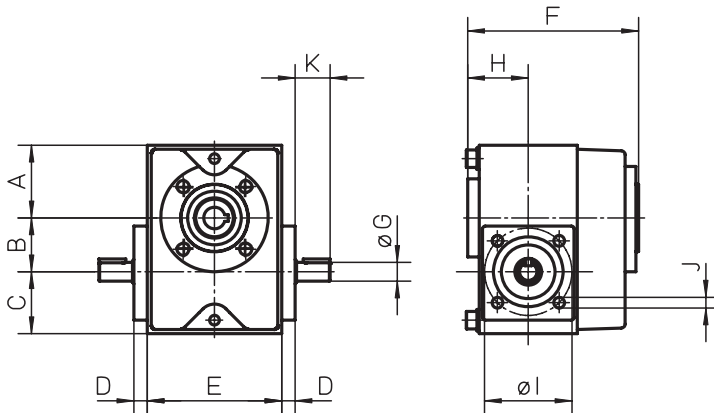
Item	S1	S2
External screws, bolts and nuts	stainless material class A2 or better	stainless material class A4 or better
Internal screws, bolts and nuts	standard material	stainless material class A2 or better
Drive shaft, ball screw driven units	standard material	-
Drive shaft, belt driven units	stainless material SS2333 or better	stainless material SS2343 or better
Tension wheel shaft	standard material	stainless material SS2333 or better
Bearings type	standard bearings	2RS
Bearing sealings, belt driven units	radial sealings	radial sealings
Surface treatment of machined extruded aluminum parts	none	anodizing
Surface treatment of machined casted aluminum parts	none	anodizing
Cam rollers and idler shafting (WH and WHZ units)	standard material	stainless material
Belt retainer (WH units)	none	stainless material

Accessories

Gears and Transmission Kits

TBS40 Worm Gears, dimensions

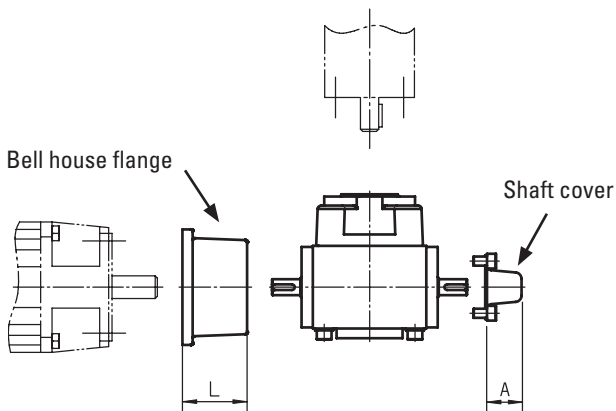
Gear	A	B	C	D	E	F	øG	H	øI	J	K
TBS40	54	40	46	10	100	125	14j6	45	65	M8 (4×)	25



The worm gear is installed directly to the unit and requires no intermediate coupling between the two.

TBS40 Worm Gears, compatibility table

Unit	TBS40	IEC71B14	IEC80B14	A	L
M75	•	•		32	58
M75	•		•	32	68
M100	•	•		32	58
M100	•		•	32	68



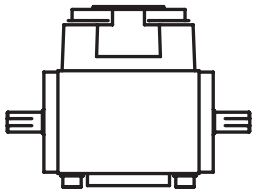
To be able to install the gear to the motor a bell house flange must be used between the gear and the motor. The bell house flange, which includes a matching coupling, is ordered separately. A shaft cover can be ordered to cover the second primary shaft on the gear in case it is not being used.

Accessories

Gears and Transmission Kits

TBS40 Worm Gears, ordering key

	1	2	3
Example	TBS40	-3	-216
1. Type and size of worm gear TBS40 = TBS40 worm gear	2. Gear ratio -3 = 3:1 -5,5 = 5,5:1 -7,5 = 7,5:1 -10 = 10:1 -15 = 15:1 -20 = 20:1 -24 = 24:1 -30 = 30:1 -40 = 40:1 -48 = 48:1 -60 = 60:1		3. Fixed code -216



Bell house flanges for TBS40 Worm Gears, part numbers

Motor size	p/n
IEC71B14	D701 011
IEC80B14	D701 015



Shaft Cover for TBS40 Worm Gears, part numbers

Gear type	p/n
TBS40	D701 020



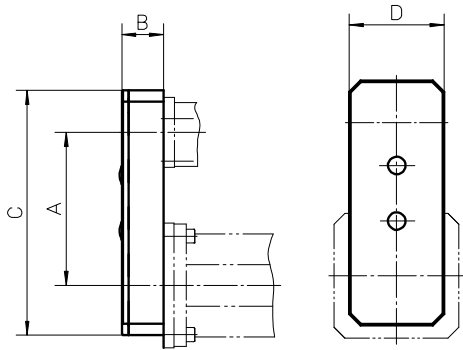
Accessories

Gears and Transmission Kits

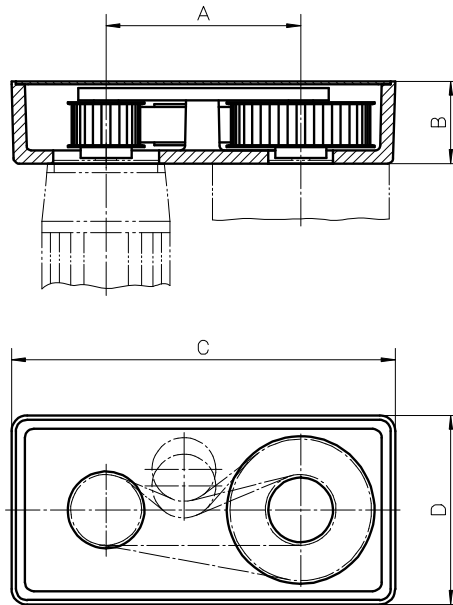
RT Belt Gears, dimensions

Gear	A	B	C	D
RT40	110	30	176	68
RT60	175	74	345	170
RT80	175	74	345	170

RT40



RT60/80



RT Belt Gears, data

Gear	i	n_{max} [rpm]	M_{max} [Nm]	M_{idle} [Nm]	η	J [kgm ²]	Weight [kg]
RT40	1:1	3000	1,75	0,3	0,80	0,000025	0,62
RT60	1:1	3000	15	0,7	0,85	0,000438	5,6
RT60	2:1	3000	15	0,7	0,85	0,001011	7,1
RT80	1:1	3000	30	0,7	0,85	0,000465	5,5
RT80	2:1	3000	30	0,7	0,85	0,001038	7

i = gear ratio

n_{max} = max. input speed

M_{max} = max. input torque

M_{idle} = idle torque

η = efficiency factor

J = inertia

Accessories

Gears and Transmission Kits

RT Belt Gears, compatibility table

Gear	WH40 / WM40	WM60 / WV60 / MLSM60D	WH80 / WM80 / WV80 / WM120 / WV120 / MLSM60D / MLSM80D
RT40	•		
RT60		•	
RT80			•

RT Belt Gears, ordering key

	1	2	3	4	5
Example	RT80	-2	-•••	-P-N	-05

1. Type and size of belt gear

RT40 = RT belt gear size 40
 RT60 = RT belt gear size 60
 RT80 = RT belt gear size 80

2. Gear ratio

-1 = 1:1
 -2 = 2:1

3. Motor code

- xxy = alphanumeric motor code (e.g. -AK5).
 There are several motors that fit each gear and the list of suitable motors is continuously being updated. Please contact customer support for help to see which motors are currently are on the list or if your preferred motor can be added to the list.

4. Type of mounting

-P-M = gear supplied mounted to the unit
 -P-N = gear supplied unmounted

5. Compatible unit type

-01 = WH40
 -02 = WH50
 -03 = WH80
 -04 = WH120
 -05 = WM40
 -06 = WM60
 -07 = WM80
 -08 = WM120
 -09 = WV60
 -10 = WV80
 -11 = WV120
 -12 = WHZ50
 -13 = WHZ80
 -16 = MLSH60Z
 -18 = MLSM80Z
 -19 = MLSM60D
 -20 = MLSM80D

RT belt gears can only be used on units without a RediMount flange.

Accessories

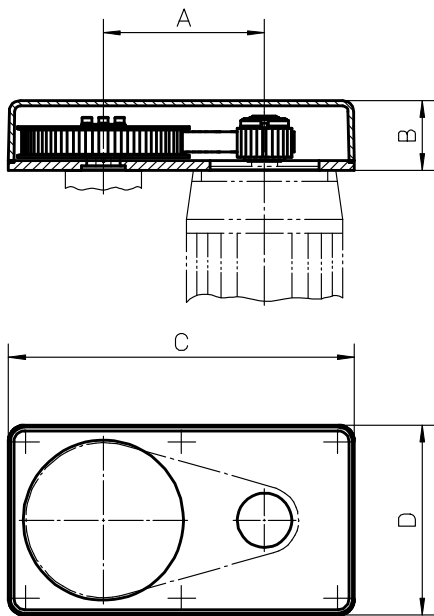
Gears and Transmission Kits

BGM Belt Gears, dimensions

Gear	A	B	C	D	øE	F	G	H	I	J
BGM09	118,7	52	255	140	20 H9	95	115	60	–	–
BGM41	155,2	70	305	165	25 H9	122	147	70	–	–
BGM81	200	73	399	224	30 H9	134	159	90	90H14	170

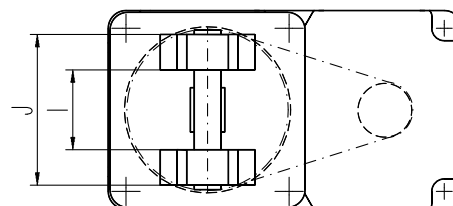
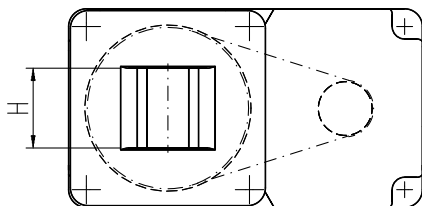
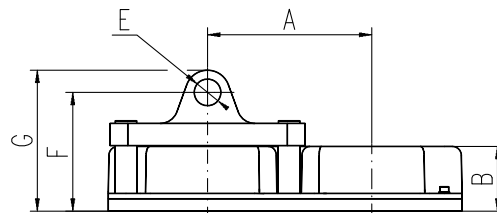
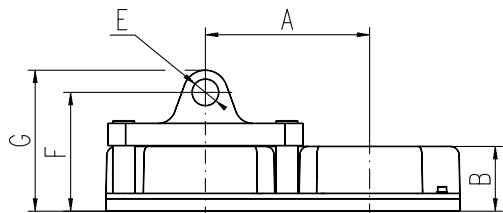
BGM09/41/81 - WITHOUT CLEVIS OPTION

BGM belt gears can only be used on units without a RediMount flange. The belt gear comes in parts and is assembled to the unit and motor by the customer.



BGM09/41/81 - WITH CLEVIS OPTION TYPE S

BGM81 - WITH CLEVIS OPTION TYPE R



Accessories

Gears and Transmission Kits

BGM Belt Gears, data

Gear	i	n_{max} [rpm]	M_{max} [Nm]	η	J [kgm ²]	Weight [kg]
BGM09	1,04:1	4000	4,1	0,85	0,000102	2
BGM09	1,85:1	4000	4,1	0,85	0,000112	2,1
BGM09	2,85:1	4000	4,1	0,85	0,000213	2,5
BGM41	1:1	4000	22,0	0,85	0,000438	3,4
BGM41	2:1	4000	15,8	0,85	0,000342	3,7
BGM41	3:1	4000	16,7	0,85	0,000583	4,6
BGM81	1:1	4000	29,0	0,85	0,000836	12,1
BGM81	2,25:1	4000	32,3	0,85	0,001051	12,9
BGM81	3,13:1	4000	30,3	0,85	0,001439	14

i = gear ratio η = efficiency factor
 n_{max} = max. input speed J = inertia
 M_{max} = max. input torque

BGM Belt Gears, compatibility table

Gear	WM/V/Z60	WM/V/80	WM/V/120	MLSM80D	M50	M55	M75	M100
BGM09	•				•	•	•	
BGM41	•	•					•	•
BGM81			•	•				

BGM Belt Gears, ordering keys

See next page for ordering keys.



Accessories

Gears and Transmission Kits

BGM 09 Belt Gears, ordering key

	1	2	3	4	5	6	7	8
Example	BGM09	-2	-CC	063	P	050	X	+XX

<p>1. Type and size of belt gear BGM09 = BGM belt gear size 09</p> <p>2. Gear ratio -1 = 1,04:1 -2 = 1,85:1 -3 = 2,85:1</p> <p>3. Type of couplings -CC = conical couplings</p>	<p>4. Motor size¹ 063 = IEC 63 B14 071 = IEC 71 B14 S80 = servo motor size 80 AK4 = servo motor type AKM 4</p> <p>5. Type of mounting P = standard</p> <p>6. Compatible unit type W06 = WM60, WV60 050 = M50 060 = M55 070 = M75</p>	<p>7. Clevis option X = no clevis option S = clevis option type S</p> <p>8. Protection +XX = standard +S1 = wash down protection</p> <p>¹This is only a selection of all motors that fit this gear. Please contact customer support to see if your preferred motor fits the gear.</p>
--	--	--

BGM 41 Belt Gears, ordering key

	1	2	3	4	5	6	7	8
Example	BGM41	-1	-CC	071	P	070	X	+S1

<p>1. Type and size of belt gear BGM41 = BGM belt gear size 41</p> <p>2. Gear ratio -1 = 1:1 -2 = 2:1 -3 = 3:1</p> <p>3. Type of couplings -CC = conical couplings</p>	<p>4. Motor size¹ 071 = IEC 71 B14 080 = IEC 80 B14 S80 = servo motor size 80 S95 = servo motor size 95 AK5 = servo motor type AKM 5</p> <p>5. Type of mounting P = standard</p> <p>6. Compatible unit type W06 = WM60, WV60 W08 = WM80, WV80 070 = M75 10B = M100 (MF/G10B) 10K = M100 (MF/G10K/C/D)</p>	<p>7. Clevis option X = no clevis option S = clevis option type S</p> <p>8. Protection +XX = standard +S1 = wash down protection</p> <p>¹This is only a selection of all motors that fit this gear. Please contact customer support to see if your preferred motor fits the gear.</p>
---	---	--

Accessories

Gears and Transmission Kits

BGM 81 Belt Gears, ordering key

	1	2	3	4	5	6	7	8
Example	BGM81	-1	-CC	090	P	M8D	X	+XX

1. Type and size of belt gear

BGM81 = BGM belt gear size 81

2. Gear ratio

-1 = 1:1

-2 = 2,25:1

-3 = 3,13:1

3. Type of couplings

-CC = conical couplings

4. Motor size¹

090 = IEC 90 B14

100 = IEC 100/121 B14

A20 = servo motor size A200

AK6 = servo motor type AKM 6

5. Type of mounting

P = standard

6. Compatible unit type

W12 = WM120, WV120

M8D = MLSM80D

7. Clevis option

X = no clevis option

S = clevis option type S

R = clevis option type R

8. Protection

+XX = standard

+S1 = wash down protection

¹This is only a selection of all motors that fit this gear. Please contact customer support to see if your preferred motor fits the gear.

Accessories

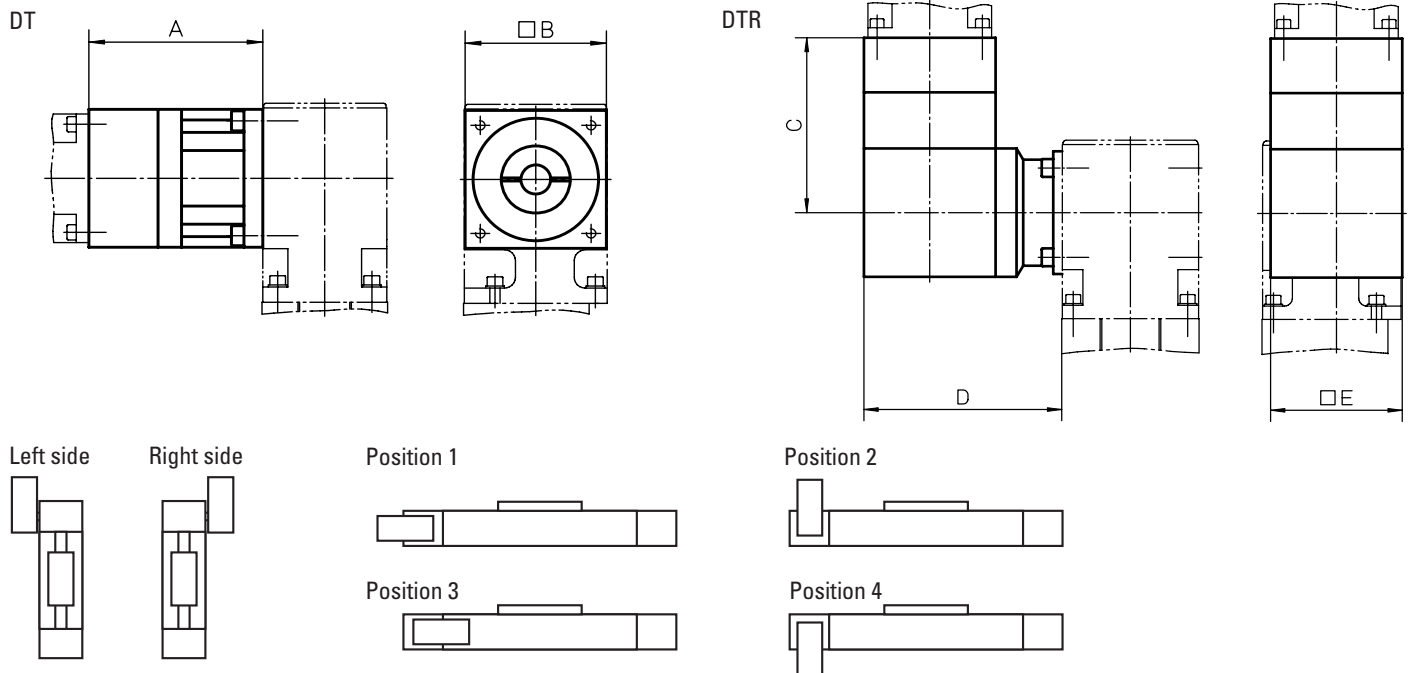
Gears and Transmission Kits

Micron DT, DTR Planetary Gears, compatibility and dimensions

Unit	Gear	i	□A	B	C	□D	E	Weight [kg]	Backlash [arc min]	Efficiency [%]
WH50	DT60-SS	3:1 - 10:1	89,7	60	–	–	–	1	8	90
	DT60-DS	15:1 - 100:1	106,9	60	–	–	–	1,2	9	85
	DTR60-SS	5:1 - 50:1	–	–	110,2	104,1	60	2,5	9	90
	DTR60-DS	60:1 - 500:1	–	–	127,3	104,1	60	2,7	9	85
WH80	DT90-SS	3:1 - 10:1	110,9	90	–	–	–	3	9	90
	DT90-DS	15:1 - 100:1	133,5	90	–	–	–	3,7	9	85
	DTR90-SS	5:1 - 50:1	–	–	145,4	138,2	90	4,8	9	90
	DTR90-DS	60:1 - 500:1	–	–	168,0	138,2	90	5,5	9	85
WH120	DT115-SS	3:1 - 10:1	136,4	110	–	–	–	12,7	8	90
	DT115-DS	15:1 - 100:1	167,4	110	–	–	–	16,2	9	85
	DTR115-SS	5:1 - 50:1	–	–	185,7	173,5	115	11	8	90
	DTR115-DS	60:1 - 500:1	–	–	216,7	173,5	115	12	9	85
WM60Z	DT60-SS	3:1 - 10:1	89,7	60	–	–	–	1	8	90
	DT60-DS	15:1 - 100:1	106,9	60	–	–	–	1,2	9	85
	DTR60-SS	5:1 - 50:1	–	–	110,2	104,1	60	2,5	9	90
	DTR60-DS	60:1 - 500:1	–	–	127,3	104,1	60	2,7	9	85
WM80Z	DT90-SS	3:1 - 10:1	110,9	90	–	–	–	3	9	90
	DT90-DS	15:1 - 100:1	133,5	90	–	–	–	3,7	9	85
	DTR90-SS	5:1 - 50:1	–	–	145,4	138,2	90	4,8	9	90
	DTR90-DS	60:1 - 500:1	–	–	168,0	138,2	90	5,5	9	85

Micron gears can only be used on units without a RediMount flange. Micron DT and DTR planetary gears comes mounted on the unit from factory.

i = gear ratio



Accessories

Gears and Transmission Kits

Micron DT, DTR Planetary Gears, how to order

When ordering a DT or DTR planetary gear you need to state the size and type of gear, which side of the unit the gear shall be installed, the gear ratio and which motor that you wish to use. For DTR you also must state the preferred mounting position of the gear. With this information we can check if your choice of motor is possible or not and give you the correct ordering code for the gear.

Micron DT, ordering data

1. Size of planetary gear

DT60
DT90
DT115

2. Type of gear

-SS
-DS

3. Mounting side of the unit

Left
Right

4. Gear ratio

3:1 (only for -SS models)
5:1 (only for -SS models)
10:1 (only for -SS models)
15:1 (only for -DS models)
25:1 (only for -DS models)
30:1 (only for -DS models)
50:1 (only for -DS models)
100:1 (only for -DS models)

5. Motor

Specify your choice of motor.

Micron DTR, ordering data

1. Type and size of planetary gear

DTR60
DTR90
DTR115

2. Type of gear

-SS
-DS

3. Mounting position of the gear

Position 1
Position 2
Position 3
Position 4

4. Mounting side of the unit

Left
Right

5. Gear ratio

5:1 (only for -SS models)
6:1 (only for -SS models)
9:1 (only for -SS models)
10:1 (only for -SS models)
12:1 (only for -SS models)
15:1 (only for -SS models)
20:1 (only for -SS models)
25:1 (only for -SS models)
30:1 (only for -SS models)
40:1 (only for -SS models)
50:1 (only for -SS models)
60:1 (only for -DS models)
75:1 (only for -DS models)
90:1 (only for -DS models)
100:1 (only for -DS models)
120:1 (only for -DS models)
125:1 (only for -DS models)
150:1 (only for -DS models)
200:1 (only for -DS models)
250:1 (only for -DS models)
300:1 (only for -DS models)
400:1 (only for -DS models)
500:1 (only for -DS models)

6. Motor

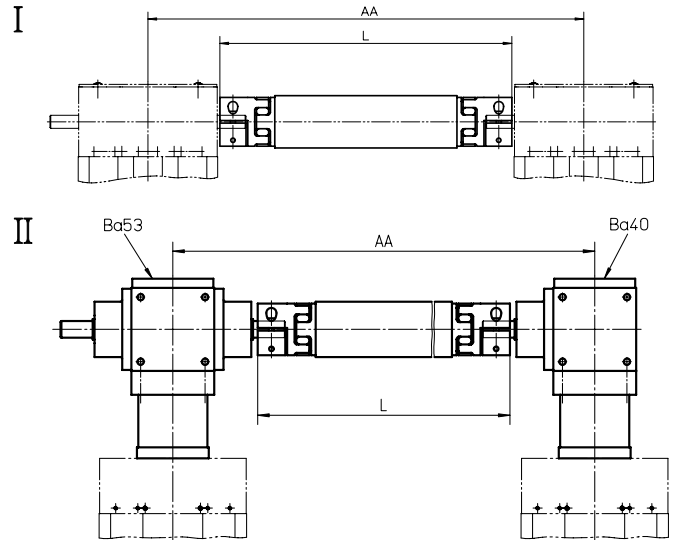
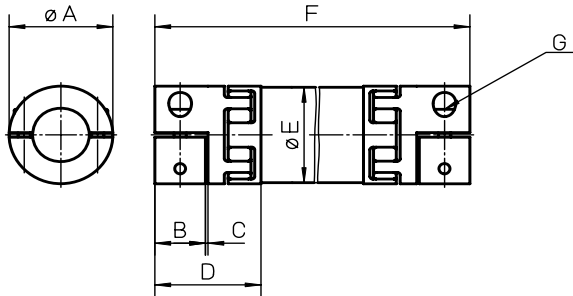
Specify your choice of motor.

Accessories

Gears and Transmission Kits

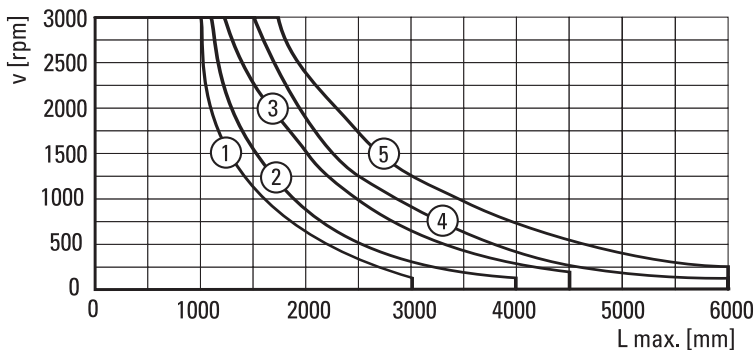
VWZ Intermediate Shafts, dimensions

Shaft	$\varnothing A$	B	C	D	$\varnothing E$	F min.	G
VWZ-30	32	15	1,5	34	30	99	M4
VWZ-40	42	17	1,5	46	40	133	M5
VWZ-60	56	30	2	63	60	177	M6
VWZ-60V	67	35	2	73	60	205	M8
VWZ-80	82	40	2	84	80	249	M10
VWZ-100	102	50	2	97	100	283	M12



The VWZ intermediate shafts can be installed in two ways. Either directly to belt driven units (I) or to screw driven units using KRG bevel gears (II) of type VL50, VL100 or VL200. However, belt driven units with a RediMount flange can not be combined with VWZ shafts while screw driven units can, but in which case the unit must be ordered with the RediMount ID code that fits the bevel gear in question. The intermediate shaft includes tube and couplings.

Critical Speed of Shaft



- 1: VWZ-30
- 2: VWZ-40
- 3: VWZ-60 and VWZ-60V
- 4: VWZ-80
- 5: VWZ-100

VWZ Intermediate Shafts, data

Shaft	Mmax [Nm]	Gs [kg/m]	Gc [kg]	Js [kgm ² /m]	Jc [kgm ²]	Ms [Nm]
VWZ-30	4,8	0,58	0,14	0,00011	0,00001	4
VWZ-40	6,4	0,76	0,36	0,00020	0,00008	8
VWZ-60	22,7	0,97	0,94	0,00080	0,00024	15
VWZ-60V	60,6	0,97	1,42	0,00080	0,00046	35
VWZ-80	122,7	2,00	2,98	0,00300	0,00240	70
VWZ-100	169,7	2,47	4,62	0,00580	0,00600	120

Mmax = max. shaft torque
Gs = weight of shaft

Gc = weight of coupling
Js = inertia of shaft

Jc = inertia of coupling
Ms = tightening torque

Accessories

Gears and Transmission Kits

VWZ Intermediate Shafts, compatibility table

Unit	I	II	VWZ-30	VWZ-40	VWZ-60	VWZ-60V	VWZ-80	VWZ-100	AA [mm]
WH40	•			•					AA = L + 56
WH50 / WHZ50	•				•				AA = L + 54
WM60Z	•				•				AA = L + 64
WH80 / WHZ80	•					•			AA = L + 84
WH120	•							•	AA = L + 124
WM80Z	•					•			AA = L + 84
MLSH60Z	•					•			AA = L + 164
WM40		VL50	•						AA = L + 170
WM60 / WV60		VL100			•				AA = L + 184
WM80 / WV80 / MLSM60D		VL100				•			AA = L + 176
MLSM80Z	•						•		AA = L + 244
WM120 / WV120 / MLSM60D / MLSM80D		VL200					•		AA = L + 244

AA = C/C distance between units

L = total length of shaft and coupling assembly

VWZ Intermediate Shafts, ordering key

	1	2	3
Example	VWZ-060	-02	-0700

1. Intermediate shaft size

VWZ-030 = VWZ-30
 VWZ-040 = VWZ-40
 VWZ-060 = VWZ-60
 VWZ-06V = VWZ-60V
 VWZ-080 = VWZ-80
 VWZ-100 = VWZ-100

2. Type of unit and type of mounting

-01 = WH40 for type I mounting
 -02 = WH50 / WHZ50 for type I mounting
 -03 = WM80Z for type I mounting
 -04 = WH80 / WHZ80 for type I mounting
 -05 = WH120 for type I mounting
 -06 = WM60Z for type I mounting
 -07 = MLSH60Z for type I mounting
 -08 = WM40 for type II mounting on VL50 gears
 -10 = WM60 / WV60 for type II mounting on VL100 gears
 -11 = WM80 / WV80 / MLSM60D for type II mounting on VL100 gears
 -12 = MLSM80Z for type I mounting
 -13 = WM120 / WV120 / MLSM60D / MLSM80D for type II mounting on VL200 gears

3. C/C distance between units (AA)

- xxxx = distance in mm

Accessories

Gears and Transmission Kits

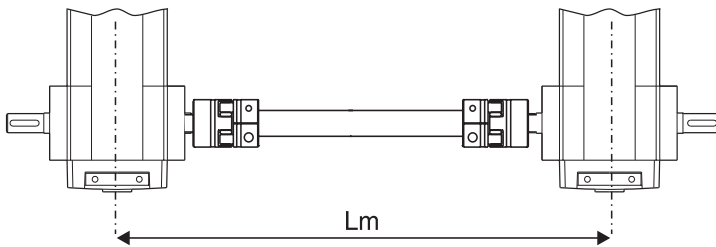
DSP Intermediate Shafts, data

Shaft	Weight of shaft [kg]	Max. speed [rpm]	Shaft diameter [mm]
DSP-05B	$0,3 + 1,3 \times Lm$	1500	20
DSP-06B	$0,3 + 1,3 \times Lm$	1500	20
DSP-07B	$0,6 + 2,6 \times Lm$	1500	30
DSP-10B	$0,6 + 2,6 \times Lm$	1500	30
DSB--ZB	$0,6 + 2,6 \times Lm$	1500	30
DSP-TBS	$0,6 + 2,6 \times Lm$	1500	30

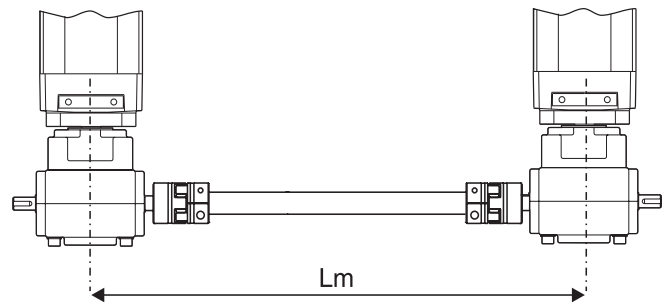
Lm = C/C distance between units in cm

The DSP intermediate shaft can be installed directly between two belt driven units or between two screw driven units using a TBS worm gear. The DSP shaft can not be used on units with a Redi-Mount flange. Couplings and tube are included in the shipment. Support bearings may need to be installed if the critical speed of the shaft is exceeded. See diagram. Support bearings can be ordered from your local bearing supplier.

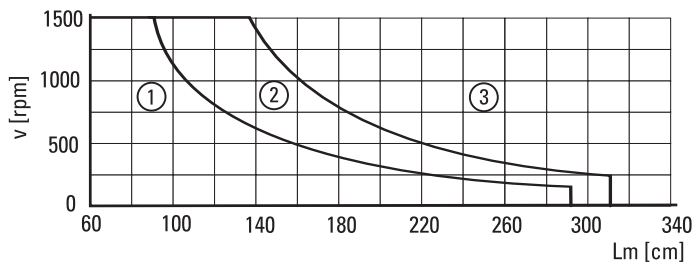
DSP-05B/06B/07B/10B/-ZB



DSP-TBS



Critical Speed of Shaft



- 1: No support bearing required
- 2: Support bearing required for DSP-05B and DSP-06B
- 3: Support bearing always required

Accessories

Gears and Transmission Kits

DSP Intermediate Shafts, compatibility table

Unit	Drive type	DSP-05B	DSP-06B	DSP-07B	DSP-10B	DSP--ZB	DSP-TBS
M50	belt	•					
M55	belt		•				
M75	belt			•			
M100	belt				•		
M55	screw						•
M75	screw						•
M100	screw						•

DSP Intermediate Shafts, ordering key

	1	2
Example	DSP-06B	-305

1. Intermediate shaft size and type

DSP-05B = for belt driven M50 units

DSP-06B = for belt driven M55 units

DSP-07B = for belt driven M75 units

DSP-10B = for belt driven M100 units

DSP-TBS = for screw driven M55, M75 or M100 units with TBS worm gear

2. C/C distance between units in cm (Lm)

- xxx = length in cm



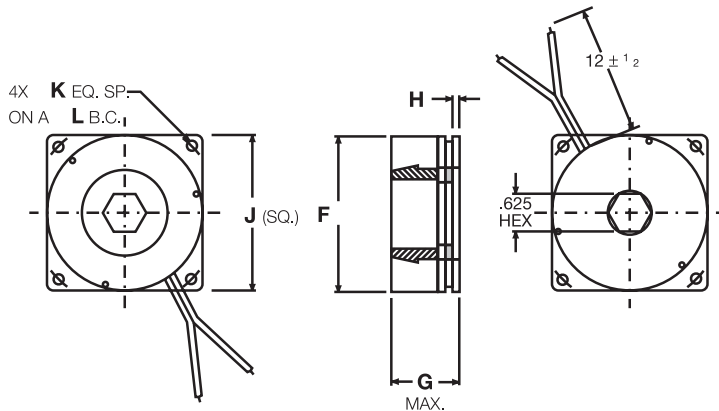
Accessories

Gears and Transmission Kits

Spring Set Brake

Unit type	p/n	Nema size	Static torque [lbf-in]	Supply voltage [VDC]	Dimensions [in]							Brake hub p/n ¹	Brake adaptor p/n
					F	G	H	J	K	L	HEX		
2DB08	TEB23A	23	NEMA 23	24	2.25	1.10	0.11	2.25	0.22	2.625	5/8	HEXHUB23A	MB08-23
2DB12	TEB23B	23	NEMA 23	24	2.25	1.10	0.11	2.25	0.22	2.625	5/8	HEXHUB23B	none required
2HB10, 2RB12	TEB23D	23	NEMA 23	24	2.25	1.10	0.11	2.25	0.22	2.625	5/8	HEXHUB23D	none required
2RB16	TEB23E	23	NEMA 23	24	2.25	1.10	0.11	2.25	0.22	2.625	5/8	HEXHUB23E	none required
2DB16	TEB34A	34	NEMA 34	24	2.25	1.10	0.11	3.25	0.22	3.875	5/8	HEXHUB34A	none required
2HB20	TEB34C	34	NEMA 34	24	2.25	1.31	0.11	3.25	0.22	3.875	7/8	HEXHUB34A	none required

¹ Hub included in spring set brake



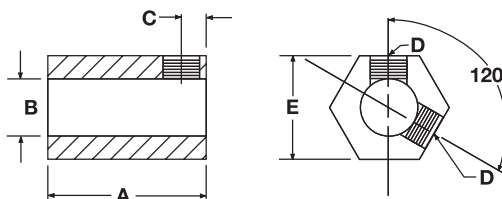
Mounts to support end of 2HB, 2RB, and 2DB units. The brake engages upon loss of power and provides resistance to back drive rotation of ball screws due to gravitational forces when power is interrupted to the brake unit. They are pre-burnished for maximum torque capacity and come with standard NEMA 23, 34 or 42 mounting patterns for easy field retrofit. Compact size minimizes change to the overall system envelope. The 2HB, 2RB, and 2DB ordering keys can be configured with the brake as part of the assembly. See ordering keys or www.LinearMotioneering.com for details. The part numbers listed here are for the brake parts as separate items.

Spring Set Brake Hubs

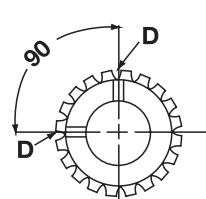
Brake type	p/n	Unit type	Set screw torque [in-lb] ¹	Dimensions [in (mm)]				
				A	B	C	D	E
TEB23A	HEXHUB23A	2DB08	36	1.53	3/16	0.15	#10/32	5/8
TEB23B	HEXHUB23B	2DB12	36	1.31	1/4	0.26	#10/32	5/8
TEB23D	HEXHUB23D	2HB10, 2RB12	36	(20)	(8)	(5)	M4	5/8
TEB23E	HEXHUB23E	2RB16	36	(20)	(20)	(5)	M4	5/8
TEB34A	HEXHUB34A	2DB16	36	1.67	3/8	0.44	#10/32	5/8
TEB34C	HEXHUB34A	2HB20	36	(32)	14	(6)	M5	7/8

¹ It is suggested a serviceable thread locking compound be used.

HEXHUB •••



SPLHUB42A



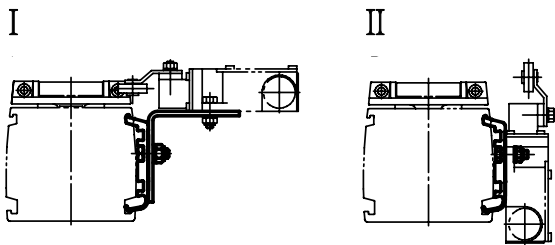
Accessories

Electrical Feedback Devices

Limit Switch Brackets¹

Unit type	I	For limit switch type	II	For limit switch type
M50	D393 035	ZCM-D21	–	–
M55	D313 427	ZCM-D21	D313 428	ZCM-D21
M75	D312 860	XCK-M115	D312 861	XCK-M115
M100	D312 330	XCK-M115	D312 331	XCK-M115

¹ No limit switches included in the shipment.



Limit Switches

Switch type	p/n	Protection degree	Contacts	Cable
XCK-M115	D535 107	IP67	NO + NC	–
ZCM-D21	D535 102	IP67	NO + NC	1 meter

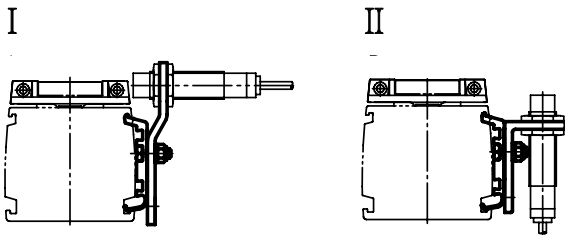
Accessories

Electrical Feedback Devices

Sensor Brackets for Cylindrical Sensors¹

Unit type	I	For sensor diameter	II	For sensor diameter
M55	D313 429	M12	D313 430	M12
M75	D312 862	M18	D312 863	M18
M100	D312 332	M18	D312 333	M18

¹ no sensors included in the shipment



Cylindrical Inductive Sensors

Sensor type	p/n	Diameter	Input voltage	Max. current	Protection degree	Contacts	Cable
PNP	D535 085	M12	12 - 48 Vdc	0,2 A	IP67	NO	connector
PNP	D535 089	M18	12 - 48 Vdc	0,2 A	IP67	NO	connector

Cylindrical Inductive Sensor Connectors

For sensor diameter	p/n
M12	D535 092
M18	D535 091

Accessories

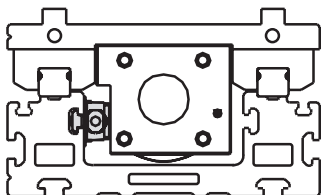
Electrical Feedback Devices

Sensor Packages

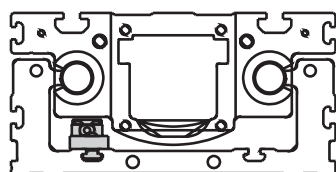
Unit type	Package type	p/n	Output type	Output operation	Frequency ¹	Supply voltage [VDC]	Cable length [m]	Sdetract [mm]
2HB10	One home sensor	LSP2HBM10-N-1	NPN	NO	1 × V	12 - 24	5	-
		LSP2HBM10-P-1	PNP	NO	1 × V	12 - 24	5	-
	Two limit switch sensors	LSP2HBM10-N-2	NPN	NC	2 × S	12 - 24	5	30
		LSP2HBM10-P-2	PNP	NC	2 × S	12 - 24	5	30
	One home and two limit switch sensors	LSP2HBM10-N-3	NPN	1 × NC, 2 × NO	1 × V, 2 × S	12 - 24	5	30
		LSP2HBM10-P-3	PNP	1 × NC, 2 × NO	1 × V, 2 × S	12 - 24	5	30
2HB20	One home sensor	LSP2HBM20-N-1	NPN	NO	1 × V	12 - 24	5	-
		LSP2HBM20-P-1	PNP	NO	1 × V	12 - 24	5	-
	Two limit switch sensors	LSP2HBM20-N-2	NPN	NC	2 × S	12 - 24	5	30
		LSP2HBM20-P-2	PNP	NC	2 × S	12 - 24	5	30
	One home and two limit switch sensors	LSP2HBM20-N-3	NPN	1 × NC, 2 × NO	1 × V, 2 × S	12 - 24	5	30
		LSP2HBM20-P-3	PNP	1 × NC, 2 × NO	1 × V, 2 × S	12 - 24	5	30
2RB12	One home sensor	LSP2RM12-N-1	NPN	NO	1 × V	12 - 24	5	-
		LSP2RM12-P-1	PNP	NO	1 × V	12 - 24	5	-
	Two limit switch sensors	LSP2RM12-N-2	NPN	NC	2 × S	12 - 24	5	35
		LSP2RM12-P-2	PNP	NC	2 × S	12 - 24	5	35
	Home and limit switch sensors	LSP2RM12-N-3	NPN	1 × NC, 2 × NO	1 × V, 2 × S	12 - 24	5	35
		LSP2RM12-P-3	PNP	1 × NC, 2 × NO	1 × V, 2 × S	12 - 24	5	35
2RB16	One home sensor	LSP2RM16-N-1	NPN	NO	1 × V	12 - 24	5	-
		LSP2RM16-P-1	PNP	NO	1 × V	12 - 24	5	-
	Two limit switch sensors	LSP2RM16-N-2	NPN	NC	2 × S	12 - 24	5	35
		LSP2RM16-P-2	PNP	NC	2 × S	12 - 24	5	35
	One home and two limit switch sensors	LSP2RM16-N-3	NPN	1 × NC, 2 × NO	1 × V, 2 × S	12 - 24	5	35
		LSP2RM16-P-3	PNP	1 × NC, 2 × NO	1 × V, 2 × S	12 - 24	5	35

¹ V = varied frequency. S = standard frequency.

LIMIT SWITCH POSITION 2HBE



LIMIT SWITCH POSITION 2RB



Each 2HB and 2RB can be equipped with sensors inside of the profile where they are protected from mechanical damage. The systems are provided with access holes on each side of each end plate for passage of the sensor package cable. Using limit switch sensors will reduce the effective stroke. The standard position will approximately reduce the stroke by the distance listed in the Sdetract column. The 2HB, 2RB, 2HE and 2RE ordering keys can be configured with the limit switches and/or a home sensor as part of the assembly. See ordering keys or www.LinearMotioneering.com for details. The part numbers listed above are for the limit switches and/or home sensors as separate items.

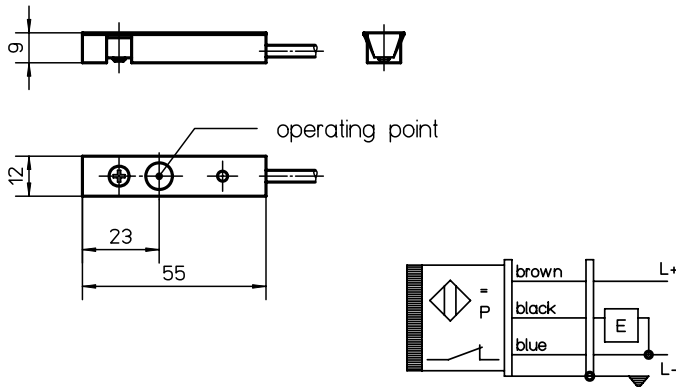
Accessories

Electrical Feedback Devices

EN2 Inductive Sensors, part numbers

Sensor type	Cable length [m]	p/n
Normally closed	2	671 545 0305
Normally open	2	671 545 0304
Normally closed	10	671 545 0307
Normally open	10	671 545 0306

To be able to mount the EN2 inductive sensors on a unit the ENT14x16 sensor rail is required (see page 178) except for units WM120 and WV120 where they can be fitted directly to the profile of the unit.



EN2 Inductive Sensors, data

Parameter		EN2
Supply voltage	[Vdc]	10 – 30
Max. load current	[A]	0,2
Operating distance	[mm]	2
LED indicator for switch		yes
Protection class		IP67
Cable type		screened
Weight	[kg]	
with cable L = 2 m		0,04
with cable L = 10 m		0,19

Magnetic Sensors, data

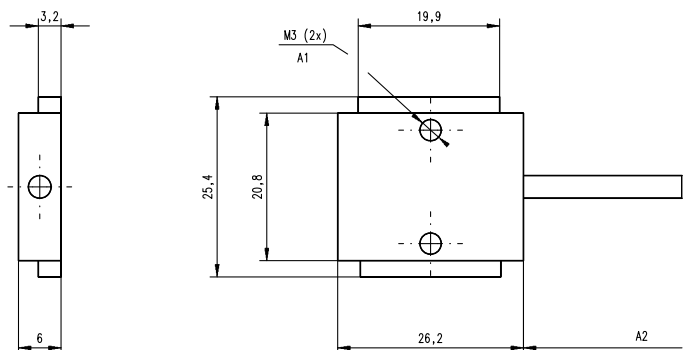
Parameter		
Max. power	[W]	10
Max. voltage	[Vdc]	100
Max. current	[A]	0,5
LED indicator for switch		no
Protection class		IP67
Cable length	[m]	3
Cable cross section	[mm ²]	2 × 0,15
Operating temperature limits	[°C]	-25 – 65
Weight	[kg]	0,050



Magnetic Sensors, part numbers

Sensor type	suitable units	p/n
Normally closed	M50	D535 071
Normally open	M50	D535 070

On M50 the magnetic sensors are mounted directly in the sensor slot of the profiles of the units and require no mounting bracket. The sensor is fixed in position by two M3 size locking screws (A1). The cable (A2) is molded into the sensor.



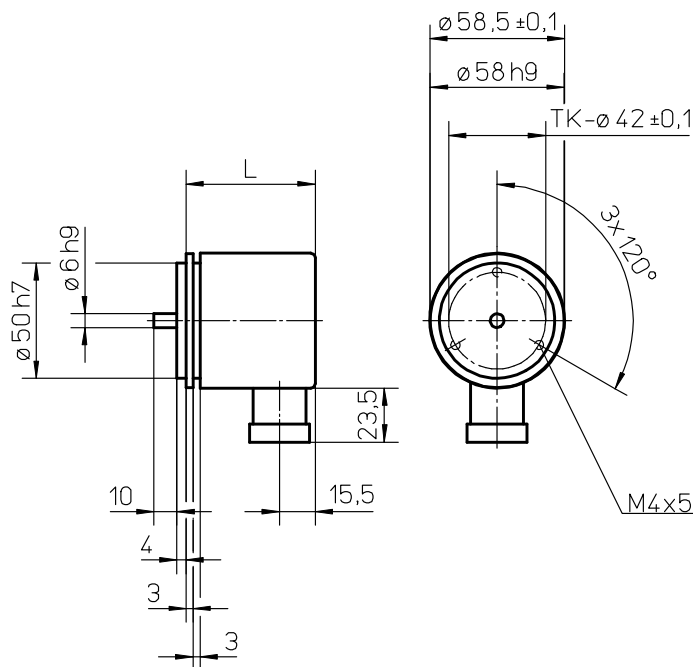
Accessories

Electrical Feedback Devices

IG602 Encoders, data

Parameter	IG602
Supply voltage [Vdc] Type 1 Type 2	5 ±10% 10 – 30
Output type Type 1 Type 2	line driver push-pull
Pulses per revolution [ppr] Type 1 Type 2	100 – 2500 100 – 600
Length (L) [mm] Type 1 Type 2	51,5 56,0
Weight [kg] Type 1 Type 2	0,36 0,36

The IG602 encoders come with mounting screws but no coupling or connector. To be able to mount the encoder to the unit, the unit must have a shaft for encoders. See the ordering keys of the units. The encoders can also be ordered mounted to the unit from factory. See ADG encoder option kit on page 170.



IG602 Encoders, part numbers

Encoder type	Supply voltage [Vdc]	Pulses per revolution	p/n
Type 1	5	100	671 521 0194
Type 1	5	200	671 521 0195
Type 1	5	500	671 521 0196
Type 1	5	600	671 521 0197
Type 1	5	1000	671 521 0198
Type 1	5	1250	671 521 0199
Type 1	5	1500	671 521 0200
Type 1	5	2000	671 521 0192
Type 1	5	2500	671 521 0201
Type 2	10 – 30	100	671 521 0193
Type 2	10 – 30	200	671 521 0202
Type 2	10 – 30	500	671 521 0203
Type 2	10 – 30	600	671 521 0204
Type 2	10 – 30	600	

STE001 Encoder Connector, data

Parameter	STE001
Number of poles	12
Protection class	IP67
Execution	jack
Cable entrance	straight
Weight [kg]	0,04
Part number	6715600153

Encoder Cable, data

Parameter	p/n
5 m cable length	671 555 0068
10 m cable length	671 555 0069

The encoder cables come fitted with a STE001 encoder connector in one of the ends.

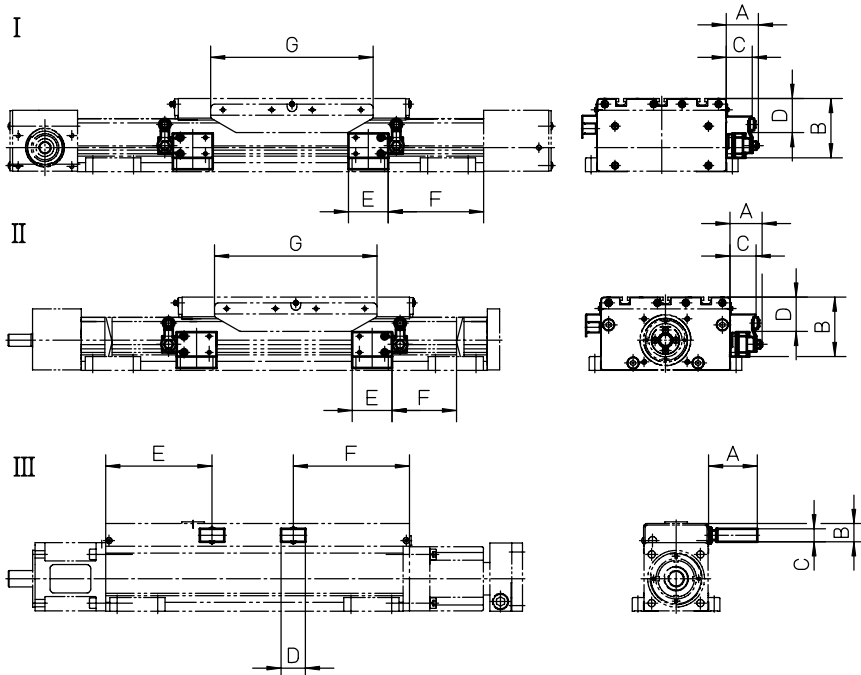
Accessories

Electrical Feedback Devices

ES Limit Switch Option Kit

Unit type	I	II	III	A	B	C	D	E	F	G
WH50 ¹	•			34	60,5	10	26	49	58,5	196
WH80	•			31	76	10	39	49	78,5	196
WH120	•			34	88	10	51	49	78,5	196
WHZ50	•			34	61	10	26	49	58,5	196
WHZ80	•			31	76	10	39	49	78,5	196
WM60		•		40	69	32	38	50	63	200
WM80		•		40	73	32	42	50	79	200
WM120		•		40	89	32	58	50	94	200
WM60Z	•			40	69	32	38	50	73	200
WM80Z ²	•			40	73	32	42	50	99 (89)	200
WV60		•		40	69	32	38	50	33	200
WV80		•		40	73	32	42	50	39	200
WV120		•		40	89	32	58	50	59	200
MLSM60D		•		40	73	32	32	50	79	200
MLSH60Z	•			40	73	32	42	50	79	200
MLSM80D		•		40	85	32	54	50	101	200
MLSM80Z		•		40	85	32	54	50	101	200

¹ Limit switches for these units can not be moved. On all other units the switches can be re-positioned by the customer. ² Value in brackets = for short carriage.



The ES limit switch assembly is an option that is mounted at the factory. The limit switches are placed 10 mm from the mechanical ends of the unit. Each limit switch has one NO and one NC contact with positive opening action. Protection degree is IP67. Type I and II switches can be repositioned along the profile by the customer. Note! The ES limit switch option and any of the sensor rail options ENT14x16, ENF14x16 or ENK can not be mounted on the same side of the unit.

Accessories

Electrical Feedback Devices

ES Limit Switch Option Kit, ordering key

	1	2	3	4
Example	ESK07	-L	-01	-10

1. Compatible unit

ESK02 = WH50
 ESK03 = WH80
 ESK04 = WH120
 ESK05 = WM40
 ESK06 = WM60 / WM60Z
 ESK07 = WM80 / WM80Z
 ESK08 = WM120
 ESK09 = WV60
 ESK10 = WV80
 ESK11 = WV120
 ESK12 = WHZ50
 ESK13 = WHZ80
 ESK16 = MLSH60Z
 ESK18 = MLSM80Z
 ESK19 = MLSM60D
 ESK20 = MLSM80D

2. Mounting side of the unit

-L = left side
 -R = right side

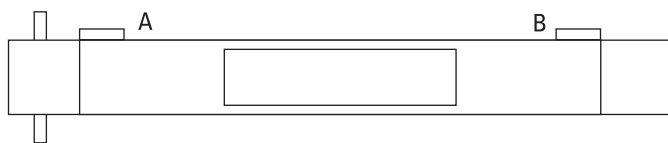
3. Switch configuration on side A

-00 = no switch on side A
 -01 = switch with 1 m cable
 -05 = switch with 5 m cable
 -10 = switch with 10 m cable

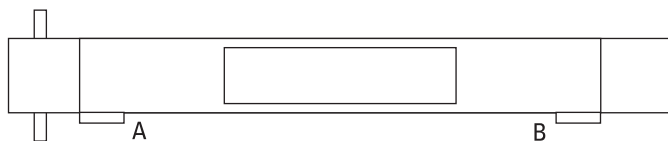
4. Switch configuration on side B

-00 = no switch on side B
 -01 = switch with 1 m cable
 -05 = switch with 5 m cable
 -10 = switch with 10 m cable

ES-...-R-...-...



ES-...-L-...-...



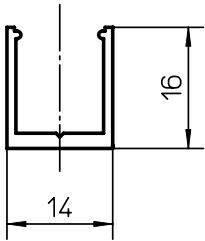


Accessories

Electrical Feedback Devices

ENT14x16 Inductive Sensor Rail

Unit type	p/n
WH40 / WH50 / WH80 / WH120 / WHZ50 / WHZ80 / WM40 / WM60 / WM80 / WM60Z / WM80Z / WV60 / WV80 / MLSM60D / MLSM80D / MLSH60Z / MLSM80Z	671 545 0283

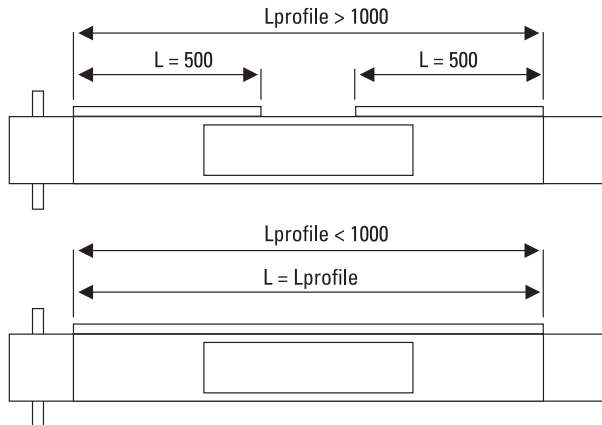
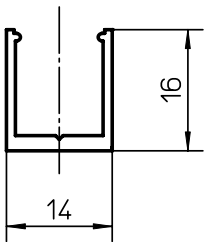


The ENT14x16 inductive sensor rail is mounted to the side of a unit or along any type of beam or profile. Sensors of type EN2 can be mounted in the rail. The rail can also serve as a cable duct for the sensor cables. The rail is sealed with a cover which comes with the rail. The rail comes in lengths of max 3000 mm. Drilling in the profile of the unit is required when mounting the rail. When ordering, specify part number and length of the rail. **Note1!** WM120 and WV120 units do not require any rail as the EN2 sensors can be fitted directly to the profile of the units. **Note2!** ES limit switch option and ENT14x16 rail can not be mounted on the same side of the unit.

ENF and ENK Inductive Sensor Rail Option Kit, compatibility table

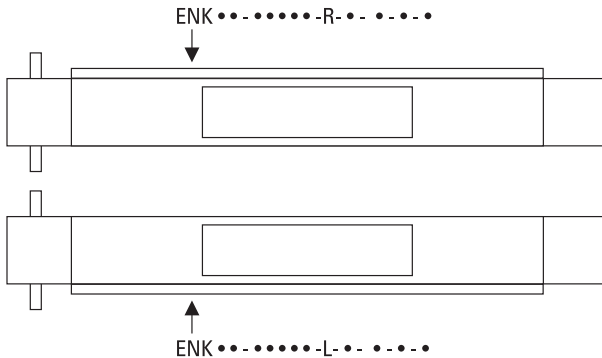
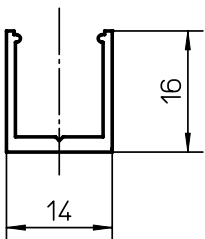
Unit type	ENF / ENK
WH40 / WH50 / WH80 / WH120 / WHZ50 / WHZ80 / WM40 / WM60 / WM80 / WM60Z / WM80Z / WV60 / WV80 / MLSM60D / MLSM80D / MLSH60Z / MLSM80Z / M50 / M75 / M100	.

ENF



The ENF and ENK inductive sensor rail option kits are mounted at the factory. The ENF option consists of two 500 mm long ENT14x16 sensor rails mounted in each end of the unit on the left or right side of the profile. In cases where the unit is too short to allow two 500 mm sensor rails to be mounted, then one rail is mounted along the entire profile of the unit. The ENK option also consists of ENT14 x16 sensor rails but the ENK option has sensor profiles that run along the entire profile of the unit. In the shipment of both ENF and ENK the specified amount and type of EN2 sensors are included. The sensors are fitted to the sensor rail by the customer at the desired positions.

ENK



Note1! WM120 and WV120 units do not require any ENF or ENK options as the EN2 sensors can be fitted directly to the profile of the units.

Note2! The ES limit switch option and ENF rail can not be mounted on the same side of the unit.

Note3! Movopart M50/75/100 units require adapter plates for mounting the ENF/ENK to the profile. See page 121 for adapter plate dimensions.

Accessories

Electrical Feedback Devices

ENK and ENF Inductive Sensor Rail Option Kit, ordering key

	1	2	3	4	5	6	7	8
Example	ENK01	-S	-04000	-R	-2	-0	-1	-6

1. Type of rail and compatible unit

ENK01 = ENK rail for WH40
 ENK02 = ENK rail for WH50
 ENK03 = ENK rail for WH80
 ENK04 = ENK rail for WH120
 ENK05 = ENK rail for WM40
 ENK06 = ENK rail for WM60 / WV60
 ENK07 = ENK rail for WM80 / WV80
 ENK08 = ENK rail for WM120 / WV120
 ENK09 = ENK rail for WM60Z
 ENK10 = ENK rail for WM80Z
 ENK11 = ENK rail for WHZ50
 ENK12 = ENK rail for WHZ80
 ENK15 = ENK rail for MLSH60Z
 ENK17 = ENK rail for MLSM80Z
 ENK18 = ENK rail for MLSM60D
 ENK19 = ENK rail for MLSM80D
 ENK28 = ENK rail for MF/MG07S
 ENK29 = ENK rail for MF/MG06S
 ENK30 = ENK rail for MF/MG06B
 ENK31 = ENK rail for MF/MG07B
 ENK32 = ENK rail for MF/MG10S
 ENK33 = ENK rail for MF/MG10B

ENF01 = ENF rail for WH40
 ENF02 = ENF rail for WH50
 ENF03 = ENF rail for WH80
 ENF04 = ENF rail for WH120
 ENF05 = ENF rail for WM40
 ENF06 = ENF rail for WM60 / WV60
 ENF07 = ENF rail for WM80 / WV80
 ENF08 = ENF rail for WM120 / WV120
 ENF09 = ENF rail for WM60Z
 ENF10 = ENF rail for WM80Z
 ENF11 = ENF rail for WHZ50
 ENF12 = ENF rail for WHZ80
 ENF15 = ENF rail for MLSH60Z
 ENF17 = ENF rail for MLSM80Z
 ENF18 = ENF rail for MLSM60D
 ENF19 = ENF rail for MLSM80D
 ENF28 = ENF rail for MF/MG07S
 ENF29 = ENF rail for MF/MG06S
 ENF30 = ENF rail for MF/MG06B
 ENF31 = ENF rail for MF/MG07B
 ENF32 = ENF rail for MF/MG10S
 ENF33 = ENF rail for MF/MG10B

2. Number of carriages

-S = single carriage
 -D = double carriages

3. Total length of unit (L tot)

-vvvvv = distance in mm

4. Mounting side of the unit

-L = left side
 -R = right side

5. Number of EN2 sensors with NC contact and 2 m cable

-w = 0 – 9 sensors / normally closed / 2 m cable

6. Number of EN2 sensors with NO contact and 2 m cable

-x = 0 – 9 sensors / normally open / 2 m cable

7. Number of EN2 sensors with NC contact and 10 m cable

-y = 0 – 9 sensors / normally closed / 10 m cable

8. Number of EN2 sensors with NO contact and 10 m cable

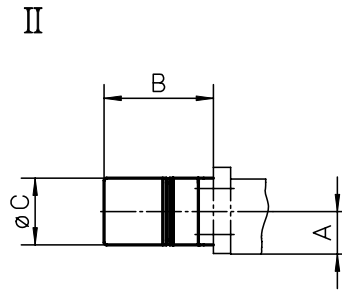
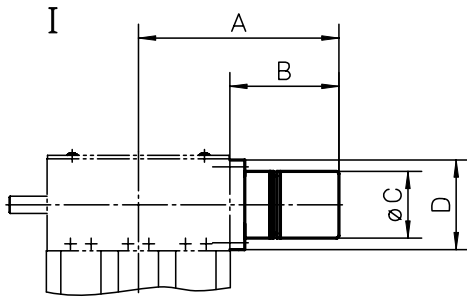
-z = 0 – 9 sensors / normally open / 10 m cable

Accessories

Electrical Feedback Devices

ADG Encoder Option Kit

Unit type	Mounting type I	Mounting type II	A	B	øC	D
WH40	•		115	95	58,5	ø60
WH50 / WHZ50	•		120	96	58,5	50 × 50
WH80 / WHZ80	•		139	100	58,5	90 × 90
WH120	•		153	93	58,5	100 × 100
WM40		•	25	95	58,5	–
WM60		•	31	95	58,5	–
WM80		•	40	95	58,5	–
WM120		•	74	95	58,5	–
WM60Z	•		124	94	58,5	60 × 60
WM80Z	•		138	98	58,5	65 × 65
MLSM60D		•	37	95	58,5	–
MLSM80D		•	46	95	58,5	–
MLSH60Z	•		174,5	95	58,5	78 × 59
MLSM80Z	•		214,5	95	58,5	100 × 80



The ADG encoder option kit is an option that is mounted to the unit at the factory. It includes an IG602 encoder, a STE001 encoder connector and an encoder mounting flange with coupling. Cable can also be supplied in 5 or 10 meter lengths.

Accessories

Electrical Feedback Devices

ADG Encoder Option Kit, ordering key

	1	2	3
Example	ADG-08	-05-0600	-00

1. Compatible unit

ADG-01 = WH40
 ADG-02 = WH50 / WHZ50
 ADG-03 = WH80 / WHZ80
 ADG-04 = WH120
 ADG-05 = WM40
 ADG-06 = WM60 / WV60
 ADG-07 = WM80 / WV80
 ADG-08 = WM120 / WV120
 ADG-09 = WM60Z
 ADG-10 = WM80Z
 ADG-11 = MLSH60Z
 ADG-13 = MLSM80Z
 ADG-14 = MLSM60D
 ADG-15 = MLSM80D

2. Supply voltage and number of pulses

-05-0100 = 5 volts, 100 pulses per revolution
 -05-0200 = 5 volts, 200 pulses per revolution
 -05-0500 = 5 volts, 500 pulses per revolution
 -05-0600 = 5 volts, 600 pulses per revolution
 -05-1000 = 5 volts, 1000 pulses per revolution
 -05-1250 = 5 volts, 1250 pulses per revolution
 -05-2000 = 5 volts, 2000 pulses per revolution
 -05-2500 = 5 volts, 2500 pulses per revolution
 -24-0100 = 10 - 30 volts, 100 pulses per revolution
 -24-0200 = 10 - 30 volts, 200 pulses per revolution
 -24-0500 = 10 - 30 volts, 500 pulses per revolution
 -24-0600 = 10 - 30 volts, 600 pulses per revolution

3. Cable and connector configuration

-00 = no cable only STE001 encoder connector
 -05 = 5 m cable with STE001 encoder connector in one of the ends
 -10 = 10 m cable with STE001 encoder connector in one of the ends

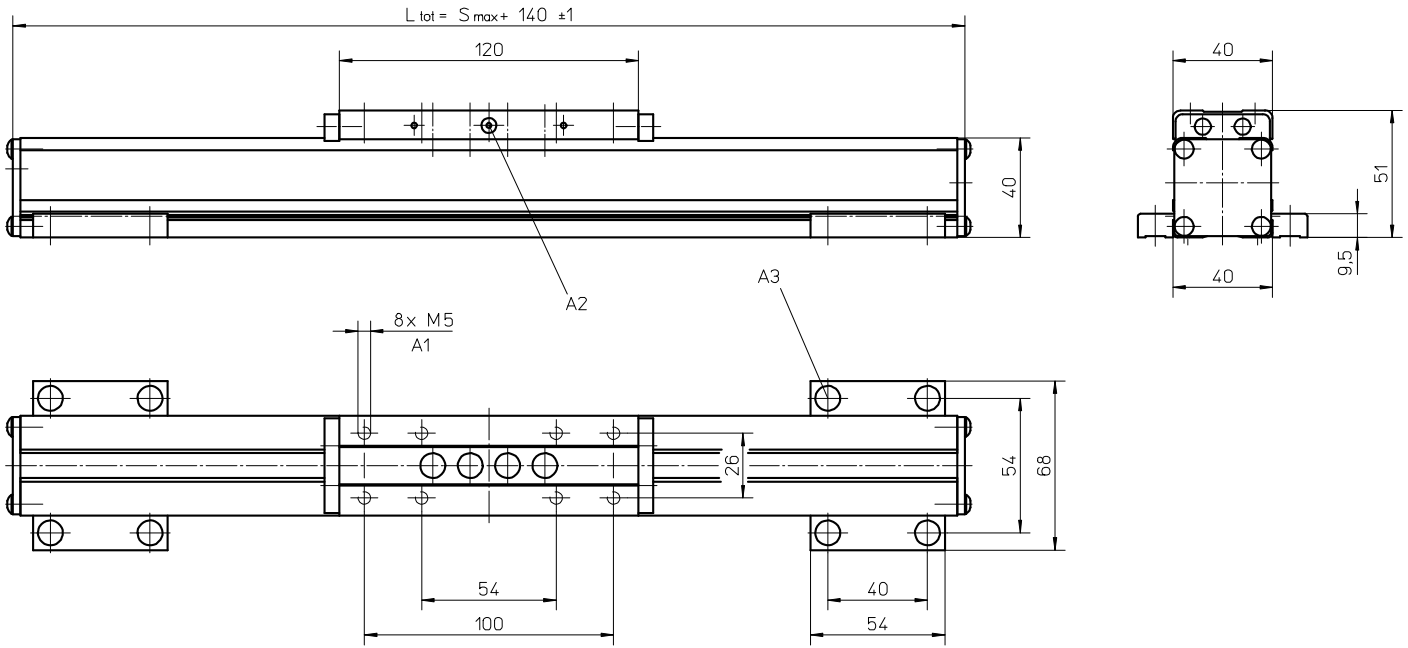
Accessories

Non-driven Linear Motion Systems

Dimensions	Projection	Online Sizing & Selection!
METRIC		www.LinearMotioneering.com

WH40N

» Ordering key - see page 192
 » Technical data - see page 74

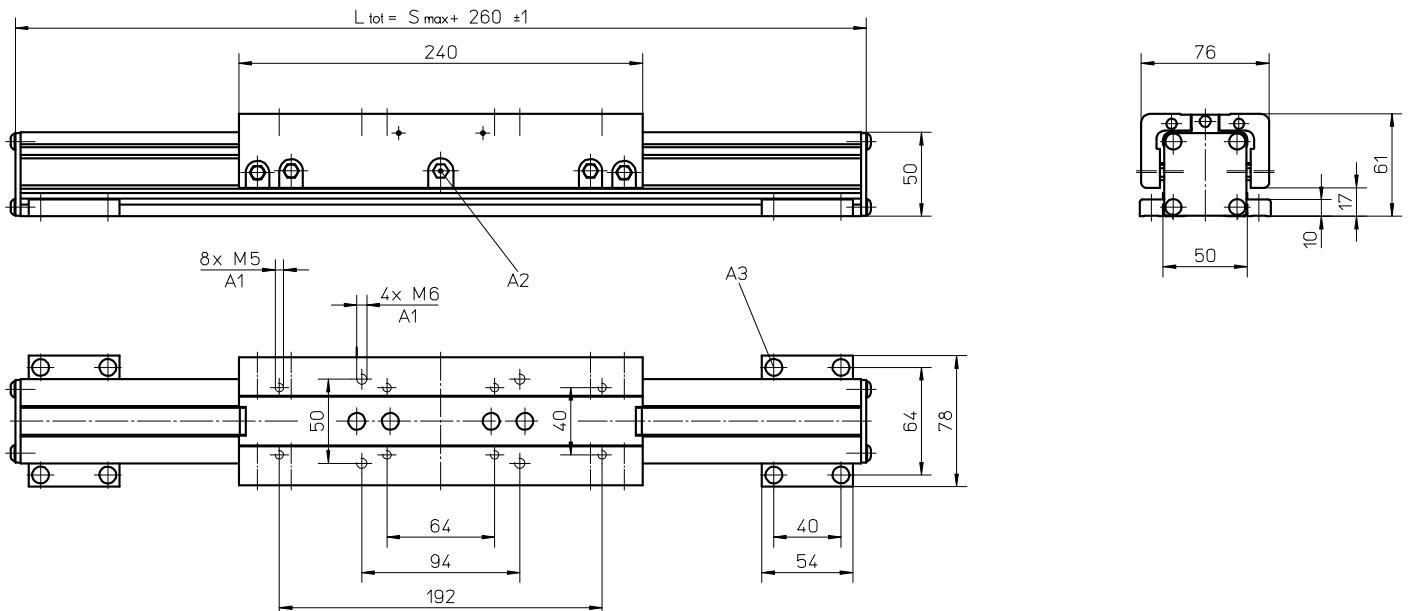


A1: depth 10
 A2: lubricating nipple on both sides DIN3405 D 1/A

A3: socket cap screw ISO4762-M5x12 8.8

WH50N

» Ordering key - see page 192
 » Technical data - see page 102



A1: depth 10
 A2: funnel type lubricating nipple DIN3405-M6x1-D1

A3: socket cap screw ISO4762-M5x12 8.8

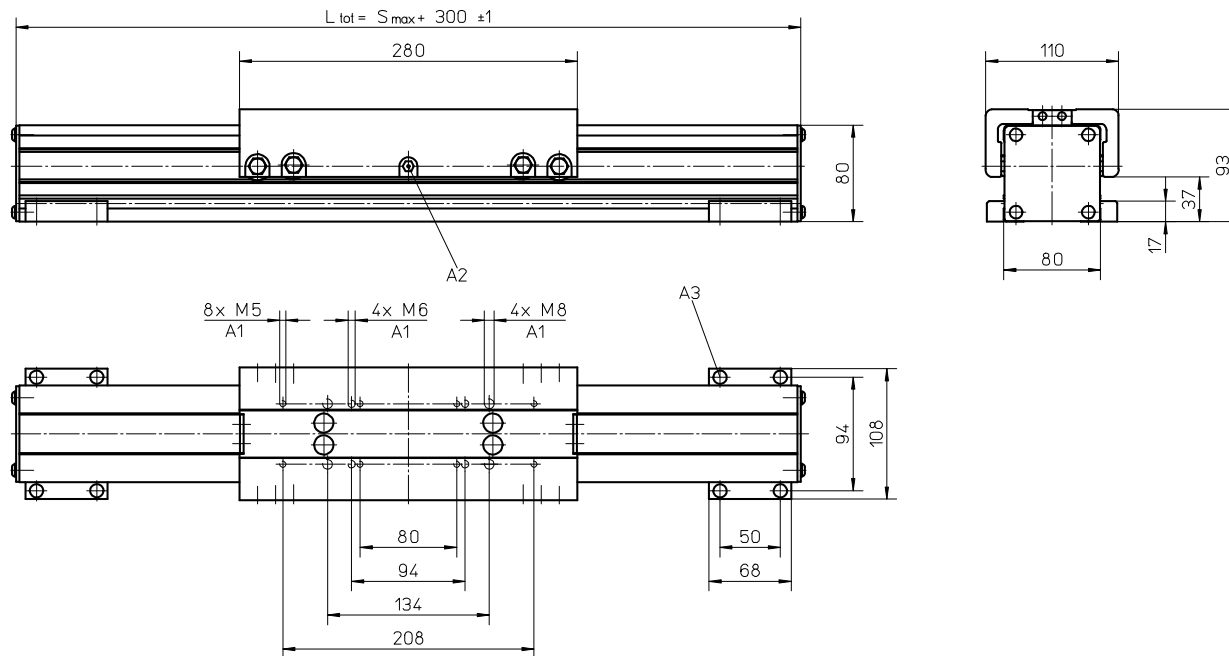
Accessories

Non-driven Linear Motion Systems

Dimensions	Projection	Online Sizing & Selection!
METRIC		www.LinearMotioneering.com

WH80N

» Ordering key - see page 192
 » Technical data - see page 104

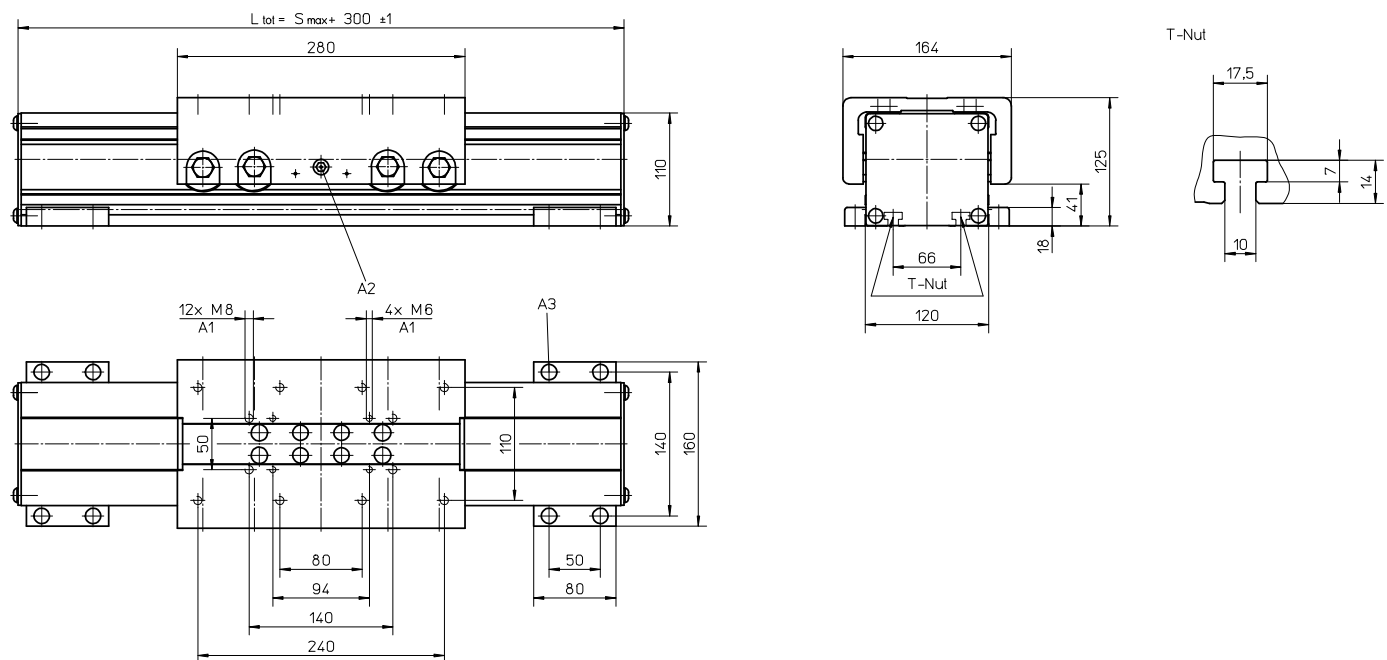


A1: depth 12
 A2: funnel type lubricating nipple DIN3405-M6×1-D1

A3: socket cap screw ISO4762-M6×20 8.8

WH120N

» Ordering key - see page 192
 » Technical data - see page 106



A1: depth 12
 A2: funnel type lubricating nipple DIN3405-M6×1-D1

A3: socket cap screw ISO4762-M8×20 8.8

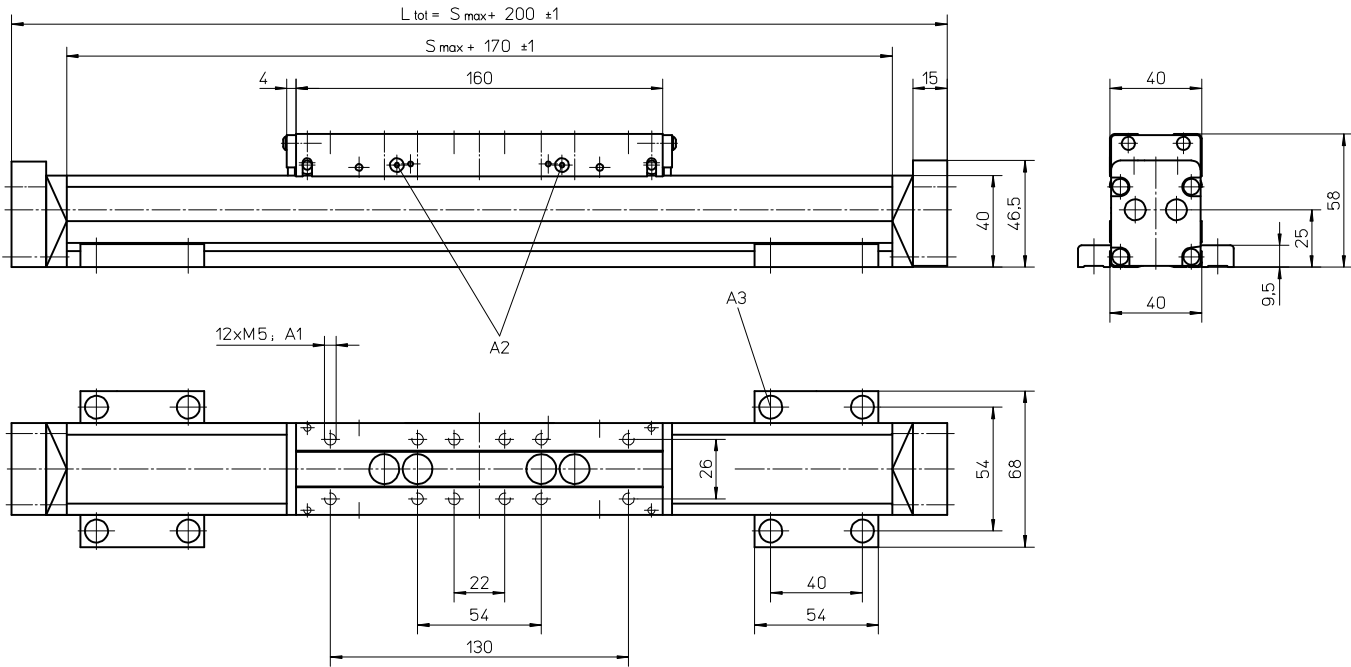
Accessories

Non-driven Linear Motion Systems

Dimensions	Projection	Online Sizing & Selection!
METRIC		www.LinearMotioneering.com

WM40N

» Ordering key - see page 192
 » Technical data - see page 14

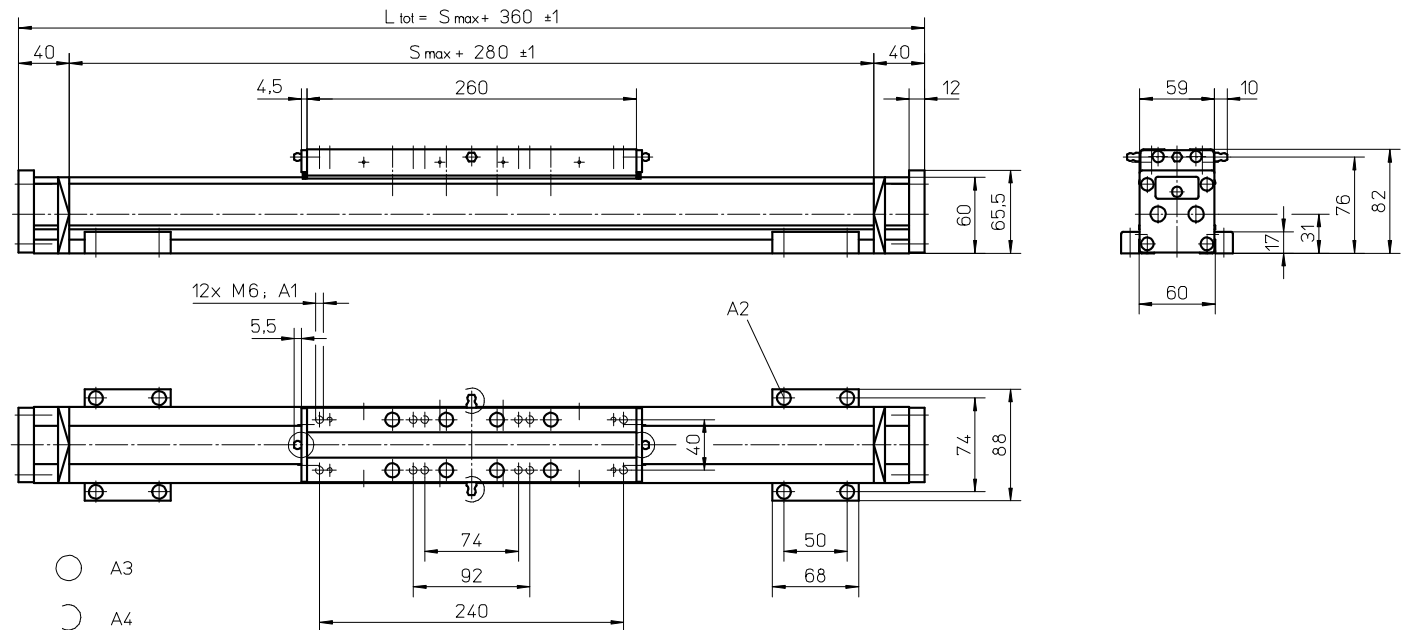


A1: depth 7
 A2: lubricating nipple on both sides DIN3405 D 1/A

A3: socket cap screw ISO4762-M5x12 8.8

WM60N

» Ordering key - see page 192
 » Technical data - see page 18



- A3
- A4

A1: depth 11
 A2: socket cap screw ISO4762-M6x20 8.8

A3: tapered lubricating nipple to DIN71412 AM6
 A4: can be changed over to one of the three alternative lubricating points by the customer

Accessories

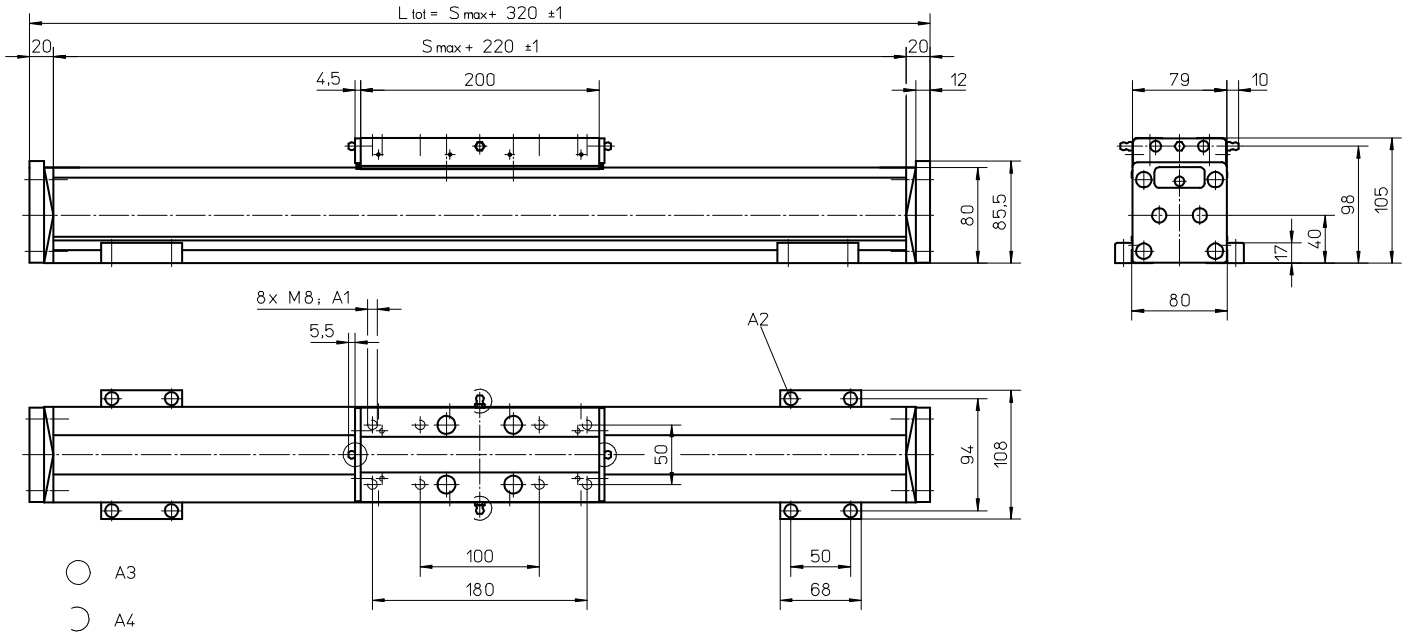
Non-driven Linear Motion Systems

Dimensions	Projection	Online Sizing & Selection!
METRIC		www.LinearMotioneering.com

WM80N with Single Short Carriage

» Ordering key - see page 192

» Technical data - see page 26



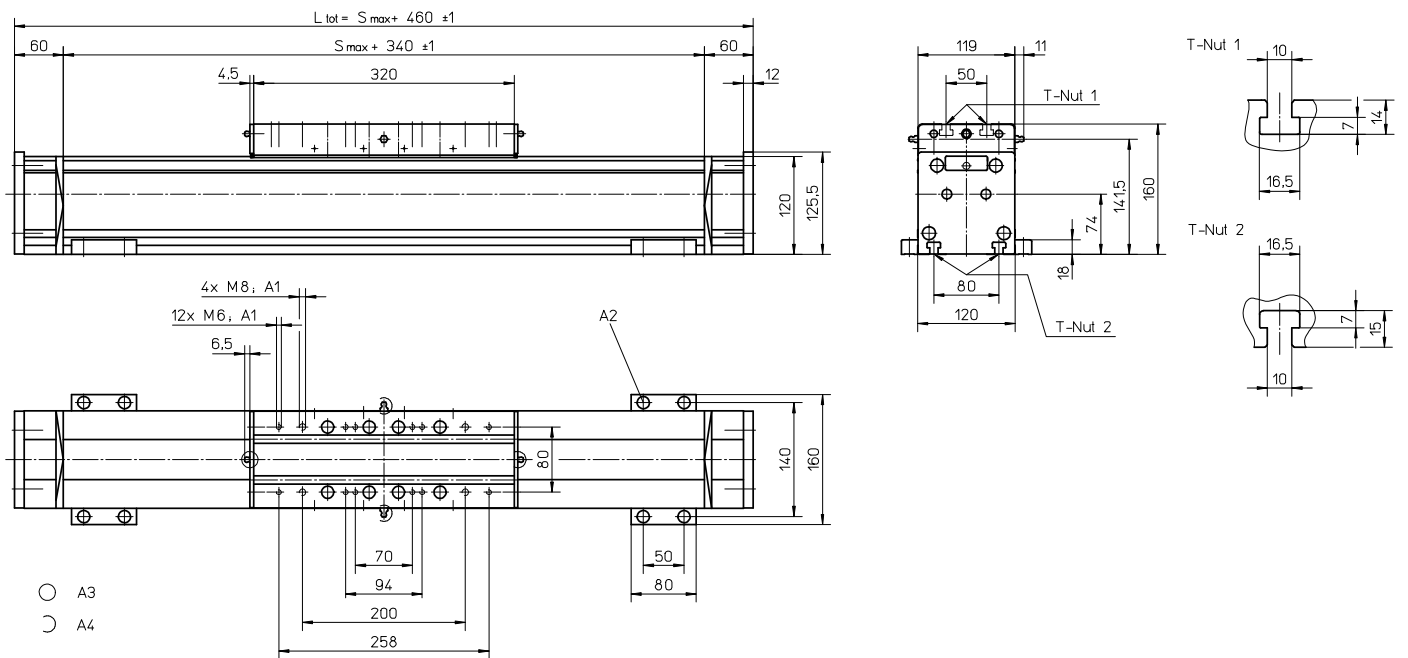
A1: depth 12
A2: socket cap screw ISO4762-M6x20 8.8

A3: tapered lubricating nipple to DIN71412 AM6
A4: can be changed over to one of the three alternative lubricating points by the customer

WM120N

» Ordering key - see page 192

» Technical data - see page 34



A1: depth 22
A2: socket cap screw ISO4762-M8x20 8.8

A3: tapered lubricating nipple to DIN71412 M8x1
A4: can be changed over to one of the three alternative lubricating points by the customer

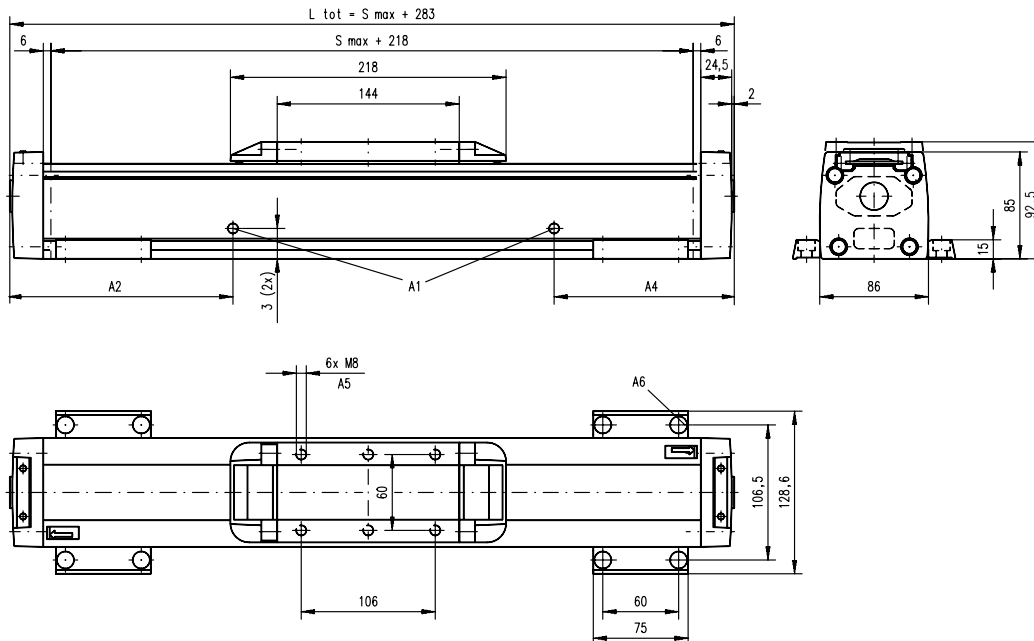
Accessories

Non-driven Linear Motion Systems

Dimensions	Projection	Online Sizing & Selection!
METRIC		www.LinearMotioneering.com

M75N

- » Ordering key - see page 193
- » Technical data - see page 42

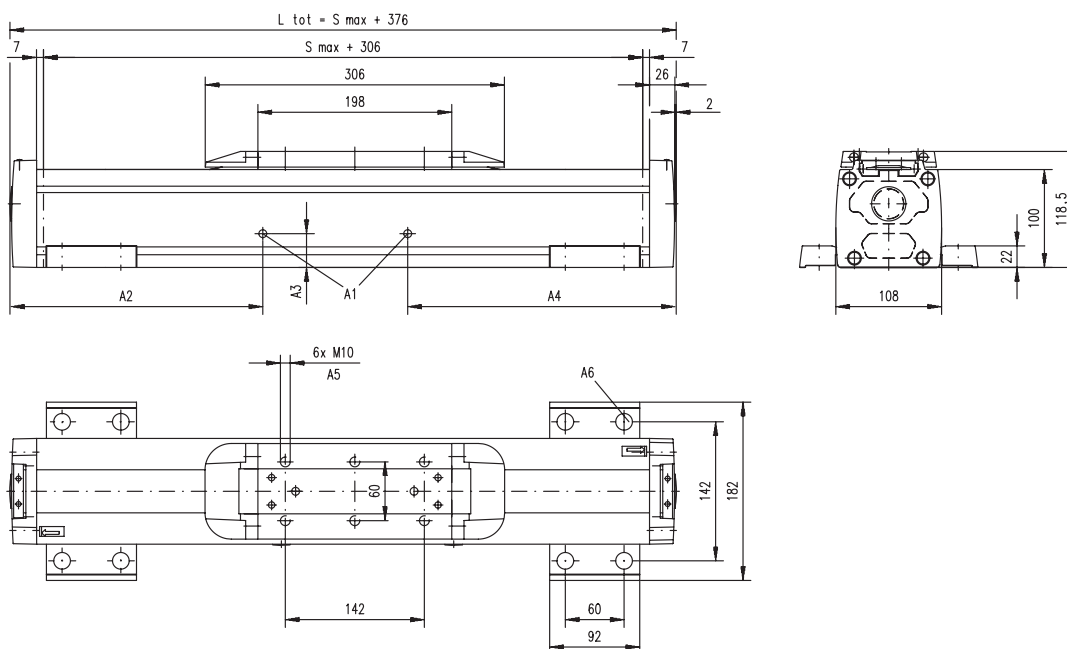


- A1: slide guide tensioning holes $\phi 6$ (MG07N), lubrication holes $\phi 10$ (MF07N)
- A2: 177 (MG07N), 127 (MF07N)
- A3: 24 (MG07N), 43 (MF07N)

- A4: 326 (MG07N), 346 (MF07N)
- A5: depth 8 Heli coil
- A6: $\phi 13,5 / \phi 8,5$ for socket head cap screw M8

M100N

- » Ordering key - see page 193
- » Technical data - see page 44



- A1: slide guide tensioning holes $\phi 6$ (MG10N), $\phi 10$ (MF10N)
- A2: 127,5 if $L_{tot} \leq 1055$ mm, 227,5 if $L_{tot} > 1055$ mm (MG10N), 292,5 (MF10N)
- A3: 34,5 (MG10N), 56,5 (MF10N)

- A4: 127,5 if $L_{tot} \leq 1055$ mm, 377,5 if $L_{tot} > 1055$ mm (MG10N), 292,5 if $L_{tot} \Rightarrow 75$ mm, no hole if $L_{tot} < 75$ mm (MF10N)
- A5: depth 10 Heli coil
- A6: $\phi 17 / \phi 10,5$ for socket head cap screw M10

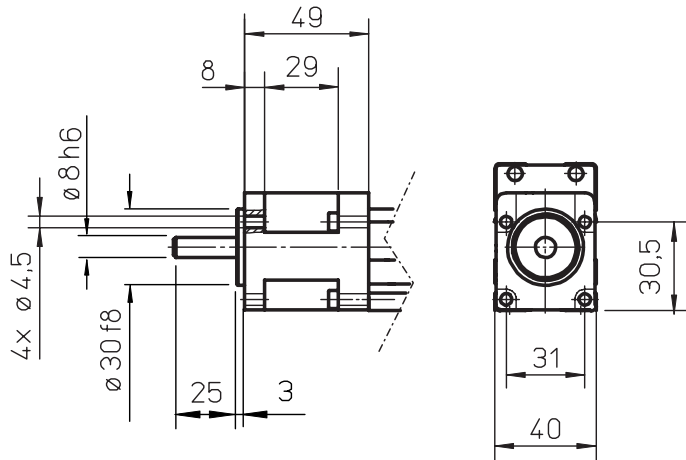
Accessories

Non-RediMount Linear Motion Systems

Dimensions	Projection	Online Sizing & Selection!
METRIC		www.LinearMotioneering.com

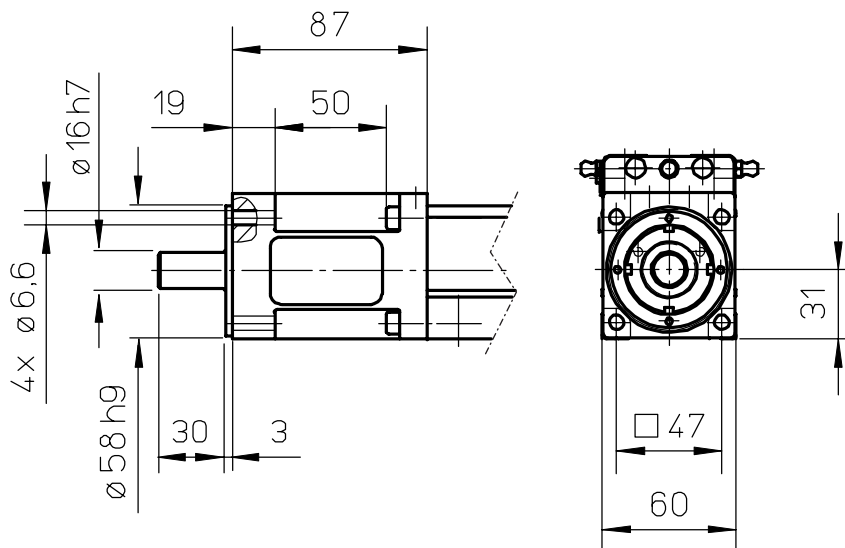
WM40

- » Ordering key - see page 176
- » Technical data - see page 14 - 17



WM60, WV60

- » Ordering key - see page 176, 177
- » Technical data - see page 18 - 23, 30



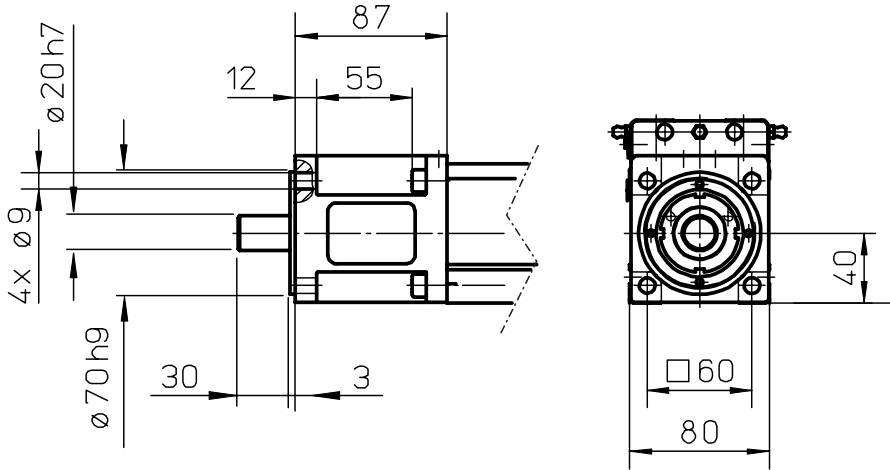
Accessories

Dimensions	Projection	Online Sizing & Selection!
METRIC		www.LinearMotioneering.com

Non-RediMount Linear Motion Systems

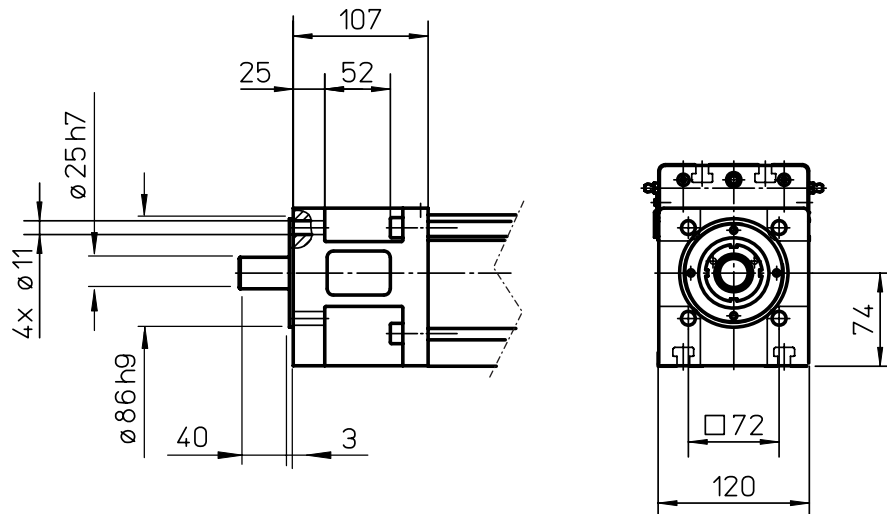
WM80, WV80

- » Ordering key - see page 176, 177
- » Technical data - see page 24 - 27, 32



WM120, WV120

- » Ordering key - see page 176, 177
- » Technical data - see page 28, 32



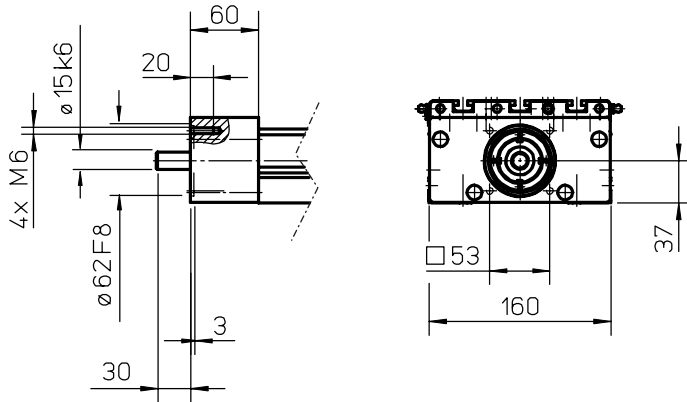
Accessories

Non-RediMount Linear Motion Systems

Dimensions	Projection	Online Sizing & Selection!
METRIC		www.LinearMotioneering.com

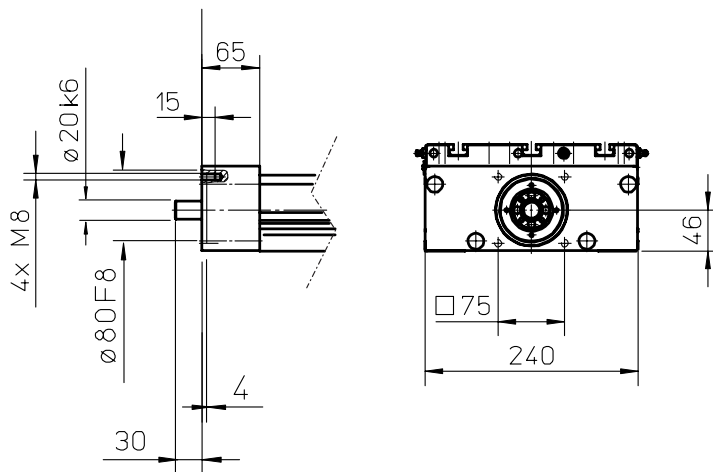
MLSM60D

» Ordering key - see page 178
 » Technical data - see page 36




MLSM80D

» Ordering key - see page 178
 » Technical data - see page 38



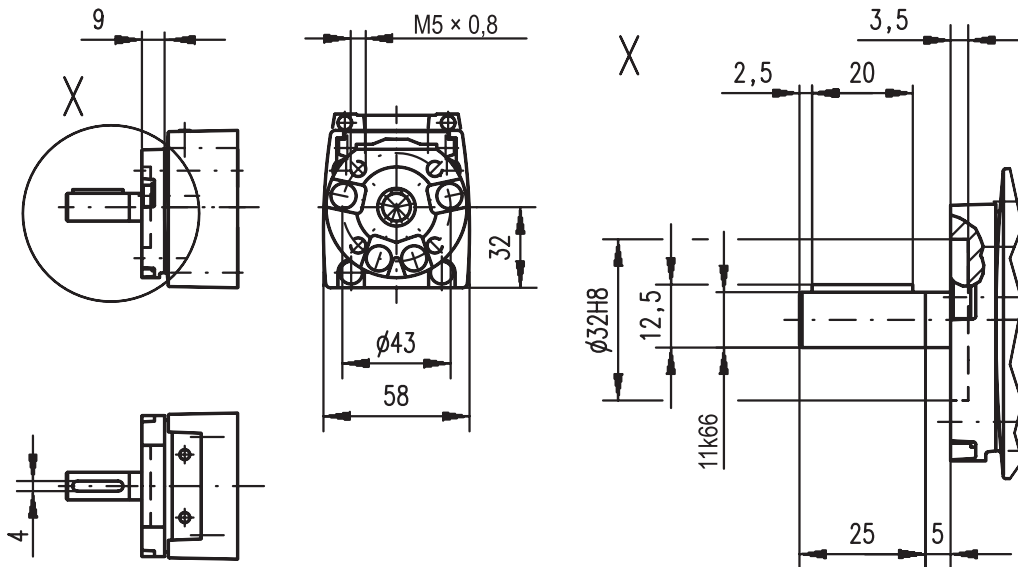
Accessories

Non-RediMount Linear Motion Systems

Dimensions	Projection	Online Sizing & Selection!
METRIC		www.LinearMotioneering.com

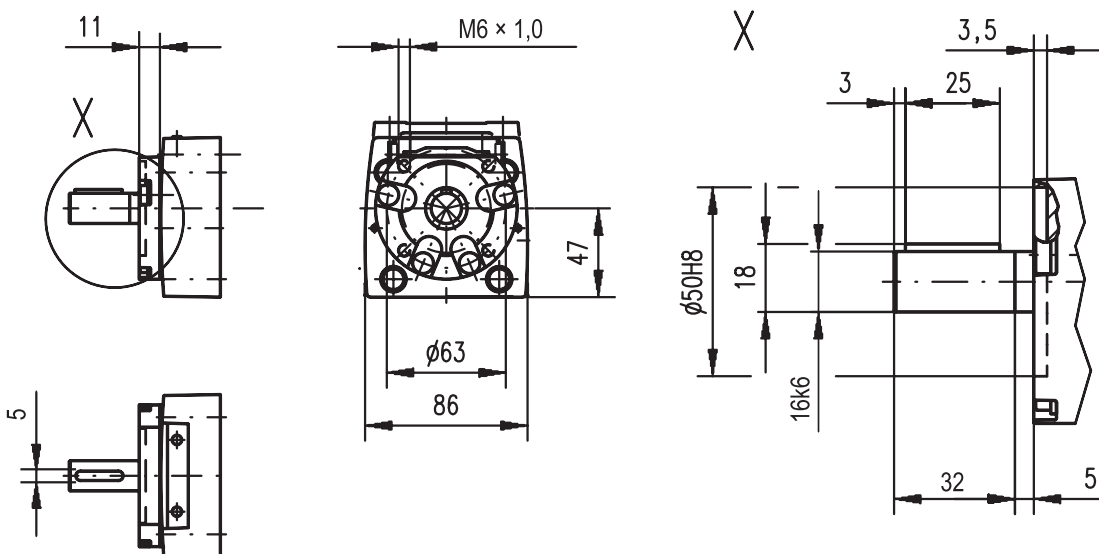
M55 with ball screw drive

» Ordering key - see page 179, 183
 » Technical data - see page 40, 66



M75 with ball screw drive

» Ordering key - see page 179, 183
 » Technical data - see page 42, 68



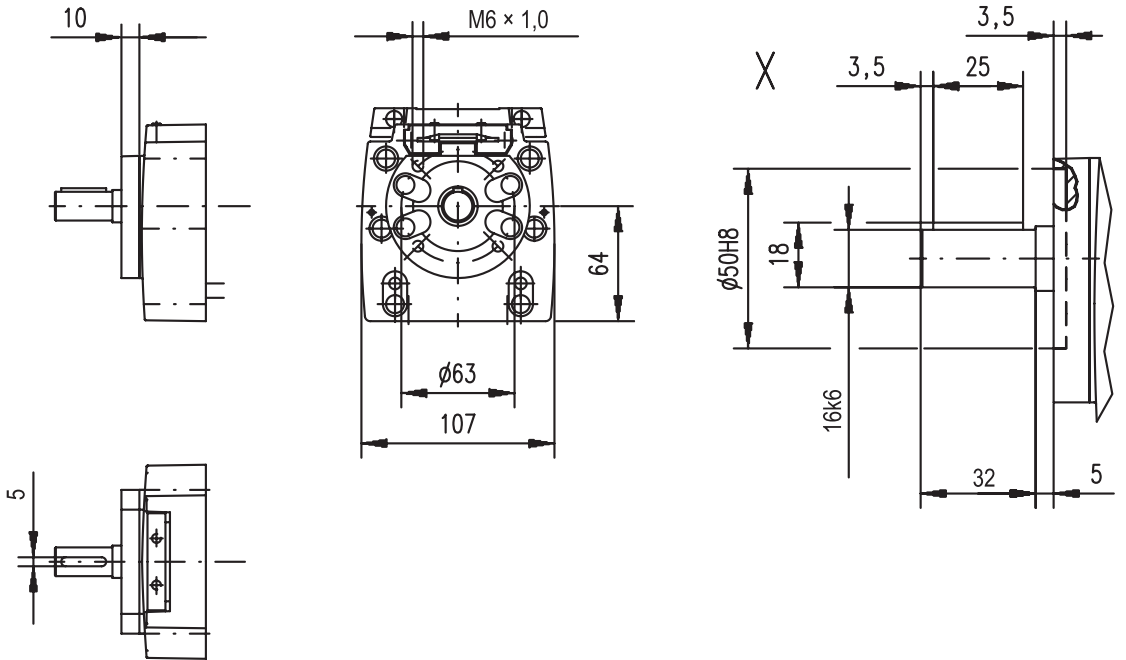
Accessories

Non-RediMount Linear Motion Systems

Dimensions	Projection	Online Sizing & Selection!
METRIC		www.LinearMotioneering.com

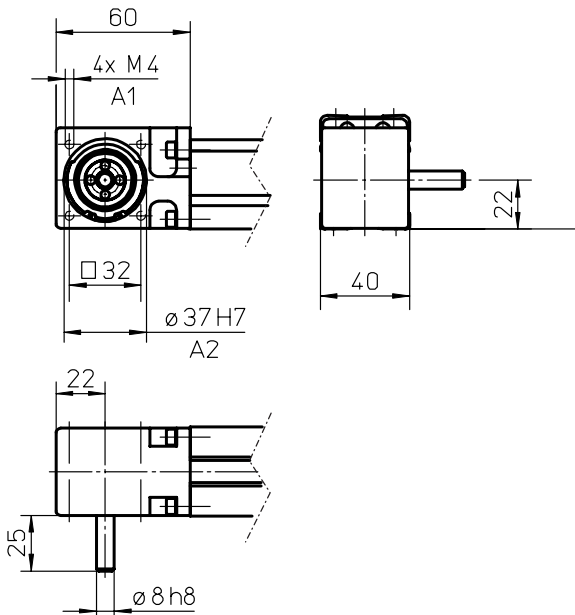
M100 with ball screw drive

- » Ordering key - see page 179, 183
- » Technical data - see page 44, 70



WH40

- » Ordering key - see page 184
- » Technical data - see page 74



A1: depth 10
A2: depth 3

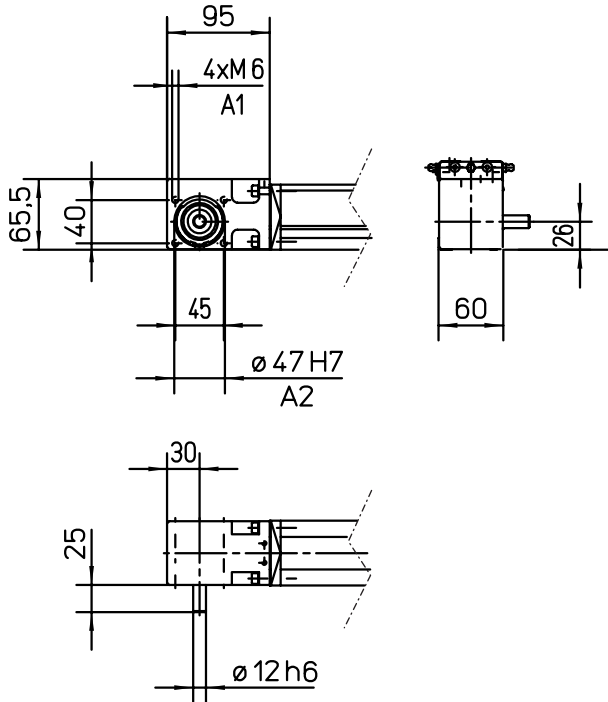
Accessories

Non-RediMount Linear Motion Systems

Dimensions	Projection	Online Sizing & Selection!
METRIC		www.LinearMotioneering.com

WM60Z

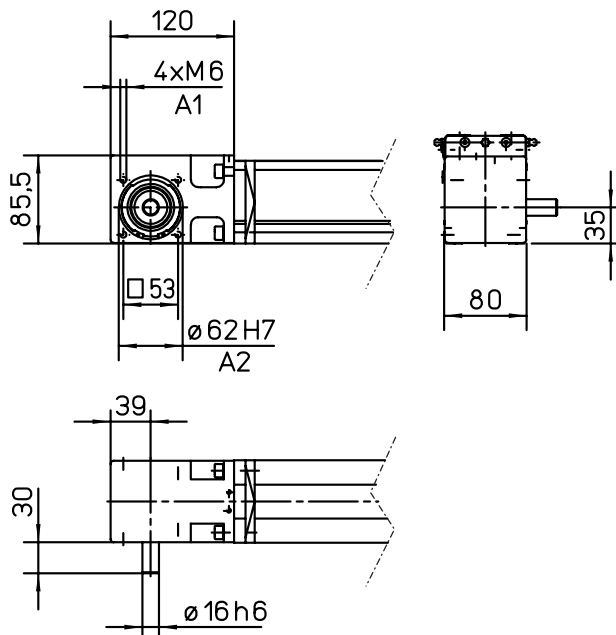
- » Ordering key - see page 185
- » Technical data - see page 76



A1: depth 15
A2: depth 4

WM80Z

- » Ordering key - see page 185
- » Technical data - see page 78



A1: depth 15
A2: depth 2,5

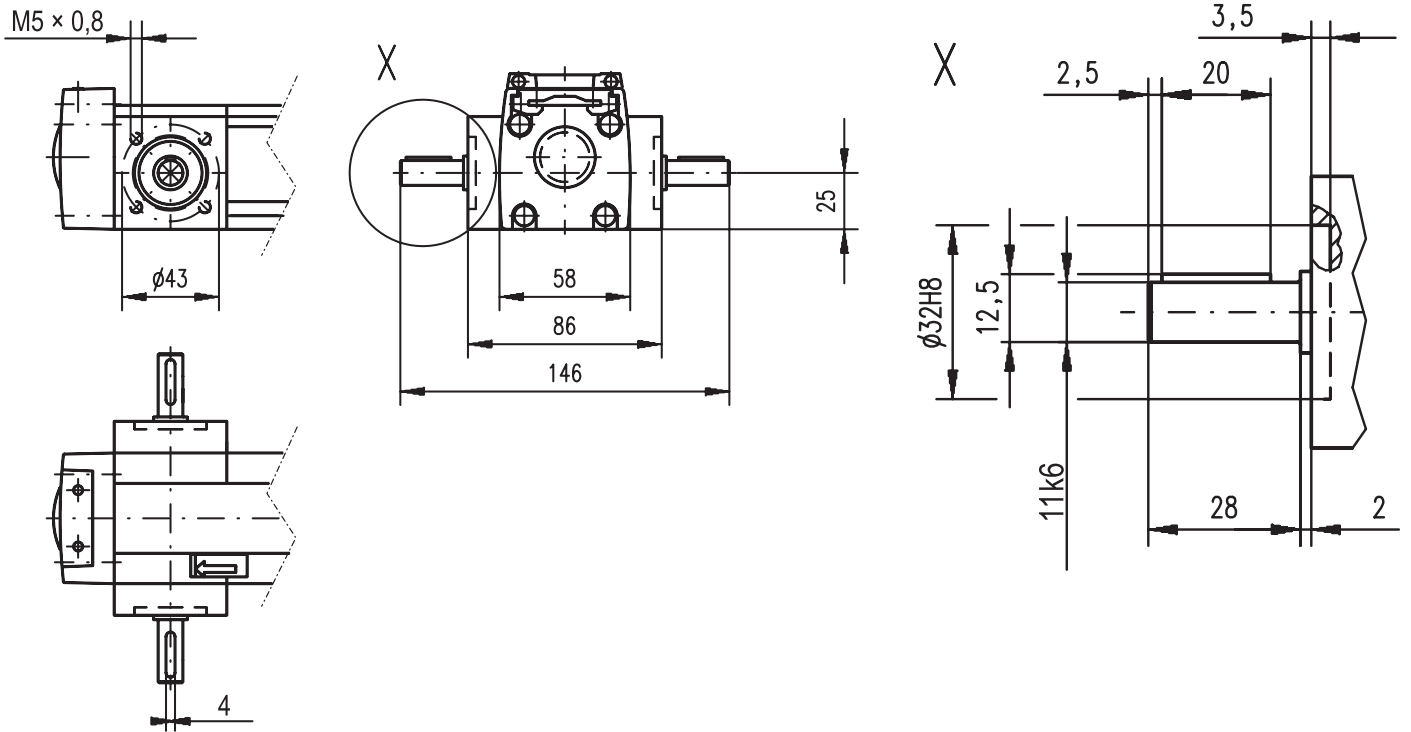
Accessories

Non-RediMount Linear Motion Systems

Dimensions	Projection	Online Sizing & Selection!
METRIC		www.LinearMotioneering.com

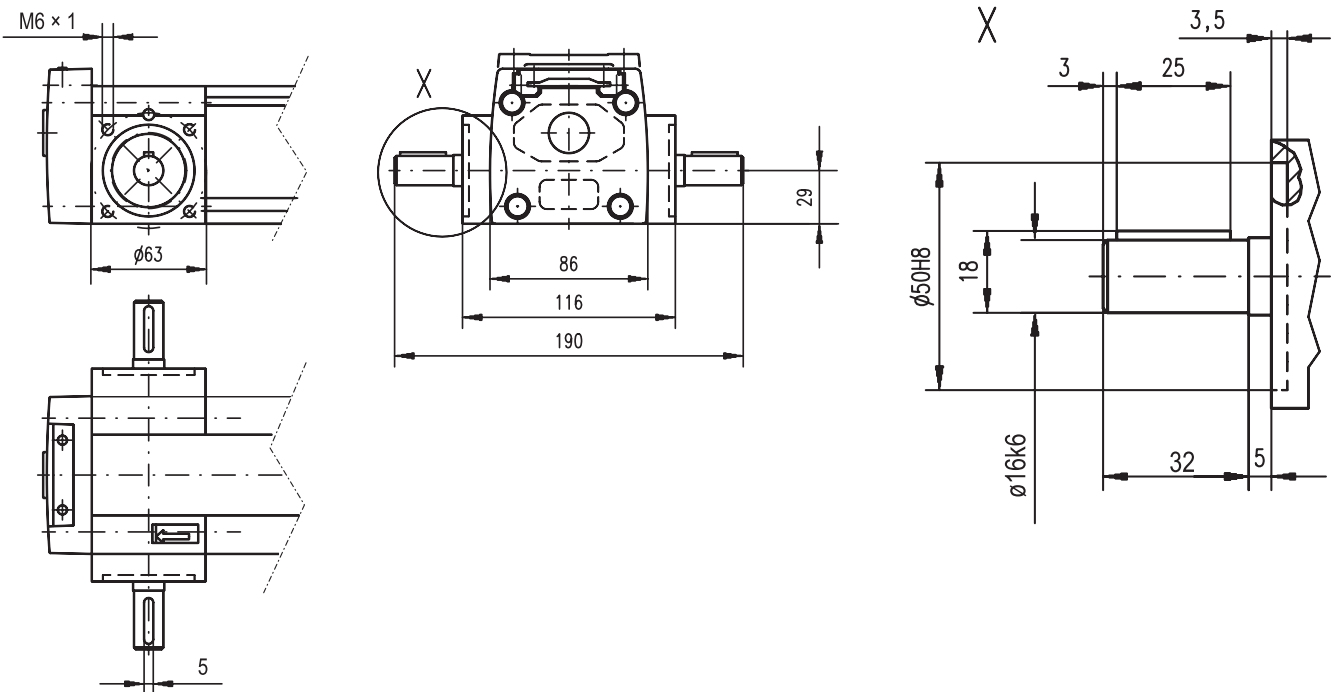
M55 with belt drive

» Ordering key - see page 186, 188
 » Technical data - see page 82, 94



M75 with belt drive

» Ordering key - see page 186, 188
 » Technical data - see page 84, 96



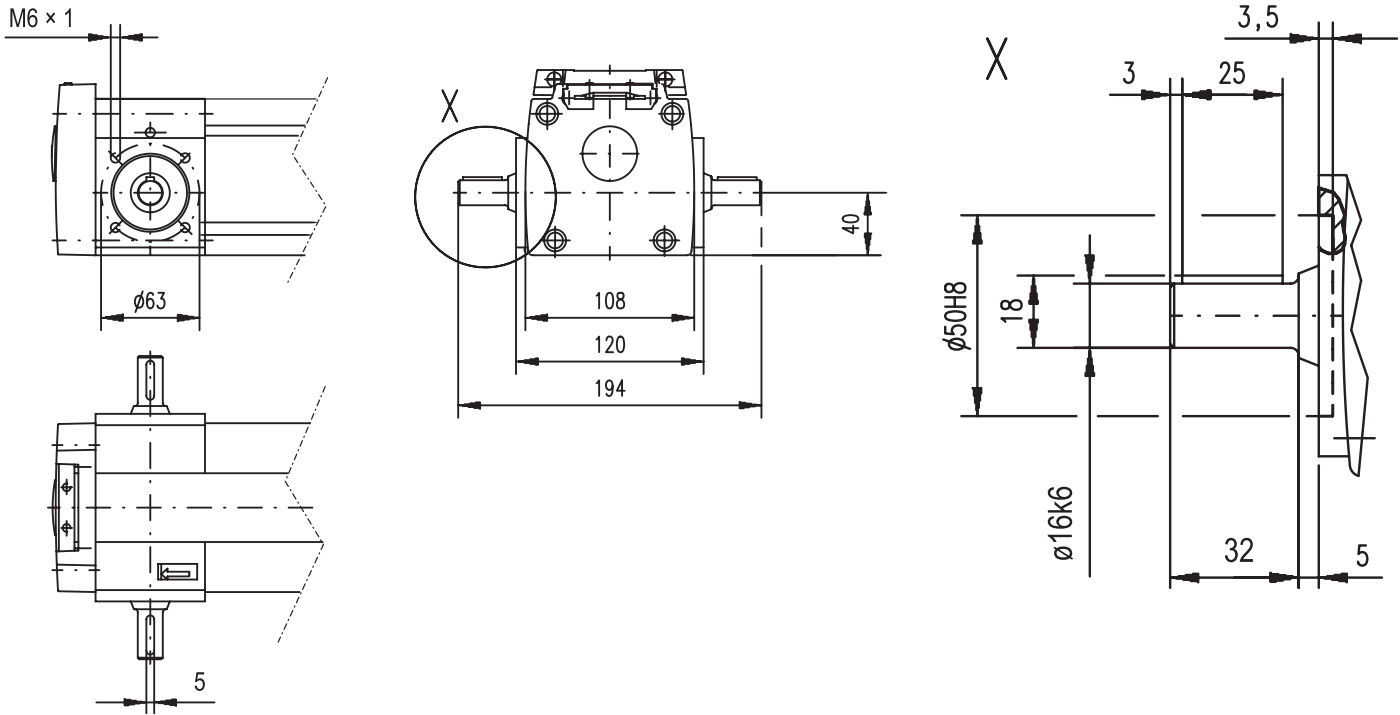
Accessories

Dimensions	Projection	Online Sizing & Selection!
METRIC		www.LinearMotioneering.com

Non-RediMount Linear Motion Systems

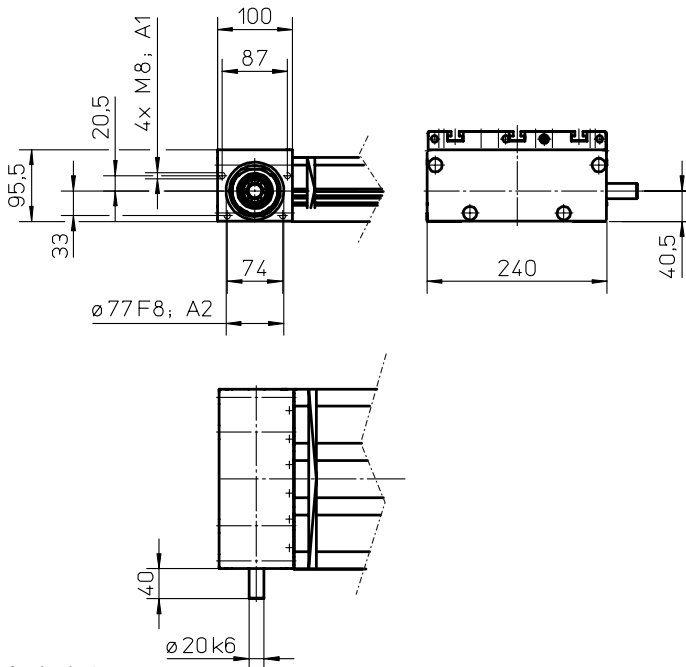
M100 with belt drive

» Ordering key - see page 186, 188
 » Technical data - see page 86, 98



MLSM80Z

» Ordering key - see page 187
 » Technical data - see page 88



A1: depth 18
 A2: depth 4

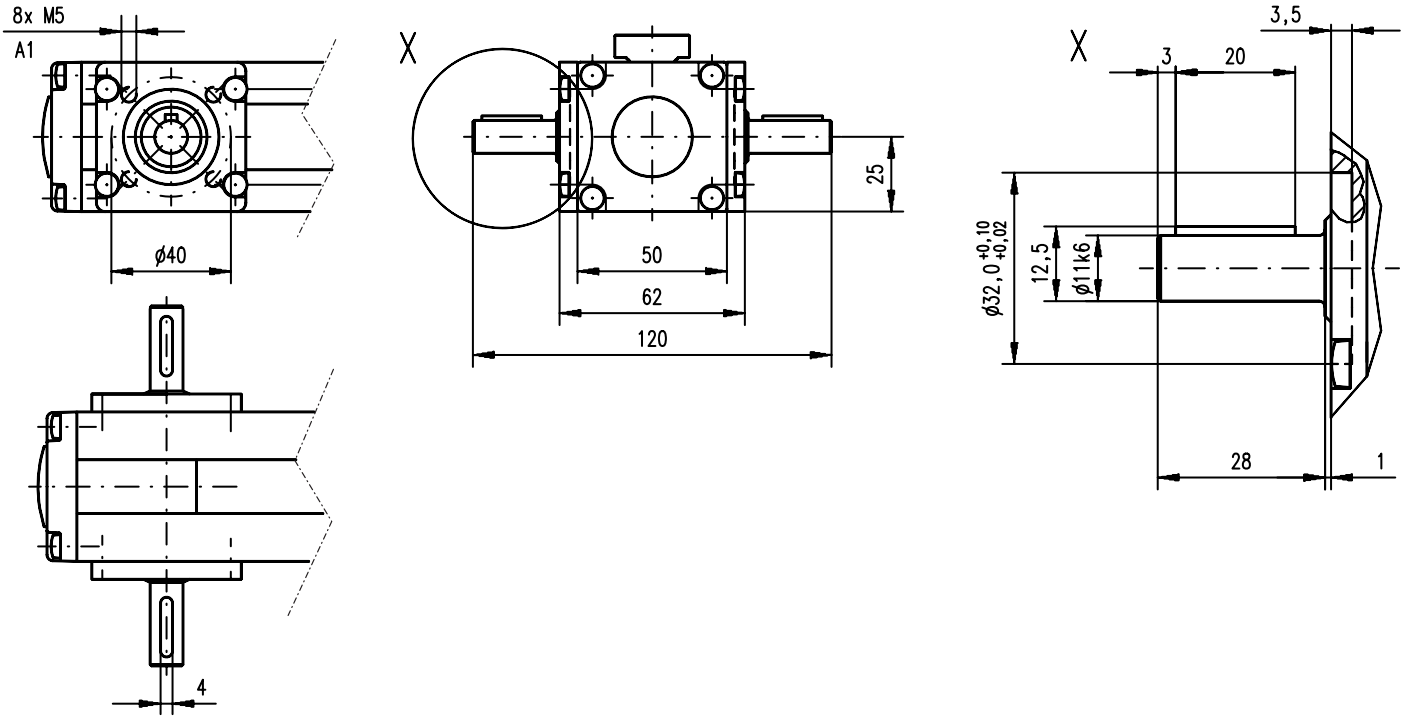
Accessories

Non-RediMount Linear Motion Systems

Dimensions	Projection	Online Sizing & Selection!
METRIC		www.LinearMotioneering.com

M50

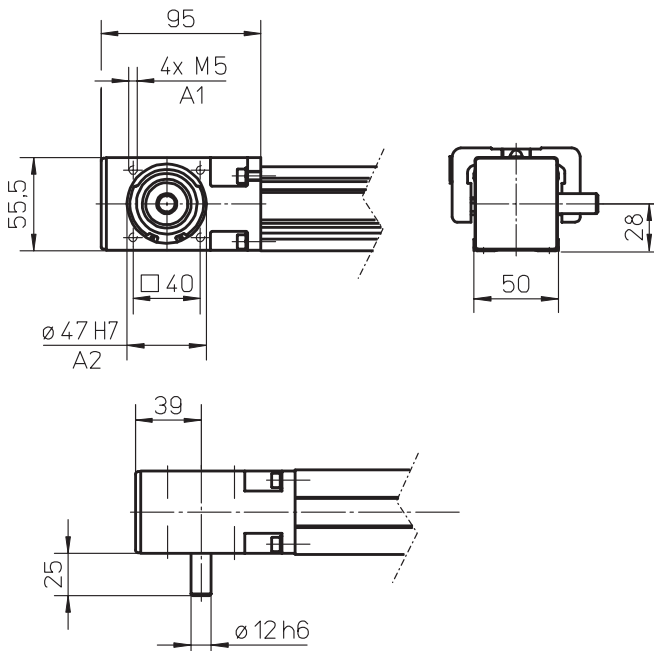
» Ordering key - see page 188
 » Technical data - see page 92



A1: depth 8,5

WH50

» Ordering key - see page 189
 » Technical data - see page 102



A1: depth 10
 A2: depth 3

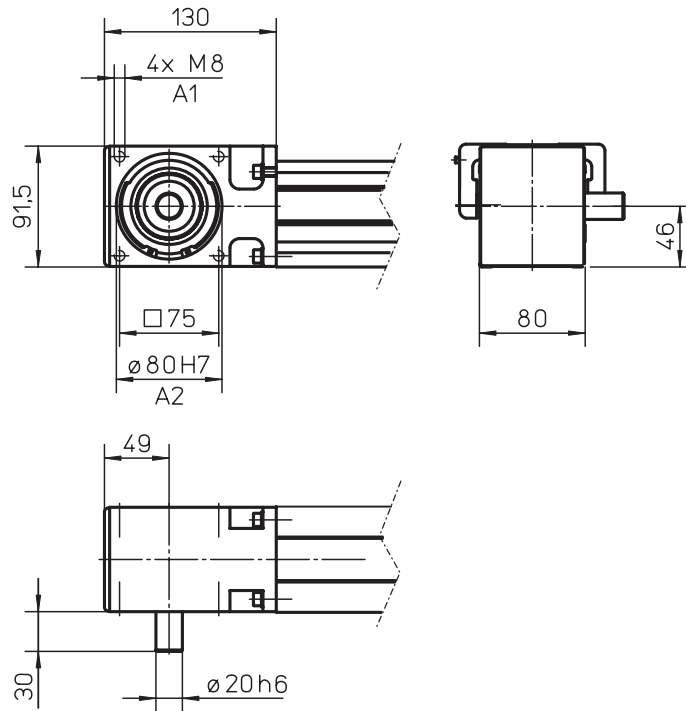
Accessories

Non-RediMount Linear Motion Systems

Dimensions	Projection	Online Sizing & Selection!
METRIC		www.LinearMotioneering.com

WH80

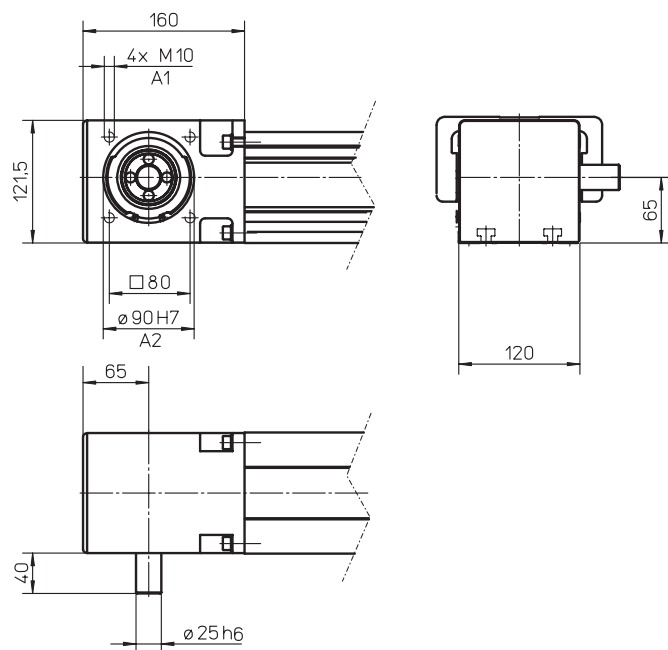
- » Ordering key - see page 189
- » Technical data - see page 104



A1: depth 16
A2: depth 2,5

WH120

- » Ordering key - see page 189
- » Technical data - see page 106



A1: depth 20
A2: depth 7

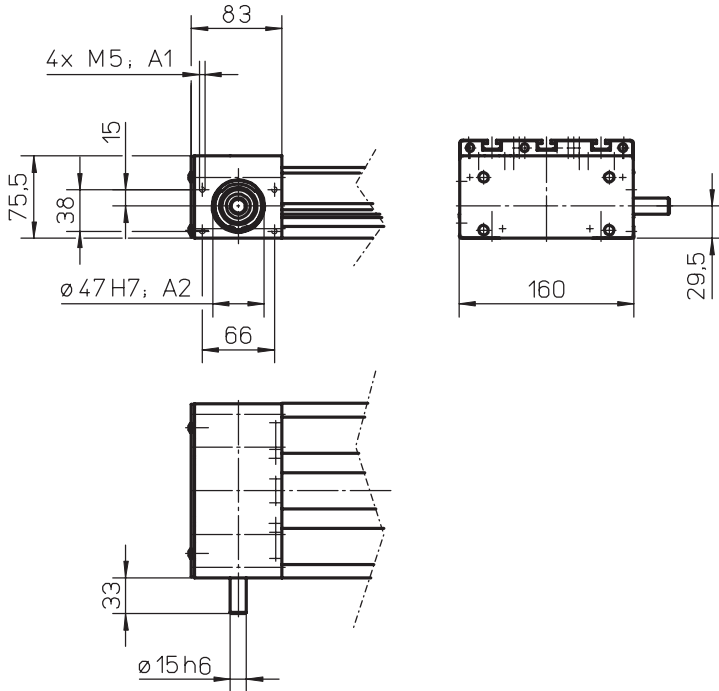
Accessories

Non-RediMount Linear Motion Systems

Dimensions	Projection	Online Sizing & Selection!
METRIC		www.LinearMotioneering.com

MLSH60Z

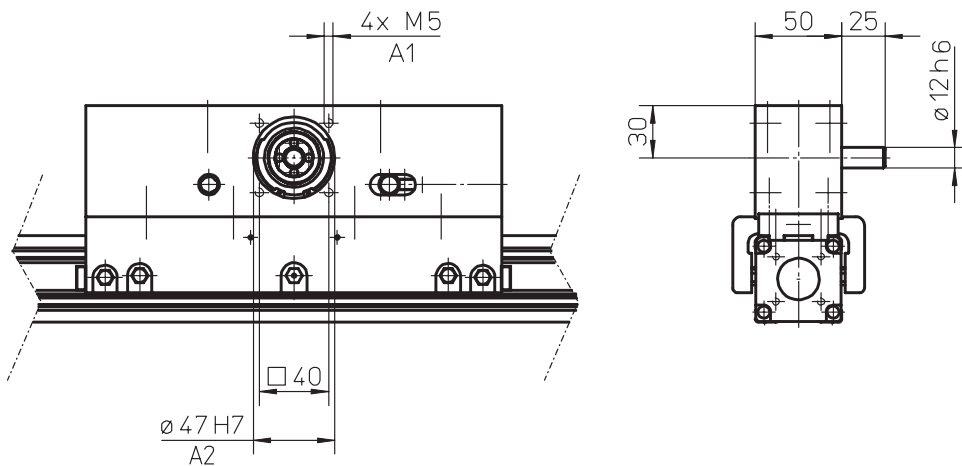
» Ordering key - see page 190
 » Technical data - see page 108



A1: depth 10
 A2: depth 4

WHZ50

» Ordering key - see page 191
 » Technical data - see page 112



A1: depth 12
 A2: depth 3,5

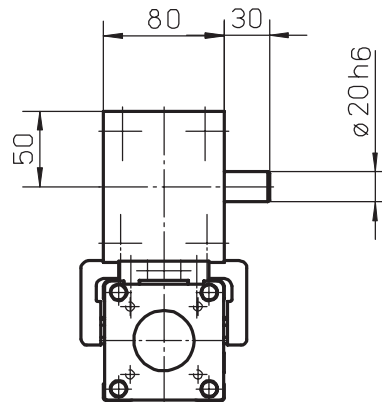
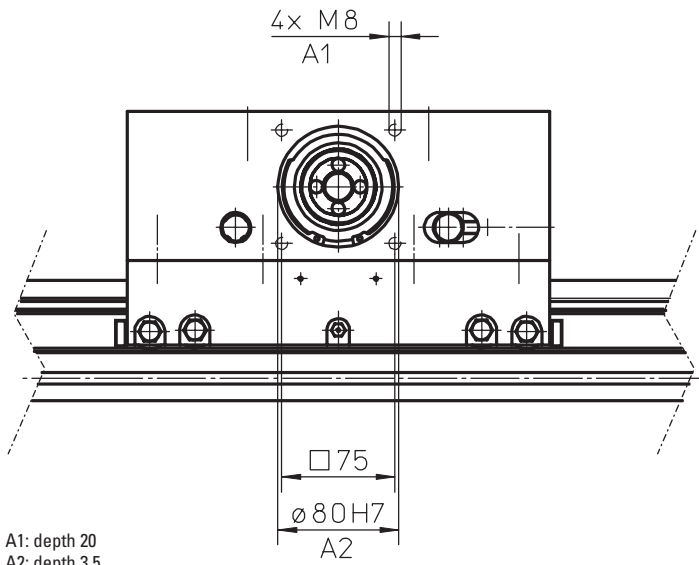
Accessories

Non-RediMount Linear Motion Systems

Dimensions	Projection	Online Sizing & Selection!
METRIC		www.LinearMotioneering.com

WHZ80

- » Ordering key - see page 191
- » Technical data - see page 114



Additional Technical Data

Linear Motion Systems with Lead or Ball Screw Drive and Ball Guides

Technical Data

Parameter	WM40S	WM40D	WM60D	WM60S	WM60X	WM80D	WM80S	WM120D
Geometrical moment of inertia of the profile (Iy) [mm ⁴]	10,8 × 10 ⁴	10,8 × 10 ⁴	5,8 × 10 ⁵	5,8 × 10 ⁵	5,8 × 10 ⁵	1,85 × 10 ⁶	1,85 × 10 ⁶	7,7 × 10 ⁶
Geometrical moment of inertia of the profile (Iz) [mm ⁴]	13,4 × 10 ⁴	13,4 × 10 ⁴	5,9 × 10 ⁵	5,9 × 10 ⁵	5,9 × 10 ⁵	1,94 × 10 ⁶	1,94 × 10 ⁶	9,4 × 10 ⁶
Friction factor of the guide system (μ)	0,05	0,05	0,1	0,1	0,1	0,1	0,1	0,1
Efficiency of the unit	0,8	0,8	0,8	0,8	0,8	0,8	0,8	0,8
Bending factor (b)	0,0003	0,0003	0,0003	0,0003	0,0003	0,0003	0,0003	0,0003
Inertia of ball screw (j _{sp}) [kgm ² /m]	1,13 × 10 ⁻⁵	1,13 × 10 ⁻⁵	8,46 × 10 ⁻⁵	8,46 × 10 ⁻⁵	8,46 × 10 ⁻⁵	2,25 × 10 ⁻⁴	2,25 × 10 ⁻⁴	6,34 × 10 ⁻⁴
Dynamic load rating of ball screw (C _x) [N]								
05 mm lead	4400	4400	10500	10500	10500	12300	12300	21500
10 mm lead	-	-	-	-	-	13200	13200	33400
20 mm lead	-	-	11600	11600	-	13000	13000	29700
40 mm lead	-	-	-	-	-	-	-	14900
50 mm lead	-	-	8400	8400	-	15400	15400	-
Dynamic load rating of ball guide (C _y) [N]	2 × 2650	2 × 2650	4 × 11495	2 × 12964	4 × 11495	4 × 14356	2 × 18723	4 × 18723
Dynamic load rating of ball guide (C _z) [N]	2 × 3397	2 × 3397	4 × 10581	2 × 11934	4 × 10581	4 × 13739	2 × 17919	4 × 17919
Distance between ball guide carriages (L _x) [mm]	87	136	141,7	-	141,7	154	-	186
Distance between ball guide carriages (L _y) [mm]	-	-	35	35	35	49,75	49,75	80,75

Parameter	WV60	WV80	WV120	MLSM60D	MLSM80D
Geometrical moment of inertia of the profile (Iy) [mm ⁴]	5,8 × 10 ⁵	1,85 × 10 ⁶	7,7 × 10 ⁶	1,19 × 10 ⁶	3,77 × 10 ⁶
Geometrical moment of inertia of the profile (Iz) [mm ⁴]	5,9 × 10 ⁵	1,94 × 10 ⁶	9,4 × 10 ⁶	1,08 × 10 ⁷	4,71 × 10 ⁷
Friction factor of the guide system (μ)	no guides	no guides	no guides	0,1	0,1
Efficiency of the unit	0,8	0,8	0,8	0,8	0,8
Bending factor (b)	0,0003	0,0003	0,0003	0,0003	0,0003
Inertia of ball screw (j _{sp}) [kgm ² /m]	8,46 × 10 ⁻⁵	2,25 × 10 ⁻⁴	6,34 × 10 ⁻⁴	2,25 × 10 ⁻⁴	6,34 × 10 ⁻⁴
Dynamic load rating of ball screw (C _x) [N]					
05 mm lead	10500	12300	21500	12300	21500
10 mm lead	-	13200	33400	13200	33400
20 mm lead	11600	13000	29700	13000	29700
25 mm lead	-	-	14900	-	-
40 mm lead	-	-	-	-	14900
50 mm lead	8400	15400	-	15400	-
Dynamic load rating of ball guide (C _y) [N]	no guides	no guides	no guides	4 × 13770	4 × 17965
Dynamic load rating of ball guide (C _z) [N]	no guides	no guides	no guides	4 × 13770	4 × 17965
Distance between ball guide carriages (L _x) [mm]	no guides	no guides	no guides	163	185
Distance between ball guide carriages (L _y) [mm]	no guides	no guides	no guides	105	164

Additional Technical Data

Linear Motion Systems with Ball Screw and Slide Guides

Technical Data		M55	M75	M100
Geometrical moment of inertia of the profile (Iy) [mm ⁴]		$4,27 \times 10^5$	$1,9 \times 10^6$	$5,54 \times 10^6$
Geometrical moment of inertia of the profile (Iz) [mm ⁴]		$3,4 \times 10^5$	$1,15 \times 10^6$	$3,86 \times 10^6$
Friction factor of the guide system (μ)		0,15	0,15	0,15
Efficiency ball nut unit		0,8	0,8	0,8
Efficiency composite nut unit		0,5	0,5	0,5
Bending factor (b)		0,0005	0,0005	0,0005
Inertia of ball screw (Jsp) [kgm ² /m]		$4,1 \times 10^{-5}$	$1,6 \times 10^{-4}$	$2,5 \times 10^{-4}$
Dynamic load rating of ball screw (Cx) [N]				
05 mm lead		9300	10400	12500
05,8 mm lead		5420	-	-
08 mm lead		-	-	-
10 mm lead		15400	-	20600
12,7 mm lead		-	17960	-
20 mm lead		1900	10400	-
25 mm lead		-	-	11800
32 mm lead		2000	-	-

Linear Motion Systems with Belt Drive and Ball Guides

Technical Data		WH40	WM60Z	WM80Z	M55	M75	M100	MLSM80Z
Geometrical moment of inertia of the profile (Iy) [mm ⁴]		$12,6 \times 10^4$	$5,62 \times 10^5$	$1,85 \times 10^6$	$4,59 \times 10^5$	$1,9 \times 10^6$	$5,54 \times 10^6$	$3,77 \times 10^6$
Geometrical moment of inertia of the profile (Iz) [mm ⁴]		$15,3 \times 10^4$	$5,94 \times 10^5$	$1,94 \times 10^6$	$3,56 \times 10^5$	$1,15 \times 10^6$	$3,86 \times 10^6$	$4,71 \times 10^7$
Friction factor of the guide system (μ)		0,05	0,1	0,1	0,02	0,02	0,02	0,1
Efficiency of the unit		0,85	0,85	0,85	0,95	0,95	0,95	0,85
Bending factor (b)		0,0005	0,0005	0,0005	0,0005	0,0005	0,0005	0,0005
Specific mass of belt [kg/m]		0,032	0,074	0,14	0,09	0,16	0,31	0,517
Inertia of pulleys (Jsyn) [kgm ²]		$8,8 \times 10^{-6}$	$2,13 \times 10^{-5}$	$1,12 \times 10^{-4}$	$1,7 \times 10^{-5}$	$6,8 \times 10^{-5}$	$8,5 \times 10^{-5}$	$5,077 \times 10^{-4}$
Dynamic load rating of ball guide (Cy) [N]		2×2650	2×12964	4×18723 (2×18723) ¹	2×2717	2×8206	2×13189	4×17965
Dynamic load rating of ball guide (Cz) [N]		2×3397	2×11934	4×13739 (2×17919)	2×3484	2×15484	2×24885	4×17965
Distance between ball guide carriages (Lx) [mm]		72	-	154 (-)	78	96	140	185
Distance between ball guide carriages (Ly) [mm]		-	35	49,75	-	-	-	164

¹ Value in brackets = for short carriage.

Additional Technical Data

Linear Motion Systems with Belt Drive and Slide Guides

Technical Data					
Parameter		M50	M55	M75	M100
Geometrical moment of inertia of the profile (I _y)	[mm ⁴]	$2,61 \times 10^5$	$4,59 \times 10^5$	$1,9 \times 10^6$	$5,54 \times 10^6$
Geometrical moment of inertia of the profile (I _z)	[mm ⁴]	$2,44 \times 10^5$	$3,56 \times 10^5$	$1,15 \times 10^6$	$3,86 \times 10^6$
Friction factor of the guide system (μ)		0,15	0,15	0,15	0,15
Efficiency of the unit		0,85	0,85	0,85	0,85
Bending factor (b)		0,0005	0,0005	0,0005	0,0005
Specific mass of belt	[kg/m]	0,086	0,09	0,16	0,31
Inertia of pulleys (J _{syn})	[kgm ²]	$3,1 \times 10^{-5}$	$1,7 \times 10^{-5}$	$6,8 \times 10^{-5}$	$8,5 \times 10^{-5}$

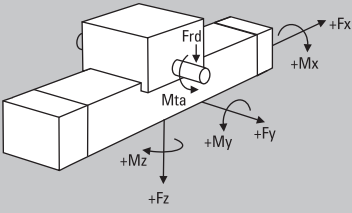
Linear Motion Systems with Belt Drive and Wheel Guides

Technical Data					
Parameter		WH50	WH80	WH120	MLSH60Z
Geometrical moment of inertia of the profile (I _y)	[mm ⁴]	$3,3 \times 10^5$	$1,93 \times 10^6$	$6,69 \times 10^6$	$1,29 \times 10^6$
Geometrical moment of inertia of the profile (I _z)	[mm ⁴]	$2,65 \times 10^5$	$1,8 \times 10^6$	$6,88 \times 10^6$	$1,2 \times 10^7$
Friction factor of the guide system (μ)		0,1	0,1	0,1	0,1
Efficiency of the unit		0,85	0,85	0,85	0,85
Bending factor (b)		0,0005	0,0005	0,0005	0,0005
Specific mass of belt	[kg/m]	0,055	0,21	0,34	0,119
Inertia of pulleys (J _{syn})	[kgm ²]	$1,928 \times 10^{-5}$	$2,473 \times 10^{-4}$	$1,004 \times 10^{-3}$	$4,604 \times 10^{-5}$
Dynamic load rating of wheel guide (C _y)	[N]	-	-	-	4×1266
Dynamic load rating of wheel guide (C _z)	[N]	4×1270	4×3670	4×16200	4×1266
Distance between carriage wheels (L _x)	[mm]	198	220	180	109
Distance between carriage wheels (L _y)	[mm]	39	65	97	102,5

Additional Technical Data

Linear Lifting Systems

Technical Data

Parameter		WHZ50	WHZ80
Geometrical moment of inertia of the profile (Ix)	[mm ⁴]	-	-
Geometrical moment of inertia of the profile (Iy)	[mm ⁴]	$3,3 \times 10^5$	$1,93 \times 10^6$
Geometrical moment of inertia of the profile (Iz)	[mm ⁴]	$2,65 \times 10^5$	$1,8 \times 10^6$
Dynamic load rating of ball screw (Fx)	[N]	belt drive	belt drive
Dynamic load rating of ball screw (Fz) ball screw ø 25 lead 10 mm ball screw ø 25 lead 25 mm ball screw ø 32 lead 10 mm	[N]		
Friction factor of the guide system (μ)		0,1	0,1
Efficiency of the unit		0,85	0,85
Specific mass of belt	[kg/m]	0,055	0,119
Inertia of pulleys (Jsyn)	[kgm ²]	$6,906 \times 10^{-5}$	$5,026 \times 10^{-4}$
Inertia of ball screw (jsp) ball screw ø 25 lead 10 ball screw ø 25 lead 25 ball screw ø 32 lead 10	[kgm ² /m]	- - -	- - -
Dynamic load rating of ball guide (Cx)	[N]	-	-
Dynamic load rating of ball guide (Cy)	[N]	4×1270	4×3670
Distance between ball guide carriages (Lx)	[mm]	198	220
Distance between ball guide carriages (Ly)	[mm]	39	65
Distance between ball guide carriages (Lz)	[mm]	-	-
Definition of forces			



Ordering Keys

Linear Motion Systems with Ball Screw Drive and Ball Guides

WM40S, WM40D, WM60S, WM60D, WM60X, WM80S, WM80D, WM120D

1	2	3	4	5	6	7	8	9	10
WM06D	20	LX	ZZ6	-02545	-03715	A	Z	0520	S1

1. Type of unit

WM04S = WM40S unit with single ball nut
 WM04D = WM40D unit with double ball nuts
 WM06S = WM60S unit with single ball nut
 WM06D = WM60D unit with double ball nuts
 WM06X = WM60X unit with left/right screw
 WM08S = WM80S unit with single ball nut
 WM08D = WM80D unit with double ball nuts
 WM12D = WM120D unit with double ball nuts

2. Screw lead¹

05 = 5 mm
 10 = 10 mm
 20 = 20 mm
 40 = 40 mm
 50 = 50 mm

3. Transmission type

LX = inline style, directly coupled, RediMount flange
 SX = inline style, directly coupled, no RediMount flange

4. RediMount motor ID code

vvw = alphanumeric motor code for suitable RediMount flange when motor is known
 999 = RediMount code used when motor is unknown
 XXX = for units without RediMount flange

5. Maximum stroke (S_{max})

- xxxxx = distance in mm

6. Total length of unit (L_{tot})

- yyyyy = distance in mm

7. Drive shaft / RediMount configuration²

A = single shaft without key way
 C = single shaft with key way or RediMount
 G = double shafts, first without key way and second for encoder
 I = double shafts, first with key way or RediMount and second for encoder³

8. Carriage configuration⁴

N = single standard carriage
 S = single short carriage
 L = single long carriage
 Z = double standard carriages
 Y = double short carriages
 M = double long carriages

9. Distance between double carriages (Lc)

0000 = always for single carriages
 zzzz = distance in mm

10. Protection option⁵

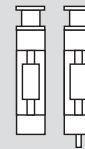
S1 = wash down protection (not available for WM04 units)

¹ See table below for available combinations of units and ball screw leads.

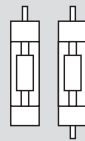
Type of unit	Available screw leads [mm]				
	5	10	20	40	50
WM04S	x				
WM04D	x				
WM06S	x		x		x
WM06D	x		x		x
WM06X	x				
WM08S	x	x	x		x
WM08D	x	x	x		x
WM12D	x	x	x	x	

² See below for the definition of shafts.

Single and double shafts with RediMount



Single and double shafts without RediMount



³ Drive shaft configuration I not available for WM 40.

⁴ See table below for available combinations of units and carriage types.

Type of unit	Available carriage types					
	N	S	L	Z	Y	M
WM04S	x			x		
WM04D			x			x
WM06S		x			x	
WM06D	x		x	x		
WM06X	x	x	x			
WM08S		x			x	
WM08D	x		x	x		
WM12D	x		x	x		

⁵ Leave position blank if no additional protection is required.

Note! for ordering of options type EN, ES, KR6, RT, ADG and MGK, see accessory index on page 131.

Ordering Keys

Linear Motion Systems with Ball Screw Drive and No Guides

WV60, WV80, WV120

1	2	3	4	5	6	7	8	9	10
WV08D	20	SX	XXX	-02745	-03295	G	N	0000	

1. Type of unit

WV06D = WV60 unit
 WV08D = WV80 unit
 WV12D = WV120 unit

2. Ball screw lead¹

05 = 5 mm
 10 = 10 mm
 20 = 20 mm
 40 = 40 mm
 50 = 50 mm

3. Transmission type

LX = inline style, directly coupled, RediMount flange
 SX = inline style, directly coupled, no RediMount flange

4. RediMount motor ID code

vvw = alphanumeric motor code for suitable RediMount flange when motor is known
 999 = RediMount code used when motor is unknown
 XXX = for units without RediMount flange

5. Maximum stroke (Smax)

- xxxxx = distance in mm

6. Total length of unit (L tot)

- yyyyy = distance in mm

7. Drive shaft / RediMount configuration²

A = single shaft without key way
 C = single shaft with key way or RediMount
 G = double shafts, first without key way and second for encoder
 I = double shafts, first with key way or RediMount and second for encoder³

8. Carriage configuration

N = single standard carriage

9. Distance between double carriages (Lc)

0000 = always for single carriages

10. Protection option³

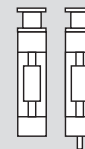
S1 = wash down protection

¹ See table below for available combinations of units and ball screw leads.

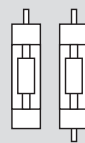
Type of unit	Available screw leads [mm]				
	5	10	20	40	50
WV06D	x		x		x
WV08D	x	x	x		x
WV12D	x	x	x	x	

² See below for the definition of shafts.

Single and double shafts with RediMount



Single and double shafts without RediMount

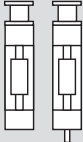
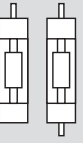


³ Leave position blank if no additional protection is required.

Note! for ordering of options type EN, ES, KRG, RT, ADG and MGK, see accessory index on page 131.

Ordering Keys

Linear Motion Systems with Lead or Ball Screw Drive and Ball Guides

MLSM60D, MLSM80D																															
1	2	3	4	5	6	7	8	9																							
MLSM06D	20	LX	PP1	-03800	-04645	C	L	0000																							
1. Type of unit MLSM06D = MLSM60 unit MLSM08D = MLSM80 unit			5. Maximum stroke (Smax) - xxxxx = distance in mm			¹ See table below for available combinations of units and ball screw leads. <table border="1" style="margin-top: 10px;"> <thead> <tr> <th rowspan="2">Type of unit</th> <th colspan="5">Available screw leads [mm]</th> </tr> <tr> <th>5</th> <th>10</th> <th>20</th> <th>40</th> <th>50</th> </tr> </thead> <tbody> <tr> <td>MLSM06D</td> <td>x</td> <td></td> <td>x</td> <td></td> <td>x</td> </tr> <tr> <td>MLSM08D</td> <td>x</td> <td>x</td> <td>x</td> <td>x</td> <td></td> </tr> </tbody> </table>			Type of unit	Available screw leads [mm]					5	10	20	40	50	MLSM06D	x		x		x	MLSM08D	x	x	x	x	
Type of unit	Available screw leads [mm]																														
	5	10	20	40	50																										
MLSM06D	x		x		x																										
MLSM08D	x	x	x	x																											
2. Ball screw lead 05 = 5 mm 10 = 10 mm 20 = 20 mm 40 = 40 mm 50 = 50 mm			6. Total length of unit (L tot) - yyyyy = distance in mm			² See below for the definition of shafts. <p>Single and double shafts with RediMount</p>  <p>Single and double shafts without RediMount</p> 																									
3. Transmission type LX = inline style, directly coupled, RediMount flange SX = inline style, directly coupled, no RediMount flange			7. Drive shaft / RediMount configuration² A = single shaft without key way C = single shaft with key way or RediMount G = double shafts, first without key way and second for encoder I = double shafts, first with key way or RediMount and second for encoder ³																												
4. RediMount motor ID code vvw = alphanumeric motor code for suitable RediMount flange when motor is known 999 = RediMount code used when motor is unknown XXX = for units without RediMount flange			8. Carriage configuration N = single standard carriage L = single long carriage Z = double standard carriages																												
			9. Distance between double carriages (Lc) 0000 = always for single carriages zzzz = distance in mm																												

Ordering Keys

Linear Motion Systems with Ball Screw Drive and Ball Guides

M55, M75, M100

1	2	3	4	5	6	7	8	9	10
MF07S	05	LX	MC8	-01000	-01500	X	N	0000	S1

1. Type of unit

MF06S = M55 unit, ball guides, ball screw
 MF07S = M75 unit, ball guides, ball screw
 MF10S = M100 unit, ball guides, ball screw

2. Screw lead and tolerance class¹

05 = 5 mm
 10 = 10 mm
 12 = 12,7 mm
 20 = 20 mm
 25 = 25 mm

3. Transmission type

LX = inline style, directly coupled,
 RediMount flange
 SX = inline style, directly coupled,
 no RediMount flange

4. RediMount motor ID code

vw = alphanumeric motor code for suitable
 RediMount flange when motor is known
 999 = RediMount code used when motor is
 unknown
 XXX = for units without RediMount flange

5. Maximum stroke (Smax)

- xxxxx = distance in mm

6. Total length of unit (L tot)

- yyyyy = distance in mm

7. Screw supports

X = no screw supports
 S = single screw supports
 D = double screw supports

8. Carriage configuration

N = single standard carriage
 Z = double standard carriages

9. Distance between carriages (Lc)

0000 = for all single standard carriage units
 zzzz = distance in mm between carriages

10. Protection option²

S1 = wash down protection

¹ See table below for available combinations of units and ball screw type, lead and tolerance.

Ball screw type	Type of unit		
	M55	M75	M100
05	x	x	x
10	x		x
12		x	
20	x	x	
25			x

² Leave position blank if no additional protection is required.



Ordering Keys

Linear Motion Systems with Lead or Ball Screw Drive and Ball Guides

2HB10, 2HB20

1	2	3	4	5	6	7	8	9	10	11
2HB10	H0	N1285	-038	N	001	A	0	A	0	0

1. Type of unit

2HB10 = 2HB10 unit

2HB20 = 2HB20 unit

2. Ball screw diameter, lead and nut type

G0 = 16 mm, 5 mm, preloaded (2HB10 only)

H0 = 16 mm, 10 mm, preloaded (2HB10 only)

L0 = 25 mm, 5 mm, preloaded (2HB20 only)

M0 = 25 mm, 10 mm, preloaded (2HB20 only)

N0 = 25 mm, 25 mm, preloaded (2HB20 only)

3. Ordering length (L)

N xxxxx = distance in mm

4. Y-distance

- 038 = standard distance in mm between motor end plate to first set of mounting holes on 2HB10

- 043 = standard distance in mm between motor end plate to first set of mounting holes on 2HB20

- yyy = custom distance in mm between motor end plate to first set of mounting holes

5. Brake option

N = no brake

B = brake

6. RediMount motor ID code

001 = NEMA 23

002 = NEMA 34

zzz = consult www.LinearMotioneering.com for complete list of available standard RediMount motor flanges

7. Ball guide rail coating option

A = standard

D = Duralloy

8. Ball guide carriage coating option

0 = standard

1 = Duralloy

9. Profile cover option

A = none

B = bellows (bellows will reduce stroke length app. 28%)

C = shrouds

10. Hardware option

0 = alloy plated

1 = stainless steel

11. Home and end of stroke sensor option

0 = no sensors

1 = home sensor, NPN type

2 = end of stroke sensors, NPN type

3 = home and end of stroke sensors, NPN type

4 = home sensor, PNP type

5 = end of stroke sensors, PNP type

6 = home and end of stroke sensors, PNP type

Ordering Keys

Linear Motion Systems with Lead or Ball Screw Drive and Ball Guides

2RB12, 2RB16

1	2	3	4	5	6	7	8	9	10	11
2RB12	J0	N1000	-100	N	002	B	0	A	0	0

1. Type of unit

2RB12 = 2RB12 unit

2RB16 = 2RB16 unit

2. Ball screw diameter, lead and nut type

G0 = 16 mm, 5 mm, preloaded (2RB12 only)

H0 = 16 mm, 10 mm, preloaded (2RB12 only)

I0 = 20 mm, 5 mm, preloaded (2RB16 only)

J0 = 20 mm, 10 mm, preloaded (2RB16 only)

K0 = 20 mm, 25 mm, preloaded (2RB16 only)

3. Ordering length (L)

N xxxx = distance in mm

4. Y-distance

- 075 = standard distance in mm between motor end plate to first set of mounting holes on 2RB12

- 100 = standard distance in mm between motor end plate to first set of mounting holes on 2RB16

- yyy = custom distance in mm between motor end plate to first set of mounting holes

5. Brake option

N = no brake

B = brake

6. RediMount motor ID code

001 = NEMA 23

002 = NEMA 34

zzz = consult www.LinearMotioneering.com for complete list of available standard RediMount motor flanges

7. Ball guide shaft coating option

A = standard, 60 Case

B = stainless steel (440C)

C = chrome plated

E = armoloy

8. Bearing option

0 = standard

1 = corrosion resistance

9. Profile cover option

A = none

B = bellows (bellows will reduce stroke length app. 28%)

10. Hardware option

0 = alloy plated

1 = stainless steel

11. Home and end of stroke sensor option

0 = no sensors

1 = home sensor, NPN type

2 = end of stroke sensors, NPN type

3 = home and end of stroke sensors, NPN type

4 = home sensor, PNP type

5 = end of stroke sensors, PNP type

6 = home and end of stroke sensors, PNP type



Ordering Keys

Linear Motion Systems with Lead or Ball Screw Drive and Ball Guides

2DB08, 2DB12, 2DB16

1	2	3	4	5	6	7	8	9	10	11
2DB12	F0	N0250	-300	N	002	A	0	A	0	0

1. Type of unit

2DB08 = 2DB08 unit

2DB12 = 2DB12 unit

2DB16 = 2DB16 unit

2. Screw type, diameter, lead and nut type

A0 = leadscrew, 0.375 in, 0.100 in, preloaded (2DB08 only)

B0 = leadscrew, 0.375 in, 0.250 in, preloaded (2DB08 only)

C0 = leadscrew, 0.375 in, 0.500 in, preloaded (2DB08 only)

D0 = leadscrew, 0.375 in, 0.750 in, preloaded (2DB08 only)

E0 = leadscrew, 0.375 in, 1.000 in, preloaded (2DB08 only)

F0 = ballscrew, 0.631 in, 0.200 in, non-preloaded (2DB12 only)

V0 = ballscrew, 0.631 in, 0.200 in, preloaded (2DB12 only)

QJ = ballscrew, 0.500 in, 0.500 in, preloaded (2DB12 only)

G0 = ballscrew, 0.750 in, 0.200 in, non-preloaded (2DB16 only)

W0 = ballscrew, 0.750 in, 0.200 in, preloaded (2DB16 only)

RJ = ballscrew, 0.750 in, 0.500 in, preloaded (2DB16 only)

LJ = ballscrew, 0.631 in, 1.0 in, preloaded (2DB16 only)

D0 = ballscrew, 20 mm, 5 mm, preloaded (2DB16 only)

3. Ordering length (L)

N xxxx = distance in inch (e.g. 0250 = 25 inch)

4. Y-distance

- 200 = standard distance in inch between motor end plate to first set of mounting holes for 2DB08 (e.g. 200 = 2 in)

- 300 = standard distance in inch between motor end plate to first set of mounting holes for 2DB12 and 2DB16 (e.g. 300 = 3 in)

- yyy = custom distance in inch between motor end plate to first set of mounting holes

5. Brake option

N = no brake

B = brake

6. RediMount motor ID code

001 = NEMA 23

002 = NEMA 34

zzz = consult www.LinearMotioneering.com for complete list of available standard RediMount motor flanges

7. Ball guide shaft coating option

A = standard, 60 Case

B = stainless steel (440C)

C = chrome plated

E = Armoloy

8. Bearing option

0 = standard

1 = corrosion resistance

9. Profile cover option

A = none

B = bellows (bellows will reduce stroke length app. 28%)

10. Hardware option

0 = alloy plated

1 = stainless steel

11. Home and end of stroke sensor option

0 = no sensors

7 = home

8 = ends of travel

9 = both

Ordering Keys

Linear Motion Systems with Ball Screw Drive and Slide Guides

M55, M75, M100

1	2	3	4	5	6	7	8	9	10
MG07S	05	LX	PP2	-01000	-01500	X	N	0000	S1

1. Type of unit

MG06S = M55 unit, slide guides, ball screw
 MG07S = M75 unit, slide guides, ball screw
 MG10S = M100 unit, slide guides, ball screw

2. Screw lead and tolerance class¹

05 = 5 mm
 10 = 10 mm
 12 = 12,7 mm
 20 = 20 mm
 25 = 25 mm

3. Transmission type

LX = inline style, directly coupled,
 RediMount flange
 SX = inline style, directly coupled,
 no RediMount flange

4. RediMount motor ID code

vwv = alphanumeric motor code for suitable
 RediMount flange when motor is known
 999 = RediMount code used when motor is
 unknown
 XXX = for units without RediMount flange

5. Maximum stroke (Smax)

- xxxxx = distance in mm

6. Total length of unit (L tot)

- yyyyy = distance in mm

7. Screw supports

X = no screw supports
 S = single screw supports
 D = double screw supports

8. Carriage configuration

N = single standard carriage
 Z = double standard carriages

9. Distance between carriages (Lc)

0000 = for all single standard carriage units
 zzzz = distance in mm between carriages

10. Protection option²

S1 = wash down protection

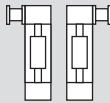
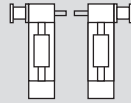
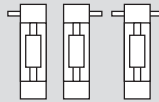
¹ See table below for available combinations of units and ball screw type, lead and tolerance.

Ball screw type	Type of unit		
	M55	M75	M100
05	x	x	x
10	x		x
12		x	
20	x	x	
25			x

² Leave position blank if no additional protection is required.

Ordering Keys

Linear Motion Systems with Belt Drive and Ball Guides

WH40							
1	2	3	4	5	6	7	8
WH04Z	LX	FB7	-01400	-01755	H	L	0400
<p>1. Type of unit WH04Z = WH40 unit</p> <p>2. Transmission type LX = inline style, directly coupled, RediMount flange SX = inline style, directly coupled, no RediMount flange</p> <p>3. RediMount motor ID code vvw = alphanumeric motor code for suitable RediMount flange when motor is known 999 = RediMount code used when motor is unknown XXX = for units without RediMount flange</p> <p>4. Maximum stroke (Smax) - xxxxx = distance in mm</p> <p>5. Total length of unit (L tot) - yyyyy = distance in mm</p> <p>6. Drive shaft / RediMount flange configuration¹ A = shaft on left side without key way B = shaft on right side without key way C = shaft on left side with key way or RediMount D = shaft on right side with key way or RediMount E = shaft on left side without key way, shaft on right side with key way or RediMount F = shaft on left side with key way or RediMount, shaft on right side without key way G = shaft on left side without key way, shaft on right side for encoder H = shaft on left side for encoder, shaft on right side without key way I = shaft on left side with key way or RediMount, shaft on right side for encoder J = shaft on left side for encoder, shaft on right side with key way or RediMount L = shaft on left and right side without key way M = shaft on left side with key way or RediMount, shaft on right side with key way N = shaft on left side with key way, shaft on right side with key way or RediMount W = hollow shaft on both sides with clamping unit</p>				<p>7. Carriage configuration N = single standard carriage L = single long carriage Z = double standard carriages</p> <p>8. Distance between double carriages (Lc) 0000 = always for single carriages zzzz = distance in mm</p> <p>¹ See below for the definition of shafts. Left, right or both sides with shafts with RediMount</p>  <p>Left or right with RediMount and other side a shaft without RediMount</p>  <p>Left or right without RediMount</p> 			

Note! for ordering of options type EN, ES, KR6, RT, ADG and MGK, see accessory index on page 131.

Ordering Keys

Linear Motion Systems with Belt Drive and Ball Guides

WM60Z, WM80Z

1	2	3	4	5	6	7	8
WM06Z	LX	AG5	-01400	-01755	H	L	0400

1. Type of unit

WM06Z = WM60Z unit

WM08Z = WM80Z unit

2. Transmission type

LX = inline style, directly coupled, RediMount flange

SX = inline style, directly coupled, no RediMount flange

3. RediMount motor ID code

vvw = alphanumeric motor code for suitable RediMount flange when motor is known

999 = RediMount code used when motor is unknown

XXX = for units without RediMount flange

4. Maximum stroke (Smax)

- xxxxx = distance in mm

5. Total length of unit (L tot)

- yyyyy = distance in mm

6. Drive shaft / RediMount flange configuration¹

- A = shaft on left side without key way
- B = shaft on right side without key way
- C = shaft on left side with key way or RediMount
- D = shaft on right side with key way or RediMount
- E = shaft on left side without key way, shaft on right side with key way or RediMount
- F = shaft on left side with key way or RediMount, shaft on right side without key way
- G = shaft on left side without key way, shaft on right side for encoder
- H = shaft on left side for encoder, shaft on right side without key way
- I = shaft on left side with key way or RediMount, shaft on right side for encoder
- J = shaft on left side for encoder, shaft on right side with key way or RediMount
- L = shaft on left and right side without key way
- M = shaft on left side with key way or RediMount, shaft on right side with key way
- N = shaft on left side with key way, shaft on right side with key way or RediMount
- W = hollow shaft on both sides with clamping unit

7. Carriage configuration²

N = single standard carriage

S = single short carriage

L = single long carriage

Z = double standard carriages

Y = double short carriages

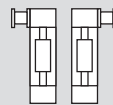
8. Distance between double carriages (Lc)

0000 = always for single carriages

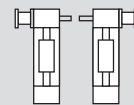
zzzz = distance in mm

¹ See below for the definition of shafts.

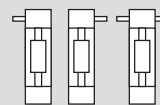
Left, right or both sides with shafts with RediMount



Left or right with RediMount and other side a shaft without RediMount



Left or right without RediMount



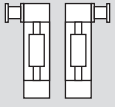
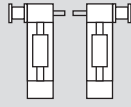
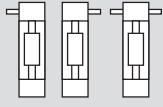
² See table below for available combinations of units and carriage types.

Type of unit	Available carriage types				
	N	S	L	Z	Y
WM06Z		x			x
WM08Z	x	x	x	x	x

Note! for ordering of options type EN, ES, KRG, RT, ADG and MGK, see accessory index on page 131.

Ordering Keys

Linear Motion Systems with Belt Drive and Ball Guides

M55, M75, M100								
1	2	3	4	5	6	7	8	9
MF10B	LX	999	-01000	-01500	D	N	0000	S1
<p>1. Type of unit MF06B = M55 unit, ball guides, belt drive MF07B = M75 unit, ball guides, belt drive MF10B = M100 unit, ball guides, belt drive</p> <p>2. Transmission type LX = inline style, directly coupled, RediMount flange SX = inline style, directly coupled, no RediMount flange</p> <p>3. RediMount motor ID code vvw = alphanumeric motor code for suitable RediMount flange when motor is known 999 = RediMount code used when motor is unknown XXX = for units without RediMount flange</p> <p>4. Maximum stroke (Smax) - xxxxx = distance in mm</p> <p>5. Total length of unit (L tot) - yyyyy = distance in mm</p>					<p>6. Drive shaft / RediMount flange configuration¹ C = shaft on left side with key way or RediMount D = shaft on right side with key way or RediMount M = shaft on left side with key way or RediMount, shaft on right side with key way N = shaft on left side with key way, shaft on right side with key way or RediMount</p> <p>7. Carriage configuration N = single standard carriage Z = double standard carriages</p> <p>8. Distance between carriages (Lc) 0000 = for all single standard carriage units zzzz = distance in mm between carriages</p> <p>9. Protection option S1 = wash down protection (blank if no protection option required).</p> <p>¹ See below for the definition of shafts. Left, right or both sides with shafts with RediMount</p>  <p>Left or right with RediMount and other side a shaft without RediMount</p>  <p>Left or right without RediMount</p> 			

Ordering Keys

Linear Motion Systems with Belt Drive and Ball Guides

MLSM80Z

1	2	3	4	5	6	7	8
MLSM08Z	SX	XXX	-03800	-04645	C	L	0000

1. Type of unit

MLSM08Z = MLSM80 unit

2. Transmission type

LX = inline style, directly coupled, RediMount flange

SX = inline style, directly coupled, no RediMount flange

3. RediMount motor ID code

vww = alphanumeric motor code for suitable RediMount flange when motor is known

999 = RediMount code used when motor is unknown

XXX = for units without RediMount flange

4. Maximum stroke (Smax)

- xxxxx = distance in mm

5. Total length of unit (L tot)

- yyyyy = distance in mm

6. Drive shaft / RediMount flange configuration¹

A = shaft on left side without key way

B = shaft on right side without key way

C = shaft on left side with key way or RediMount

D = shaft on right side with key way or RediMount

E = shaft on left side without key way,
shaft on right side with key way or RediMount

F = shaft on left side with key way or RediMount,
shaft on right side without key way

G = shaft on left side without key way,
shaft on right side for encoder

H = shaft on left side for encoder,
shaft on right side without key way

I = shaft on left side with key way or RediMount,
shaft on right side for encoder

J = shaft on left side for encoder,
shaft on right side with key way or RediMount

L = shaft on left and right side without key way

M = shaft on left side with key way or RediMount,
shaft on right side with key way

N = shaft on left side with key way,
shaft on right side with key way or RediMount

W = hollow shaft on both sides with clamping unit

7. Carriage configuration

N = single standard carriage

L = single long carriage

Z = double standard carriages

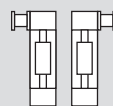
8. Distance between double carriages

0000 = always for single carriages

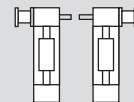
zzzz = distance in mm

¹ See below for the definition of shafts.

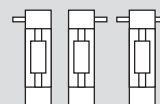
Left, right or both sides with shafts with RediMount



Left or right with RediMount and other side a shaft without RediMount

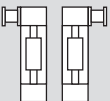
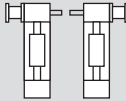
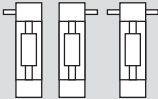


Left or right without RediMount



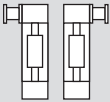
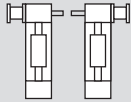
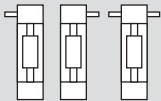
Ordering Keys

Linear Motion Systems with Belt Drive and Slide Guides

M50, M55, M75, M100								
1	2	3	4	5	6	7	8	9
MG07B	LX	DE5	-01000	-01500	D	N	0000	S1
<p>1. Type of unit MG05B = M50 unit, slide guides, belt drive MG06B = M55 unit, slide guides, belt drive MG07B = M75 unit, slide guides, belt drive MG10B = M100 unit, slide guides, belt drive</p> <p>2. Transmission type LX = inline style, directly coupled, RediMount flange SX = inline style, directly coupled, no RediMount flange</p> <p>3. RediMount motor ID code vvw = alphanumeric motor code for suitable RediMount flange when motor is known 999 = RediMount code used when motor is unknown XXX = for units without RediMount flange</p> <p>4. Maximum stroke (Smax) - xxxxx = distance in mm</p> <p>5. Total length of unit (L tot) - yyyyy = distance in mm</p>					<p>6. Drive shaft / RediMount flange configuration¹ C = shaft on left side with key way or RediMount D = shaft on right side with key way or RediMount M = shaft on left side with key way or RediMount, shaft on right side with key way N = shaft on left side with key way, shaft on right side with key way or RediMount</p> <p>7. Carriage configuration N = single standard carriage Z = double standard carriages (not possible for MG05B)</p> <p>8. Distance between carriages (Lc) 0000 = for all single standard carriage units zzzz = distance in mm between carriages (not possible for MG05B)</p> <p>9. Protection option² S1 = wash down protection (not possible for MG05B) S2 = enhanced wash down protection (not possible for MG05B)</p> <p>¹ See below for the definition of shafts. Left, right or both sides with shafts with RediMount</p>  <p>Left or right with RediMount and other side a shaft without RediMount</p>  <p>Left or right without RediMount</p>  <p>² Leave position blank if no additional protection is required.</p>			

Ordering Keys

Linear Motion Systems with Belt Drive and Wheel Guides

WH50, WH80, WH120								
1	2	3	4	5	6	7	8	9
WH08Z	LX	BT8	-02300	-02710	N	L	0000	S2
<p>1. Type of unit WH05Z = WH50 unit WH08Z = WH80 unit WH12Z = WH120 unit</p> <p>2. Transmission type LX = inline style, directly coupled, RediMount flange SX = inline style, directly coupled, no RediMount flange</p> <p>3. RediMount motor ID code vvv = alphanumeric motor code for suitable RediMount flange when motor is known 999 = RediMount code used when motor is unknown XXX = for units without RediMount flange</p> <p>4. Maximum stroke (Smax) - xxxxx = distance in mm</p> <p>5. Total length of unit (L tot) - yyyyy = distance in mm</p>			<p>6. Drive shaft / RediMount flange configuration¹ A = shaft on left side without key way B = shaft on right side without key way C = shaft on left side with key way or RediMount D = shaft on right side with key way or RediMount E = shaft on left side without key way, shaft on right side with key way or RediMount F = shaft on left side with key way or RediMount, shaft on right side without key way G = shaft on left side without key way, shaft on right side for encoder H = shaft on left side for encoder, shaft on right side without key way I = shaft on left side with key way or RediMount, shaft on right side for encoder J = shaft on left side for encoder, shaft on right side with key way or RediMount K = hollow shaft on both sides without clamping unit L = shaft on left and right side without key way M = shaft on left side with key way or RediMount, shaft on right side with key way N = shaft on left side with key way, shaft on right side with key way or RediMount V = hollow shaft on both sides for Micron DT/DTR planetary gear option W = hollow shaft on both sides with clamping unit</p>			<p>7. Carriage configuration N = single standard carriage L = single long carriage Z = double standard carriages</p> <p>8. Distance between double carriages 0000 = always for single carriages zzzz = distance in mm</p> <p>9. Protection option² S1 = wash down protection S2 = enhanced wash down protection</p> <p>¹ See below for the definition of shafts. Left, right or both sides with shafts with RediMount</p>  <p>Left or right with RediMount and other side a shaft without RediMount</p>  <p>Left or right without RediMount</p>  <p>² Leave position blank if no additional protection is required.</p>		

Note! for ordering of options type EN, ES, KRG, RT, ADG and MGK, see accessory index on page 131.

Ordering Keys

Linear Motion Systems with Belt Drive and Wheel Guides

MLSH60Z

1	2	3	4	5	6	7	8
MLSH06Z	SX	XXX	-04500	-05580	D	D	0600

1. Type of unit

MLSH06Z = MSLH60 unit

2. Transmission type

LX = inline style, directly coupled, RediMount flange

SX = inline style, directly coupled, no RediMount flange

3. RediMount motor ID code

vvw = alphanumeric motor code for suitable RediMount flange when motor is known

999 = RediMount code used when motor is unknown

XXX = for units without RediMount flange

4. Maximum stroke (Smax)

- xxxxx = distance in mm

5. Total length of unit (L tot)

- yyyyy = distance in mm

6. Drive shaft / RediMount flange configuration¹

A = shaft on left side without key way

B = shaft on right side without key way

C = shaft on left side with key way or RediMount

D = shaft on right side with key way or RediMount

E = shaft on left side without key way,
shaft on right side with key way or RediMount

F = shaft on left side with key way or RediMount,
shaft on right side without key way

G = shaft on left side without key way,
shaft on right side for encoder

H = shaft on left side for encoder,
shaft on right side without key way

I = shaft on left side with key way or RediMount,
shaft on right side for encoder

J = shaft on left side for encoder,
shaft on right side with key way or RediMount

L = shaft on left and right side without key way

M = shaft on left side with key way or RediMount,
shaft on right side with key way

N = shaft on left side with key way,
shaft on right side with key way or RediMount

7. Carriage configuration

N = single standard carriage

L = single long carriage

Z = double standard carriages

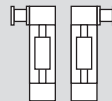
8. Distance between double carriages

0000 = always for single carriages

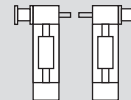
zzzz = distance in mm

¹ See below for the definition of shafts.

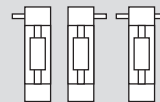
Left, right or both sides with shafts with RediMount



Left or right with RediMount and other side a shaft without RediMount



Left or right without RediMount



Ordering Keys

Linear Lifting Units

WHZ50, WHZ80

1	2	3	4	5	6	7	8	9
WHZ05Z	LX	KB5	-01000	-01410	A	N	0000	

1. Type of unit

WHZ05Z = WHZ50 unit

WHZ08Z = WHZ80 unit

2. Transmission type

LX = inline style, directly coupled, RediMount flange

SX = inline style, directly coupled, no RediMount flange

3. RediMount motor ID code

vww = alphanumeric motor code for suitable RediMount flange when motor is known

999 = RediMount code used when motor is unknown

XXX = for units without RediMount flange

4. Maximum stroke (Smax)

- xxxxx = distance in mm

5. Total length of unit (L tot)

- yyyyy = distance in mm

6. Drive shaft / RediMount flange configuration¹

A = shaft on left side without key way

B = shaft on right side without key way

C = shaft on left side with key way or RediMount

D = shaft on right side with key way or RediMount

E = shaft on left side without key way, shaft on right side with key way or RediMount

F = shaft on left side with key way or RediMount, shaft on right side without key way

G = shaft on left side without key way, shaft on right side for encoder

H = shaft on left side for encoder, shaft on right side without key way

I = shaft on left side with key way or RediMount, shaft on right side for encoder

J = shaft on left side for encoder, shaft on right side with key way or RediMount

L = shaft on left and right side without key way

M = shaft on left side with key way or RediMount, shaft on right side with key way

N = shaft on left side with key way, shaft on right side with key way or RediMount

Mount

V = hollow shaft on both sides for Micron DT/DTR planetary gear option

W = hollow shaft on both sides with clamping unit

7. Carriage configuration

N = single standard carriage

L = single long carriage

Z = double standard carriages

8. Distance between double carriages

0000 = always for single carriages

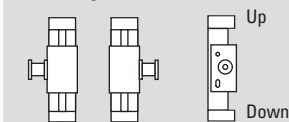
zzzz = distance in mm

9. Protection option²

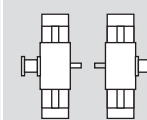
S1 = wash down protection

¹ See below for the definition of shafts.

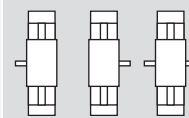
Left or right with RediMount



Left or right with RediMount and other side a shaft without RediMount



Left, right or both sides with shafts without RediMount



² Blank if no additional protection is required.

Note! for ordering of options type EN, ES, KRG, RT, ADG and MGK, see accessory index on page 131.



Ordering Keys

Non-driven Linear Motion Systems

WH40N, WH50N, WH80N, WH120N							
1	2	3	4	5	6	7	8
WH04N00	SX	XXX	-04500	-04640	K	L	0000
1. Type of unit WH04N00 = WH40N unit WH05N00 = WH50N unit WH08N00 = WH80N unit WH12N00 = WH120N unit 2. Transmission type SX = inline style, directly coupled, no RediMount flange 3. RediMount motor ID code XXX = for units without RediMount flange			4. Maximum stroke (Smax) - xxxxx = distance in mm 5. Total length of unit (L tot) - yyyyy = distance in mm 6. Drive shaft / RediMount flange configuration K = no shaft or RediMount flange		7. Carriage configuration N = single standard carriage L = single long carriage Z = double standard carriages 8. Distance between double carriages 0000 = always for single carriages zzzz = distance in mm		

WM40N, WM60N, WM80N, WM120N																																										
1	2	3	4	5	6	7	8																																			
WM08N00	SX	XXX	-07100	-07210	K	N	0000																																			
1. Type of unit WM04N00 = WM40N unit WM06N00 = WM60N unit WM08N00 = WM80N unit WM12N00 = WM120N unit 2. Transmission type SX = inline style, directly coupled, no RediMount flange 3. RediMount motor ID code XXX = for units without RediMount flange			4. Maximum stroke (Smax) - xxxxx = distance in mm 5. Total length of unit (L tot) - yyyyy = distance in mm 6. Drive shaft / RediMount flange configuration K = no shaft or RediMount flange 7. Carriage configuration¹ N = single standard carriage S = single short carriage L = single long carriage Z = double standard carriages Y = double short carriages		8. Distance between double carriages 0000 = always for single carriages zzzz = distance in mm <table border="1"> <thead> <tr> <th rowspan="2">Type of unit</th> <th colspan="5">Available carriage types</th> </tr> <tr> <th>N</th> <th>S</th> <th>L</th> <th>Z</th> <th>Y</th> </tr> </thead> <tbody> <tr> <td>WM04N</td> <td>x</td> <td></td> <td>x</td> <td>x</td> <td></td> </tr> <tr> <td>WM06N</td> <td>x</td> <td>x</td> <td>x</td> <td>x</td> <td>x</td> </tr> <tr> <td>WM08N</td> <td>x</td> <td>x</td> <td>x</td> <td>x</td> <td>x</td> </tr> <tr> <td>WM12N</td> <td>x</td> <td></td> <td>x</td> <td>x</td> <td></td> </tr> </tbody> </table>			Type of unit	Available carriage types					N	S	L	Z	Y	WM04N	x		x	x		WM06N	x	x	x	x	x	WM08N	x	x	x	x	x	WM12N	x		x	x	
Type of unit	Available carriage types																																									
	N	S	L	Z	Y																																					
WM04N	x		x	x																																						
WM06N	x	x	x	x	x																																					
WM08N	x	x	x	x	x																																					
WM12N	x		x	x																																						

Ordering Keys

Non-driven Linear Motion Systems

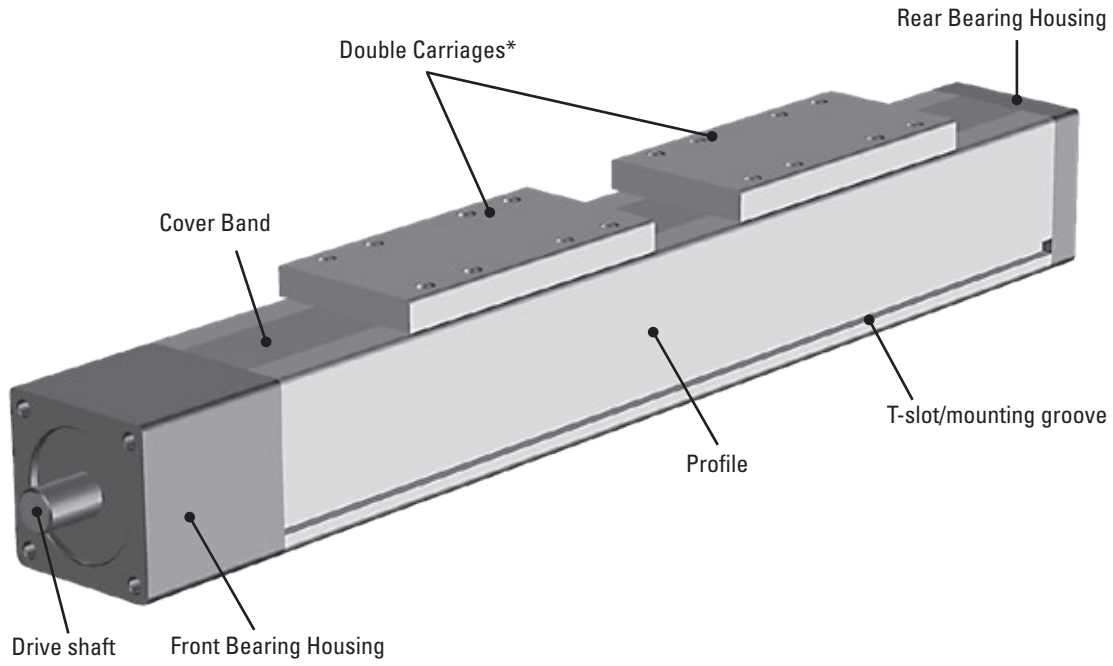
M75N, M100N								
1	2	3	4	5	6	7	8	9
MG10N00	SX	XXX	-04500	-04800	K	N	0000	S1
<p>1. Type of unit MG07N00 = M75N unit with slide guides MG10N00 = M100N unit with slide guides MF07N00 = M75N unit with ball guides MF10N00 = M100N unit with ball guides</p> <p>2. Transmission type SX = inline style, directly coupled, no RediMount flange</p> <p>3. RediMount motor ID code XXX = for units without RediMount flange</p>			<p>4. Maximum stroke (Smax) - xxxxx = distance in mm</p> <p>5. Total length of unit (L tot) - yyyyy = distance in mm</p> <p>6. Drive shaft / RediMount flange configuration K = no shaft or RediMount flange</p>			<p>7. Carriage configuration N = single standard carriage Z = double standard carriages</p> <p>8. Distance between double carriages 0000 = always for single carriages zzzz = distance in mm</p> <p>6. Protection option¹ S1 = wash down protection</p> <p>¹ Leave blank if no protection option required.</p>		



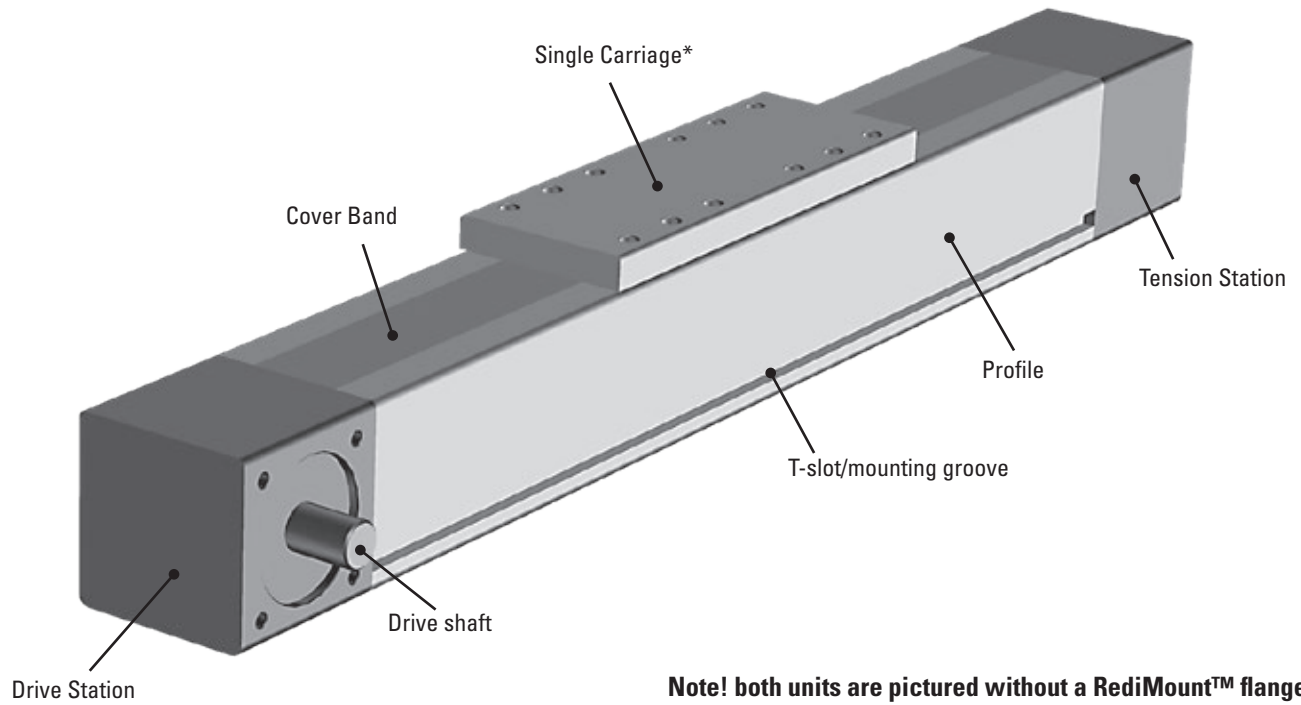
Terminology

Basic Linear Motion System Terminology

Screw Driven Unit



Belt Driven Unit



Note! both units are pictured without a RediMount™ flange

* Both screw and belt driven units can have single or double carriages.

Glossary

A - Belt D

Acceleration

Acceleration is a measure of the rate of speed change going from standstill (or a lower speed) to a higher speed. Please contact customer service if your application is critical to which acceleration rate is acceptable or needed.

Accuracy

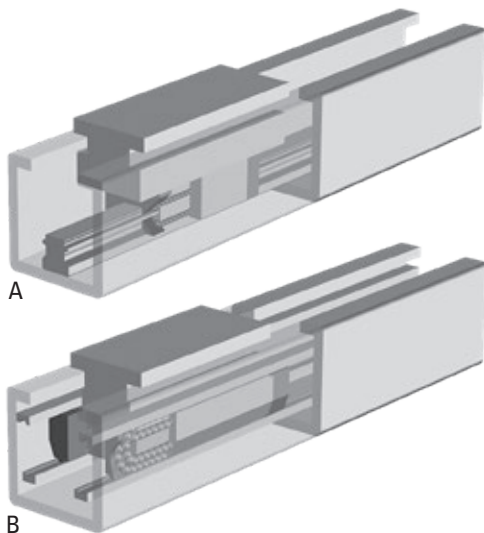
There are several types of accuracy and many different factors that will affect the overall accuracy of a system. Also see "Repeatability", "Positioning Accuracy", "Resolution", "Lead Accuracy" and "Backlash".

Backlash

Backlash is the stack up of tolerances (play) within the leadscrew/belt transmission assembly and gearing which creates a dead band when changing directions. The result is that the motor can rotate some before any motion can be seen on the carriage when reversing the direction of the motor rotation. The backlash varies depending of the linear motion system model.

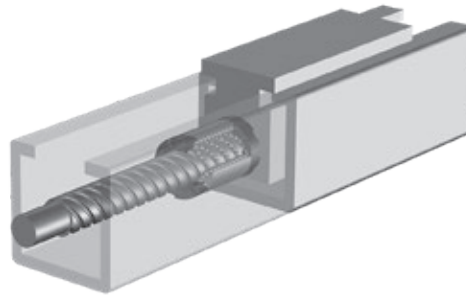
Ball Guides

A ball guide consists of a ball rail and a ball bushing. The ball rail is made of hardened steel and runs along the inside of the profile. The ball bushing is attached to the carriage of the unit and contains balls that roll against the rail. The balls in the bushing can be recirculating or have fixed ball positions depending on the type of ball guide. The recirculating type has a longer life and better load capability while the fixed type typically is much smaller. Thomson uses three major types of ball guides in its linear motion systems. Either the compact single rail type with recirculating ball bushing (A), the stronger double rail type also with recirculating ball bushings (B) or the fixed ball position ball bushings type (not shown) which require very little space and are used in the smallest units. Ball guides offer high accuracy, high loads and medium speed.



Ball Screw Drive

A ball screw is made up of a rotating screw and a moving ball nut. The ball nut is attached to the carriage of the unit. It does not have a normal thread, instead balls circulate inside the nut making it work as an efficient ball bearing that travels along the screw. Ball screws come in a large variety of leads, diameters and tolerance classes. The tolerance class (T3, T5, T7 or T9) indicates the lead tolerance of the screw. The lower the number, the higher the tolerance. High load capability and high accuracy are typical features of ball screw driven units.



Bearing Housing

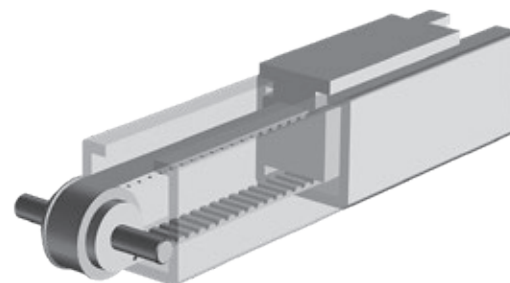
Screw driven units has two bearing housings, front and rear. The front bearing housing has a drive shaft while the rear has none. Sometimes however the rear housing can have an optional output shaft which is used to connect to an encoder.

Bell House Flange

A bell house flange is used when a motor should be connected directly to the drive shaft of a linear motion system, i.e when it is direct driven. The bell house has the bolt pattern of the motor flange in one end and the bolt pattern of the drive shaft flange in the other while the two shafts are joined by a coupling. Also see "Direct Drive".

Belt Drive

A belt drive consists of a toothed belt which is attached to the carriage of the unit. The belt runs between two pulleys positioned at either end of the profile. One pulley is attached to the motor via the drive shaft in the drive station while the other is mounted in a tension station. The belts are made of plastic reinforced with steel cords. High speeds, long stroke, low noise and low overall weight are typical features of belt driven units



Glossary

Belt G - C

Belt Gear

A belt gear consists of a timing belt that runs between two pulley wheels of different diameters. The difference between the diameters determines the gear ratio. Belt gears are quiet, have medium accuracy and require no maintenance but are susceptible to belt breakage under overload conditions.

Brake

None of the units are equipped with a brake or are self-locking which means that a vertical unit will drop the carriage/load if no external brake (such as a brake in the motor, etc.) is applied to the drive shaft. In the case of belt driven units care must be taken as the carriage/load will drop immediately in the case of a belt breakage. This is particularly important in vertical applications. You also may want to incorporate a brake in to the system to ensure fast and secure stops at an emergency stop or a power failure. In this case the brake should be of the failsafe type, i.e. a brake that is engaged when power is off and lifted when it is on.

Carriage

The carriage is the moving member which travel along the profile of the unit to which the load is attached. Some units can have multiple carriages in order to distribute the weight of the load over a greater distance, this will however reduce the available stroke for a given profile length. There are also units having the option of short or long carriage. The short can carry less weight than a standard one but has a slightly longer stroke for a given profile length while the longer works the other way around. It is possible to fix the carriage(s) to the foundation and let the profile act as the moving member if so desired. This is often the case in vertical applications where you let the profile lift and lower the load.

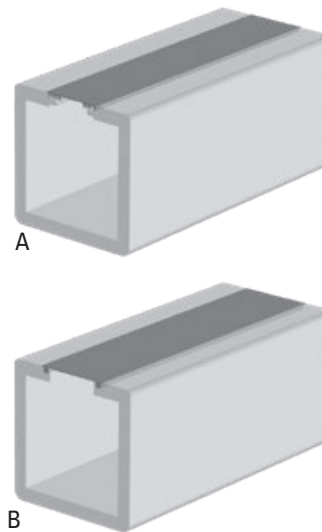
CE Certificate

Linear motion systems do not need and do therefore not have any CE certification. All Thomson linear motion systems are however designed in accordance with the CE regulations and comes with a manufacturers declaration to prove this. Once the linear motion system is used or made in to a machine it is the responsibility of the end customer to make sure the entire machine that the linear motion system is a part of is in accordance with the applicable CE regulations, produce the documents that proves this and apply a CE mark to the machine.

Cover Band

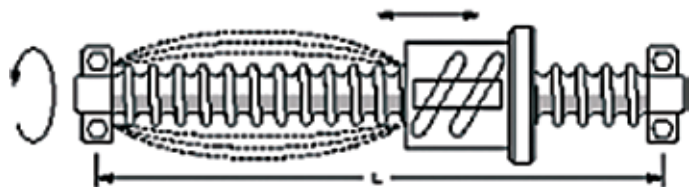
Cover bands are used on some units to protect them from the ingress of foreign objects through the opening in the profile where the carriage runs and can be made of plastic (A) or stainless steel (B). In the case of plastic the cover band seals the profile by snapping into small grooves running along the carriage opening. In the case of stainless steel the cover band seal the profile magnetically using magnet strips mounted on each side of the carriage opening. Some units also have a self-adjusting

cover band tensioning mechanism that eliminates any slack in the cover band that can occur from temperature changes, thus improving the sealing degree and the expected life of the cover band.



Critical Speed

All ball screws have a critical speed where the screw starts to vibrate and eventually bend or warp the screw. The exact limit is a function of how long the screw is and the speed. For some units this means that the allowed maximum speed found in the performance specifications can be higher than the critical speed when the stroke exceeds a certain distance. In this case, either the speed must be reduced to the critical speed, the amount of stroke must be reduced, or you must use the screw support option if the unit in question allows this. Otherwise you must select another unit that can manage the speed at that stroke. The critical speed limits can be found in the "Critical Speed" diagrams on the product pages of the units that this concern.



Customization

Despite the large range of linear motion systems offered by Thomson you may not find the exact unit to suit your application. But whatever your need is, Thomson is ready to help you to customize a unit according to your requirements. Please contact customer service for more information.

Cycle

One cycle is when the carriage has travelled back and forth over the complete stroke of the unit one time.

Glossary

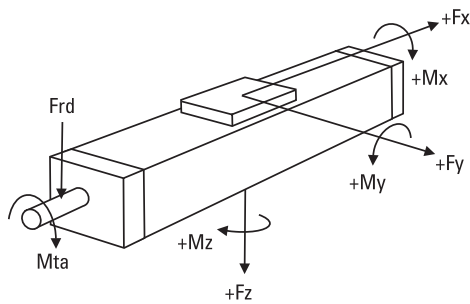
D - E

Deceleration

Deceleration is a measure of the rate of speed change going from a higher speed to a lower speed (or standstill). Please contact customer service if your application is critical to which deceleration rate is acceptable or needed.

Definition of Forces

The designations of the forces that acts on the unit are defined on the product page of each unit in the "Definition of Forces" drawing (see example below). Please always use the same definitions whenever communicating with Thomson.



Deflection of the Profile

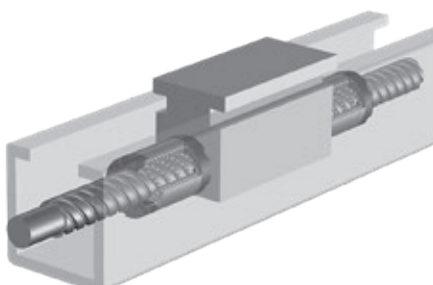
Some units require support along the whole profile whilst some are self-supporting over a specified span. Further details can be found on the product data pages. The recommended support intervals should be followed to minimize deflection of the unit. The maximum distance between the support points is shown on the product data pages. The deflection of the unit can also be calculated using the information in the "Additional data and calculations" section.

Direct Drive

Direct drive means that there is no gearing between the motor and the drive shaft of the linear motion system. Instead the motor is connected to the unit directly via a coupling and a bell house adapter flange. Also see "Bell House Flange".

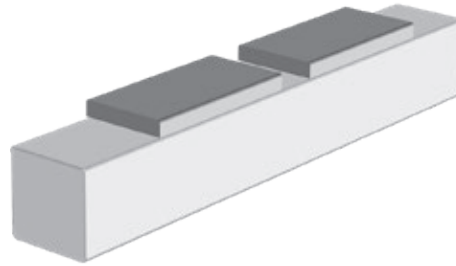
Double Ball Nuts

Using double ball nuts will increase the repeatability of the unit. The ball nuts are installed so that they are pre-tensioned against each other eliminating the play between the nuts and the screw. A double nut unit will have a slightly shorter stroke for a given overall length.



Double Carriages

Double carriage units have two carriages which gives them higher load capabilities than single carriage units. When ordering a double carriage unit the distance between the two carriages needs to be defined. This distance is called L_A or L_c depending on the model.



Drive Shaft

The drive shaft is the shaft to which the motor is connected, either directly, via a bell house flange or via a gear box. There are many sizes and types of drive shafts, such as shafts with or without key way or hollow shafts, depending on the type and size of the unit. Belt driven units can often have two drive shafts (same or different type and size), one on each side of the drive station, while screw driven only have one pointing out of the end of the unit. Customized drive shafts are possible, please contact customer service for more information.

Drive Station

The drive station is the mechanical assembly in one of the ends of a belt driven unit where the drive shaft is situated.

Duty Cycle

All units are designed for a 100% duty cycle. However, where the unit runs at extreme load, speed, acceleration and temperature or for long operating periods the expected life time may be reduced.

Encoder Feedback

Encoders provide a digital output signal in the form of a square shaped pulse train that can be used to determine the position of the extension tube. The encoder signal in a servo motor system is connected to the motion control so that it can control the servo drive and hence close the position feedback loop.

End of Stroke Limit Switches

If a unit runs at speed to the ends of its stroke there is a risk of damage. Damage can be prevented by using end of stroke limit switches to detect and engage a brake and/or cut power to the motor when the unit nears the end of the unit. You must ensure that there is sufficient distance between the end of stroke limit switch and the end of the unit, to allow the carriage to come to a complete stop before colliding with the end. The required stopping distance depends on the speed and the load and will have to be calculated for each application. The stopping distance must be taken into account when defining the necessary stroke.

Glossary

G - M

Guides

Guides are in essence a form of linear bearings on which the carriage(s) travel. Thomson uses three main types of guides that all have different characteristics and which to choose depends on the demands of the application. Also see "Ball Guides", "Slide Guides" and "Wheel Guides".

Idle Torque

Idle torque is the torque needed to move the carriage with no load in it by rotating the drive shaft. The idle torque will vary with the input speed and the idle torque tables on the product pages gives a value for some speeds. The value given in the table is for a unit having a single carriage of standard length. If you need the exact value for another speed, multiple carriages or short/long carriages, please contact our customer service.

Inertia

Inertia is the property of an object to resist speed changes and is dependent on the shape and the mass of the object. The inertia is important when sizing and selecting and also when tuning a servo system to optimum performance. Consult customer service for more information.

Input Shaft

The input shaft is the shaft to which the power source (motor) is connected to on a gear box. Primary shaft is another term for this. Sometimes the drive shaft on a linear unit also is referred to as the input shaft.

Input Speed

Input speed is the rotational speed that the drive shaft/input shaft of a linear motion system or a gear box is subjected to.

Installation and Service Manual

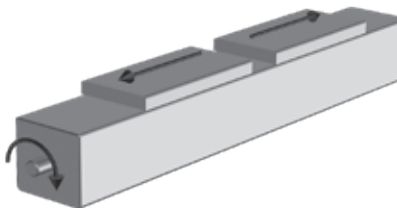
Each linear motion system has an installation and service manual to answer typical questions about mounting and servicing the unit.

Lead Accuracy

Lead accuracy is a measure of how accurate the lead of a ball screw is. For a ball screw with a lead of 25 mm, the screw should in theory move the nut 25 mm per each revolution. In reality there will be a deviation between the expected traveling distance and what is actually achieved. The deviation is typically for a ball screw 0,05 mm per 300 mm of stroke. Contact customer service for more information.

Left/right Moving Carriages

Units with left/right moving carriages have two carriages moving in opposite directions when the drive shaft is rotated. This type of unit has a ball screw where half of the screw has a left hand thread and the other half a right hand thread.



Lifetime Expectancy

When determining the lifetime for a linear motion system it is necessary to evaluate all forces and moments that are acting on the unit. The data and formulas given in this catalogue serve as a basis for this. For a more detailed lifetime calculation please use our sizing and selection software. Please contact us for further guidance.

Linear Lifting System

A linear lifting system is in essence a linear motion system specially designed for vertical lifting applications. Some units can be used in horizontal applications as well under certain criteria. Please contact us if you plan to mount a lifting unit in any other position than vertically with the load carrying plate pointing down.

Linear Motion System

A linear motion system is a mechanical assembly that translates the rotating motion of a motor to the linear motion of a carriage that travel along a load supporting beam/profile. Other names for linear motion systems are linear units, linear drive units and rodless actuators among others.

Load Rating

There are many types of load ratings that all needs to be considered. Normally when you speak about the load you refer to the load that the carriage will move; which is the dynamic load. But there may also be static, side, moment and forces from acceleration, deceleration, gravity and friction that are all equally important. For some units the load and load torque values are given for both the complete unit and the guiding system. The values for the complete unit are the values under which the unit can operate. The values for the guiding system should only be used when comparing different units and do not describe the actual performance of the complete unit.

Maintenance

Most units require lubrication. General lubrication requirements can be found in the general specifications table on the product data pages. The lubrication intervals, grease qualities and specific lubrication instructions can be found in the installation and service manual of each unit. No other regular maintenance is needed except for normal cleaning and inspection. Units with a cover band may also require irregular cover band replacement due to wear. The belt in belt driven units should not require re-tensioning under normal operating conditions.

Manufacturers Declaration

All Thomson linear motion systems comes with a manufacturers declaration to prove that it is built according to the CE regulations.

Mounting

Most units can be mounted in any direction. Any restrictions on mounting positions are shown on the product presentation pages at the beginning of each product category chapter. Even where units may be mounted in any direction there are some considerations. None of the units are self-locking which means that a vertical unit will drop the carriage/load if no

Glossary

N - Sc

external brake (such as a brake in the motor, etc.) is applied to the drive shaft of the unit. In the case of belt driven units care must be taken as the carriage/load will drop immediately in the case of a belt breakage. This is particularly important in vertical applications. All ball screw driven units are equipped with a safety nut to prevent the carriage/load being released in case of ball breakage.

Non-driven Linear Motion Systems

A non-driven linear motion system has no drive shaft or any type of transmission. In reality a non-driven linear motion system is a guide that has the same look and outer dimensions as the driven version. Normally a non-driven unit is used together with a parallel working driven unit that are mechanically linked where the non-driven unit help to share to load with the driven one.

Non-guided Linear Motion Systems

A non-guided linear motion system has a drive shaft and a ball screw but no guides. In reality a non-guided linear motion system is a enclosed ball screw assembly with a carriage that has the same look and outer dimensions as the driven version. Using a non-guided unit requires some kind of external guide to which the carriage can be attached.

Operation and Storage Temperature

Operational temperature limits can be found in the performance tables on the product data pages. Units can be stored or transported within the same temperature range. Please contact us if the unit will be exposed to higher/lower temperatures than recommended during storage or transportation.

Output Shaft

The output shaft is the shaft on a gear box that is connected to object being driven by the gear box. Another term for output shaft is secondary shaft.

Packages and Multi Axis Kits

Thomson can offer complete pre-defined packages (linear motion system, gear and servo motor assembled and shipped with servo drive and cables) as well as mounting kits for the creation of two and three axis systems. Please contact us for further information.

Positioning Accuracy

Positioning accuracy is the error between the the expected and actual position and is the sum of all factors that will reduce the accuracy (i.e. repeatability, backlash, resolution, screw/belt accuracy, and the accuracy of the motor, drive and motion control system). Some of these factors, such as backlash and lead accuracy, can sometimes be compensated for in the software of the motion control system being used. Also see "Accuracy".

Position Feedback

The position of the carriage/rod/lifting profile can be obtained in many ways. The most common way is to equip the unit with an encoder or to use a motor which has a built in feedback device (encoder, resolver, etc.). To many units there are encoders or/and encoder mounting kits available. See the accessory chapter.

Repeatability

Repeatability is the ability for a positioning system to return to a location when approaching from the same distance, at the same speed and deceleration rate. Some of the factors that affect the repeatability are the angular repeatability of the motor, drive and motion control system, system friction and changes in load, speed and deceleration.

Resolution

Resolution is the smallest move increment that the system can perform. Some of the factors that affect the resolution are the angular repeatability of the motor, drive and motion control system, system friction, the drive train reduction, the lead/type of the ball screw/belt and changes in load, speed and deceleration.

Resolver

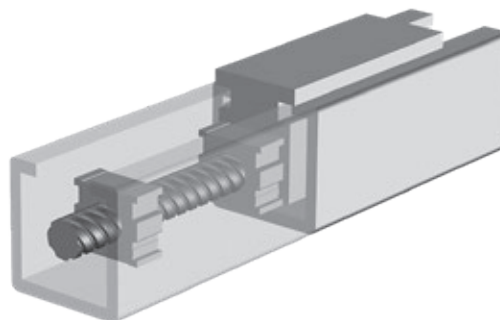
A resolver is basically a type of rotary electrical transformer used for measuring degrees of rotation and are commonly used on AC servo motors as a feedback device to control the commutation of the motor windings. The resolver is mounted to the end of motor shaft and when the motor rotates the resolver will transmit the position and direction of the rotor to the servo drive which then can control the motor. Most servo drives for AC servo motors on the market today can convert the resolver signal in to a pulse train (encoder signal simulation) which can be used by a motion control to determine and control the position of the motor. Also see "Encoder Feedback".

RoHS Compliance

The RoHS directive stands for "the restriction of the use of certain hazardous substances in electrical and electronic equipment". This directive bans the placing on the EU market of new electrical and electronic equipment containing more than agreed levels of lead, cadmium, mercury, hexavalent chromium, polybrominated biphenyl (PBB) and polybrominated diphenyl ether (PBDE) flame retardants. All linear motion systems and accessories sold in the EU are RoHS compliant.

Screw Supports

Screw supports allow screw driven units to travel at high speed even when stroke becomes longer. The supports reduce the unsupported length of the screw, that otherwise would be subjected to vibrations. Screw supports come in single (one screw support on each side of the carriage) or double (two supports on each side) versions. Screw support units will have a slightly shorter stroke for a given overall length.

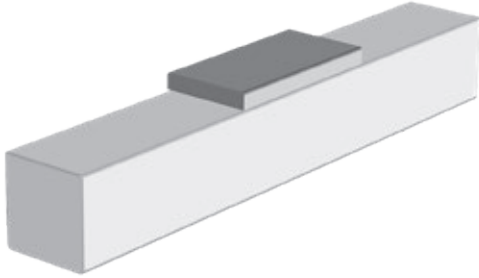


Glossary

Si - W

Single Carriage

Single carriage units have one carriage. Some linear motion system models also have the option of long or short single carriages. The long carriages handle higher loads but will have a longer overall length for a given stroke.

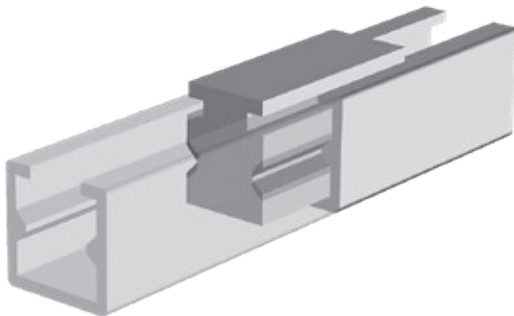


Sizing and Selection

This catalog can give you an overview of what Thomson can offer you and an indication of which products that may suit your application. But in order to get the best solution it is necessary to know your specific application and to carry out detailed sizing and selection calculations. Please contact customer service for further help.

Slide Guides

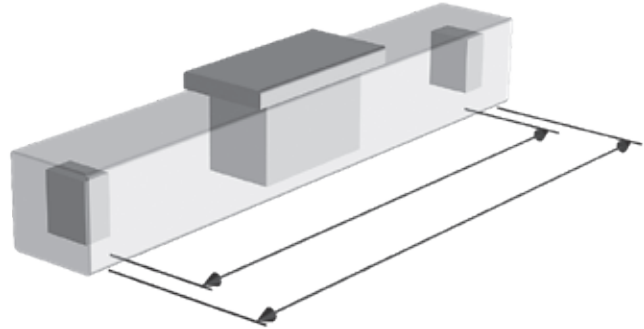
A slide guide consists of a guide attached to the inside of the profile and a slide bushing attached to the carriage. The guide can be made of different materials (e.g. polished hardened steel, anodized aluminum) while the bushing is made of a polymer material. There are two types of bushings, fixed and prism. Prism bushings can move in relation to the guide which results in longer life and higher load capabilities. Slide bushings are silent, simple, reliable and robust and can be used in dirty and dusty environments. They are also resistant to shock loads, have a long life expectancy and require little or no maintenance.



Stroke

The theoretical maximum stroke (S_{max}) is the length that the carriage can travel from one end of the unit to the other. However, using the maximum stroke means that the carriage will collide with the ends of the profile. The practical stroke is therefore shorter. We recommend that you specify a unit that have at least 100 mm longer stroke than the maximum stroke you need so that the unit can stop before colliding with

the ends and also allow for some adjustment of the unit position at the mounting.

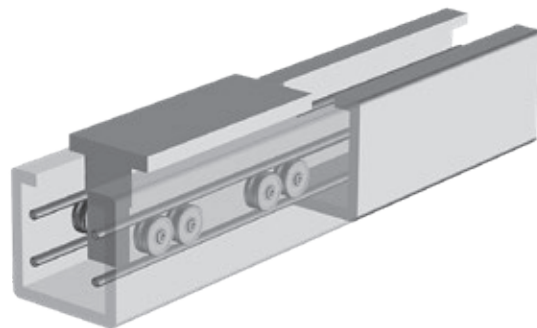


Tension Station

The tension station is the mechanical assembly situated in the opposite end of the drive station on a belt driven unit. The tension station has a mechanism that allows the belt pulley position to be adjusted thus changing the tension of the belt. Adjustment of the belt tension is normally only necessary when replacing a broken or worn out belt with a new.

Wheel Guides

A wheel guide consists of ball bearing wheels that run on a hardened steel rail. Wheel guides are a simple and robust guiding method offering high speeds, high loads and medium accuracy.



Working Environment

All units are designed for use in normal industrial environments. Units which have an open profile (i.e. have no cover band) are more sensitive to dust, dirt and fluids. These units require some kind of cover if they are used in environments where dust, dirt or fluids are present. Wash down or enhanced wash down protection can be ordered for our closed profile units. Please refer to the accessory pages. In all cases where a unit will be exposed to aggressive chemicals, heavy vibrations or other potentially harmful processes we recommend that you contact us for further advice.

USA, CANADA and MEXICO

Thomson
203A West Rock Road
Radford, VA 24141, USA
Phone: 1-540-633-3549
Fax: 1-540-633-0294
E-mail: thomson@regalrexnord.com
Literature: literature.thomsonlinear.com

EUROPE

United Kingdom

Thomson
Office 9, The Barns
Caddsdow Business Park
Bideford, Devon, EX39 3BT
Phone: +44 1271 334 500
E-mail: thomson.europe@regalrexnord.com

Germany

Thomson
Nürtinger Straße 70
72649 Wolfschlügen
Phone: +49 7022 504 403
Fax: +49 7022 504 405
E-mail: thomson.europe@regalrexnord.com

France

Thomson
Phone: +33 243 50 03 30
E-mail: thomson.europe@regalrexnord.com

Italy

Thomson
Via per Cinisello 95/97
20834 Nova Milanese (MB)
Phone: +39 0362 366406
Fax: +39 0362 276790
E-mail: thomson.italy@regalrexnord.com

Sweden

Thomson
Bredbandsvägen 12
29162 Kristianstad
Phone: +46 44 590 2400
Fax: +46 44 590 2585
E-mail: thomson.europe@regalrexnord.com

ASIA

Asia Pacific

Thomson
E-mail: thomson.apac@regalrexnord.com

China

Thomson
Rm 805, Scitech Tower
22 Jianguomen Wai Street
Beijing 100004
Phone: +86 400 606 1805
Fax: +86 10 6515 0263
E-mail: thomson.china@regalrexnord.com

India

Kollmorgen – Div. of Altra Industrial Motion
India Private Limited
Unit no. 304, Pride Gateway, Opp. D-Mart,
Baner Road, Pune, 411045
Maharashtra
Phone: +91 20 67349500
E-mail: thomson.india@regalrexnord.com

South Korea

Thomson
3033 ASEM Tower (Samsung-dong)
517 Yeongdong-daero
Gangnam-gu, Seoul, South Korea (06164)
Phone: + 82 2 6001 3223 & 3244
E-mail: thomson.korea@regalrexnord.com

SOUTH AMERICA

Brazil

Thomson
Av. João Paulo Ablas, 2970
Jardim da Glória - Cotia SP - CEP: 06711-250
Phone: +55 11 4615 6300
E-mail: thomson.brasil@regalrexnord.com

www.thomsonlinear.com

Linear_Motion_Systems_CTEN-0008-06 | 20231220SK

Specifications are subject to change without notice. It is the responsibility of the product user to determine the suitability of this product for a specific application. All trademarks property of their respective owners.
©2023 Thomson Industries, Inc.



Linear Motion. Optimized.™

A REGAL REXNORD BRAND