

Installation Instructions for RAB Series Permanent Magnet Power Off Brakes

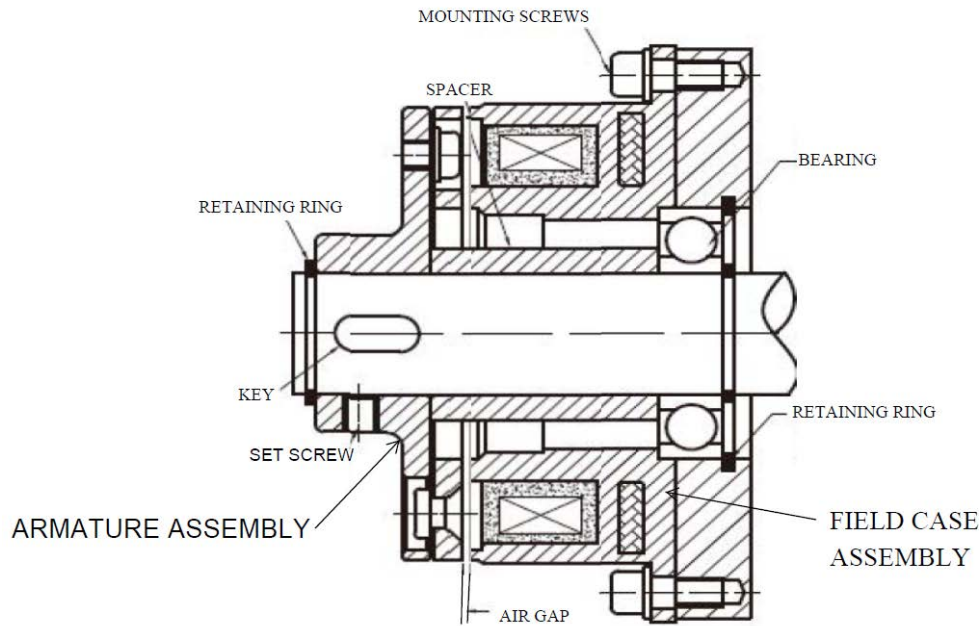


FIGURE 1

- See Figure 1 for configuration of suggested installation.
- Remove brake from packaging.
- Separate field case assembly from armature assembly (energize if necessary). Unit will clamp together with no power (BE CAREFUL).
- Supply voltage should not vary more than $\pm 10\%$. The positive electrode is in red while the negative one is in black.
- Mount case assembly to mounting surface. Mounting hole bolt circle should be concentric, parallel and flat to shaft.005" TIR
- Slide armature assembly onto shaft (keeping brake energized).
- Set air gap to 0.008-0.015" (may adjust to release and engage properly). Attached setscrews.
- Use pure DC power or full-wave-rectified DC.
- Avoid any oil, water or debris from contaminating friction surfaces.
- Units are shipped without run-in/burnishing. You may need to turn by hand several revolutions to obtain proper torque.